

MODEL NO. 60005 Universal Deck Support

PARTS LIST

DESCRIPTION	No. REQ'D	PART NUMBER
Universal Deck Center Support	1	305825
Hardware Complete	1	305905
3/8" x 3/4" P.B.H.C.S. w/ Patch	10	812052*
3/8" Lockwasher	11	817334*
3/8" Flat Washer	1	817410*
3/8" (1 1/4" O.D.) Flat Washer	10	817424*
3/8" Hex Nut	1	804053*
3/8" T-Nut	10	804556*

**Unless Otherwise Specified, All Units of Measure are Each
*Included in Hardware**

Warning: Small parts and hardware items may present a potential choking hazard. Promptly remove all unused parts from play area. Any bolt end protruding more than two full threads beyond the face of the nut causes risk of clothing entanglement. Promptly cut-off flush, file smooth, and treat to prevent corrosion.

Note: Peen Tee-Nuts and Flatwashers to match radius of pipe after assembly is complete.

Note: Loctite (supplied by others) should be used on any non-patch hardware.

SPECIFICATIONS:

Universal deck support is a one piece weld assembly fabricated from 2 3/8" O.D. galvanized tubing, 1/4" thick deck support plate and 3/8" thick round filler plate. Support receives a baked on powder coated finish.

Primary hardware is stainless steel.

INSTALLATION INSTRUCTIONS:

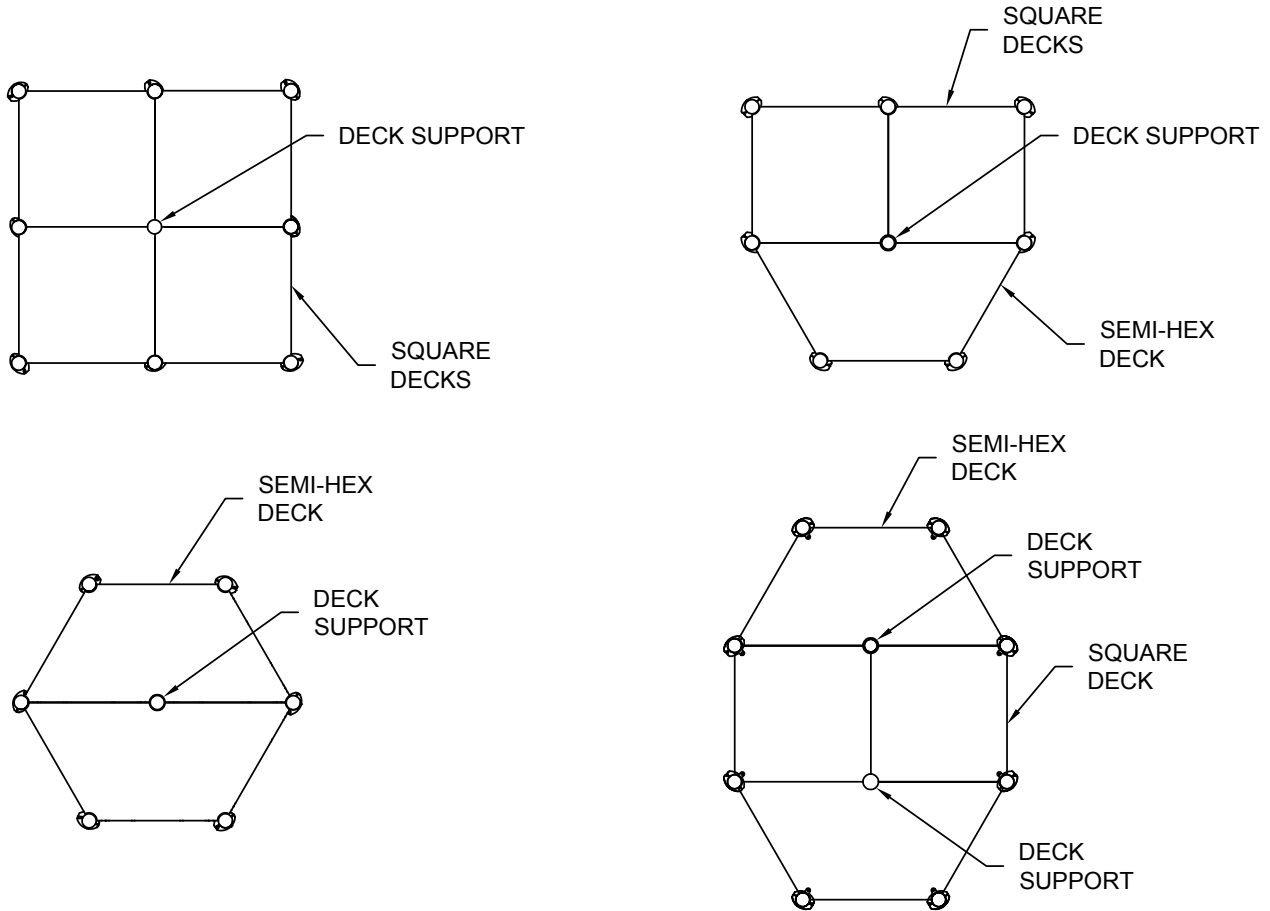
Note: Universal Deck Support is required for installing different deck configurations at the same height.

1. Locate flush mounted decks to receive deck support. Refer to overall top view. Support provided is for a 8' deck height, for lower deck heights support will require cutting to a length equal to the deck height needed plus 30". For example, a 4' deck height will need the support cut to a length of 78".
2. Dig footing for Support as shown in footing detail.
2. Attach deck support to one of the deck bolts using 3/8" Flatwasher (817410), 3/8" Lockwasher (817334) and 3/8" Hex Nut (804053). Refer to detail "A". Cut off all unused deck bolts and excess threads from deck bolt used for attachment to prevent protrusion.
3. Attach decks together using 3/8" x 3/4" P.B.H.C.S (812052), 3/8" Lockwasher (817334), 3/8" (1 1/4" O.D.) Flatwashers (817424) and 3/8" T-Nut (804556). Refer to detail "B". Note: 2 connections per deck side.

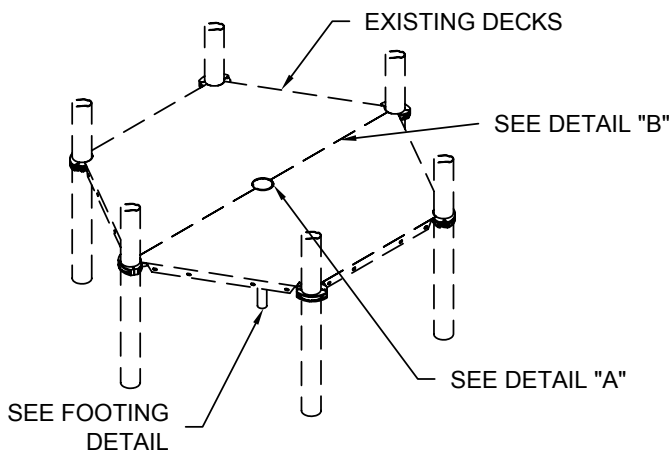
MAINTENANCE PROCEDURE:

Periodically check hardware for tightness, and tighten as necessary. Always check all parts for breakage or wear, and immediately put equipment out of service until any faulty parts found are repaired or replaced. Check for rust or paint loss and touch-up if necessary with paint. Check welded areas and verify integrity. Check Plastisol-coating for bare spots and touch-up with Plastisol if necessary. Clear any trapped debris from deck perforations. Check periodically resilient surfacing for appropriate depth and remove extraneous materials that could cause injury, infection, or disease. Maintain detailed installation, inspection, maintenance, and repair records for each public-use playground equipment.

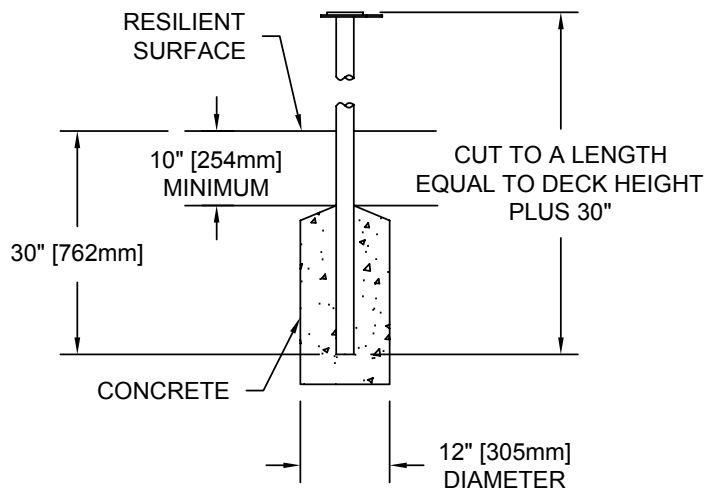
MODEL NO. 60005 Universal Deck Support



DECK CONFIGURATIONS

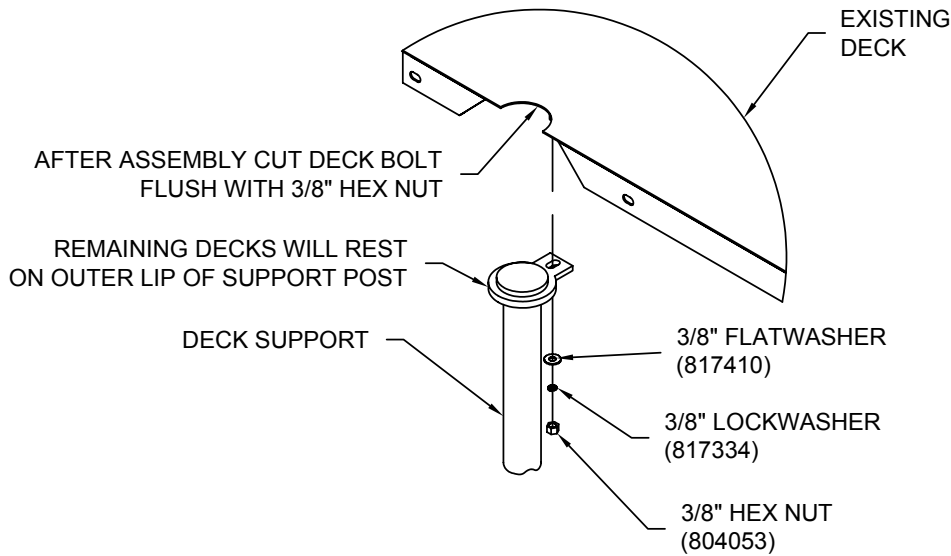


FINISHED ASSEMBLY
TWO SEMI-HEX DECKS SHOWN
OTHERS SIMILAR

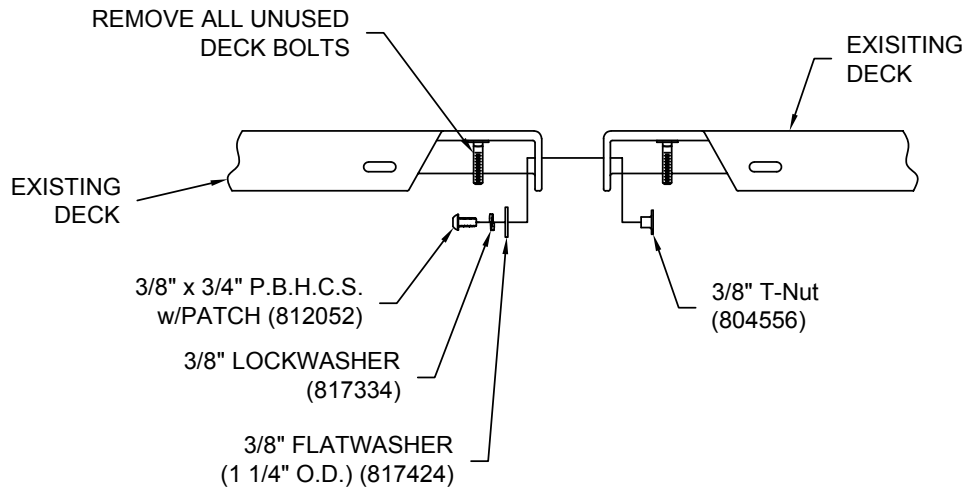


FOOTING DETAIL

MODEL NO. 60005 Universal Deck Support



DETAIL "A"



DETAIL "B"