

MODEL NO. 60018 SUPERMAX SCOOP LOOP CLIMBING LINK PARTS LIST

DESCRIPTION	No. REQ'D	PART NUMBER
Scoop Loop Link Frame	1	302465
Entrance Barrier	4	302460
Hardware Complete	1	302469
5" O.D. Deck Clamp	4	301989*
1/4" x 3/4" Drive Rivet	4	168449*
3/8" Barrel Nut	4	804804*
3/8" Flatwasher	12	817410*
3/8" Heavy Hex Nut	4	804200*
3/8" x 1 1/2" P.B.H.C.S. w/Patch	12	812053*
3/8" x 1 3/4" P.B.H.C.S. w/Patch	4	812054*
3/8" Lock Nut	8	804353*
3/8" Flatwasher (1 1/4" O.D.)	8	817424*

*Unless Otherwise Specified, All Units of Measure are Each
Included in Hardware

Warning: Small parts and hardware items may present a potential choking hazard. Promptly remove all unused parts from play area.

SPECIFICATIONS:

Clamps are cast from a 356 high-strength aluminum alloy with a baked-on polyester powder-coated finish.

Scoop Loop Link Frame is fabricated from 2-3/8" O.D. 10-gauge, 1-5/16" O.D. 14-gauge galvanized steel tubing with 3/16" yellow-zinc coated flat steel. Entrance Barrier Wall is fabricated from 1-5/16" O.D. 14-gauge galvanized steel tubing with 3/16" yellow-zinc coated 'L'-fitting for attachment. All welding is stainless steel. All metal parts are received a baked-on polyester powder-coated finished after fabrication.

All hardware is stainless steel.

Weight: 224 lb. / 101.8 kg

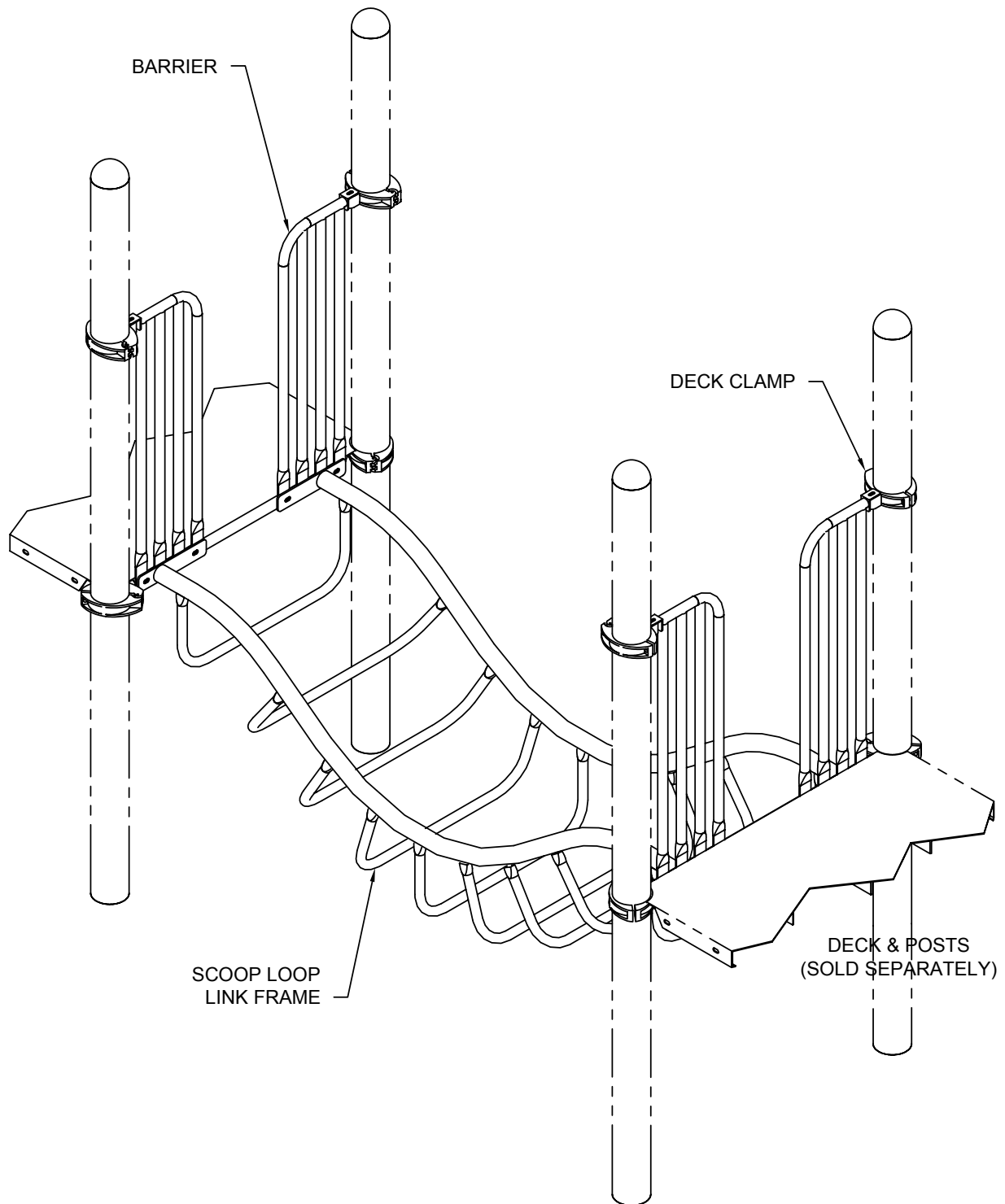
INSTALLATION INSTRUCTIONS:

1. Dig footings as shown in the Footing Diagram. Refer to your overhead drawing for location.
2. Attach Entrance Barrier Wall to Posts using Deck Clamps, 3/8" x 1-3/4" Hex-Pinned Tamper-Resistant Bolts with 3/8" Flat Washers and 3/8" Barrel Nuts as shown.
3. Attach Scoop Loop Link Frame to Deck's flanges using 3/8" x 1-1/2" Hex-Pinned Tamper-Resistant Bolts with 3/8" Flat Washers and 3/8" Lock Nuts with 3/8" Wide Flat Washers as shown.
4. Plumb and level the entire Scoop Loop Link and pour concrete footings within 4" to the top of posts and taper away for water drainage. Allow to cure at least 48" hours before use.
5. When the assembly is finished and satisfactory, install Drive Rivets in all clamps to ensure clamps cannot slide down posts. Refer to Deck Clamp sub-assembly sheet for details. It is very important that all Drive Rivets be installed before allowing use of the equipment, as clamps are not designed to support substantial weight without them. Also eliminate sharp points and sharp edges (burring) on installed hardware like bolts, nuts, etc. Install resilient surfacing material within the use zone of play structure in accordance with ASTM specifications F1292 appropriate for the fall height of each structure. Refer to the Safety Guidelines.

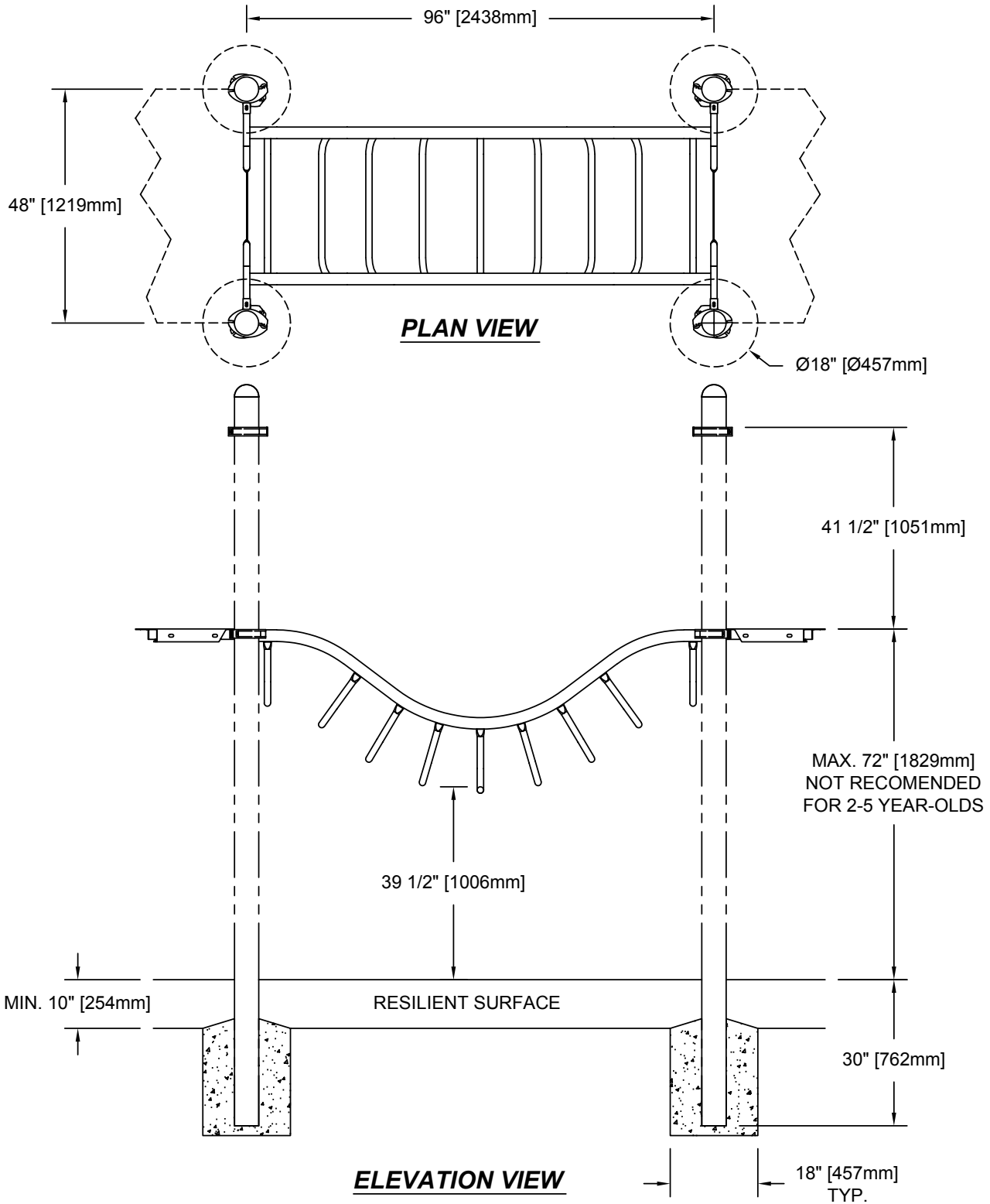
MAINTENANCE PROCEDURE:

Periodically check hardware for tightness, and tighten as necessary. Always check all parts for breakage or wear, and immediately put equipment out of service until any faulty parts found are repaired or replaced. Also Check all metal parts for rust, paint loss and touch-up if necessary with paint. Check for welded areas and verify integrity. Check periodically resilient surfacing for appropriate depth and remove extraneous materials that could cause injury, infection, or disease. Maintain detailed installation, inspection, maintenance, and repair records for each public-use playground equipment.

MODEL NO. 60018 SUPERMAX SCOOP LOOP CLIMBING LINK



MODEL NO. 60018 SUPERMAX SCOOP LOOP CLIMBING LINK



MODEL NO. 60018 SUPERMAX SCOOP LOOP CLIMBING LINK

