

MODEL NO. 60023 Supermax No-Deck Chain Bridge

PARTS LIST

DESCRIPTION	No. REQ'D	PART NUMBER
Support Pipe w/8 Loops	2	301252
2 3/8" O.D. Beam	2	302153
Pipe Rail w/L-Fittings	4	306970
Plastisol Coated Chain	1	302478
Hardware Complete	1	302127
5" O.D. Deck Clamp	8	301989*
5" O.D. Half Clamp	12	301001*
1/4" x 3/4" Drive Rivet	20	168449*
1/4" x 1/2" Drive Rivet	4	805301*
3/8" Barrel Nut	8	804804*
3/8" Flat Washer	56	817410*
3/8" Heavy Hex Nut	32	804200*
3/8" x 1 1/2" P.B.H.C.S. w/Patch	32	812053*
3/8" x 1 3/4" P.B.H.C.S. w/Patch	8	812054*

*Unless Otherwise Specified, All Units of Measure are Each
Included in Hardware

Warning: Small parts and hardware items may present a potential choking hazard. Promptly remove all unused parts from play area. Any bolt end protruding more than two full threads beyond the face of the nut causes risk of clothing entanglement. Promptly cut-off flush, file smooth, and treat to prevent corrosion.

Note: Peen Tee-Nuts and Flatwashers to match radius of pipe after assembly is complete.

Note: Loctite (supplied by others) should be used on any non-patch hardware.

SPECIFICATIONS:

Clamps are cast from a 356 high-strength aluminum alloy and coated with a baked-on polyester powder-coated finish. Pipe Rails are made from 1-5/16" O.D. galvanized steel tubing with 'L' Fittings. Support Pipes are made from 2-3/8" O.D. galvanized steel tubing with one 5" O.D. Half Clamp welded at each end. Small 'V' Loops are made from 3/8" stainless steel rod and are welded to Support Pipes and Beams at intervals. All metal parts receive a baked-on polyester powder-coated finish after fabrication. Chains are pre-cut to specified size from 1/4" 5/0 proof-coil galvanized chain and welded crossings with one 'S' hook factory attached to each end and crimped. Chains are Plastisol-Coated to eliminate pinch-points.

Primary hardware is stainless steel.

Weight: 225 lbs. / 102.3 kg.

Installation Instructions:

1. Locate the four Upright Posts intended to receive the Chain Bridge by referring to your overhead drawing. They should be spaced 8' apart lengthwise and 4' apart widthwise.
2. Fasten Support Pipes w/loops and Beams w/loops to Posts at heights shown, using 5" O.D. Half Clamps, 3/8" x 1-1/2" P.B.H.C.S. w/ Patch with 3/8" Flat Washers and 3/8" Heavy Hex Nuts with 3/8" Flat Washers. Slightly tighten Clamps. See Detail "B".
3. Attach Chain Assembly so that the open ends of the coated 'S' hooks enter the loops of the Support Pipes and Beams (some heavily coated 'S' hooks may need to be shaved slightly to pass through the loops). Plumb and level the assembly and **FULLY CRIMP SHUT ALL 'S' HOOKS.**
4. Attach Deck Clamps to Upright Posts at heights shown using 3/8" x 1-1/2" P.B.H.C.S. w/ Patch and 3/8" Heavy Hex Nuts (Refer to Deck Clamp Sub-Assembly Sheet for Detail). Slightly tighten Clamps. Attach Pipe Rails to Clamps using 3/8" x 1-3/4" P.B.H.C.S. w/ Patch, 3/8" Flatwashers and 3/8" Barrel Nuts. See Detail "A". Plumb and level the Chain Bridge and fully tighten all Clamps and fasteners.

MODEL NO. 60023 Supermax No-Deck Chain Bridge

5. When the structure is finished and satisfactory, install Drive Rivets in half clamps to ensure clamps cannot slide down posts. See a Deck Clamp subassembly sheet. **It is very important that all Drive Rivets be installed prior to allowing use of the equipment, as clamps are not designed to support substantial weight without them.** Eliminate sharp points and sharp edges (burring) on installed hardware like bolt, nuts, etc. Install resilient surfacing material under and around all equipment before allowing use. Refer to the *Safety Guidelines*.

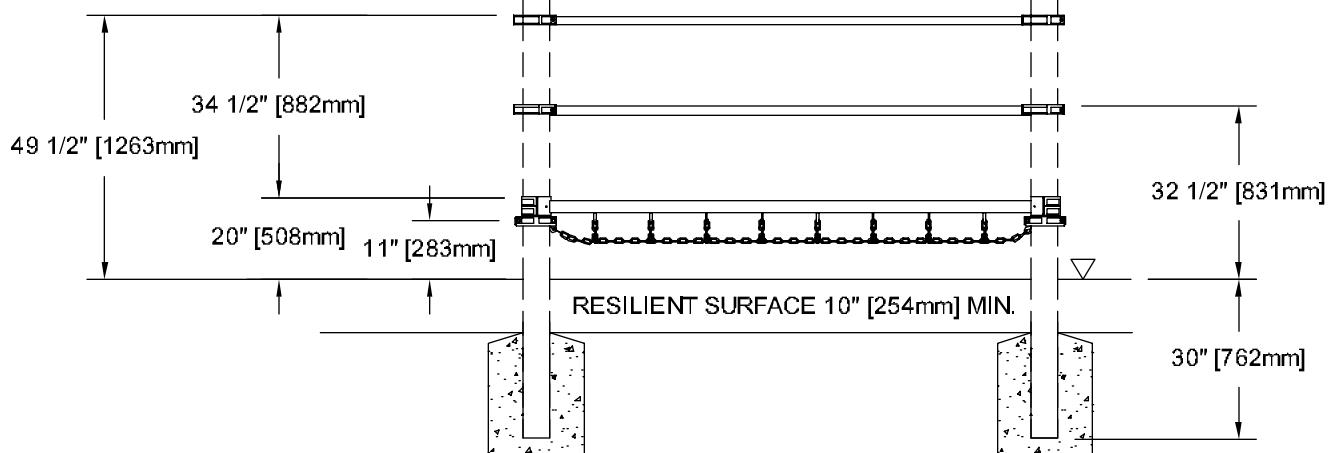
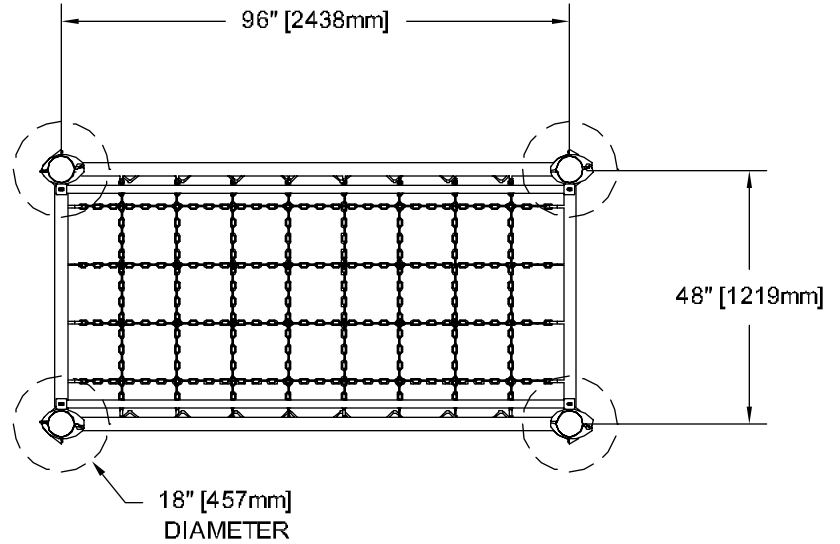
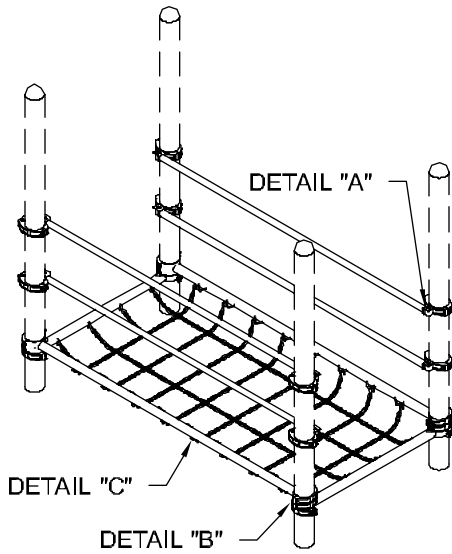
Note: To cushion accidental falls by children, **Park structures**, strongly recommends that the area under and around the play structure must be covered with a resilient material, such as sand, mulch, etc., to a minimum depth of 10" for sand. Approved rubber safety matting can also be used. For details, please refer to your Safety Guidelines, provided within the assembly instruction packet.

MAINTENANCE PROCEDURE:

Periodically check hardware for tightness, and tighten as necessary. Always check all parts for breakage or wear, and immediately put equipment out of service until any faulty parts are repaired or replaced. Check all decks for Plastisol-coating peeling and touch-up with Plastisol if necessary. Check for holes on deck, clean if necessary. Check periodically resilient surfacing for appropriate depth and remove extraneous materials that could cause injury, infection, or disease. Maintain detailed installation, inspection, maintenance, and repair records for each public-use playground equipment.

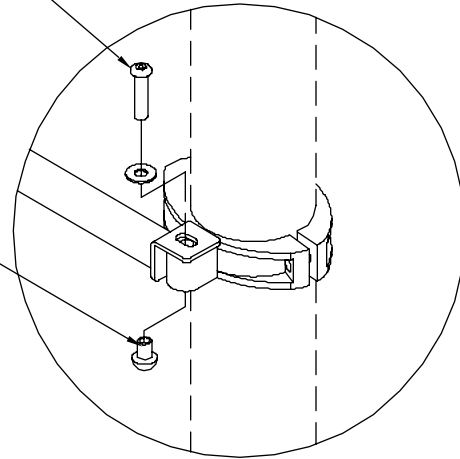
MODEL NO. 60023 Supermax No-Deck Chain Bridge

5" O.D. POSTS
(SOLD SEPARATELY)



MODEL NO. 60023 Supermax No-Deck Chain Bridge

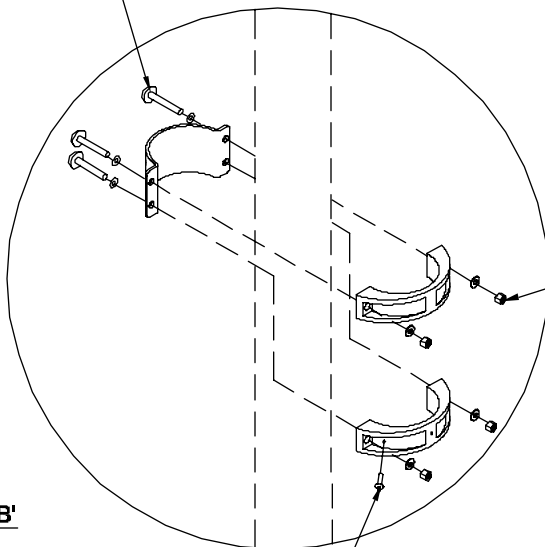
3/8" X 1 3/4" P.B.H.C.S.
w/PATCH (812054) w/
3/8" FLAT WASHER
(817410) TYP.



DETAIL 'A'

3/8" BARREL
NUT (804804)

3/8" X 1 1/2" P.B.H.C.S.
w/PATCH (812053) w/
3/8" FLAT WASHER
(817410) TYP.



DETAIL 'B'

3/8" HEAVY HEX
NUT (804200) w/
3/8" FLAT
WASHER
(817410) TYP.

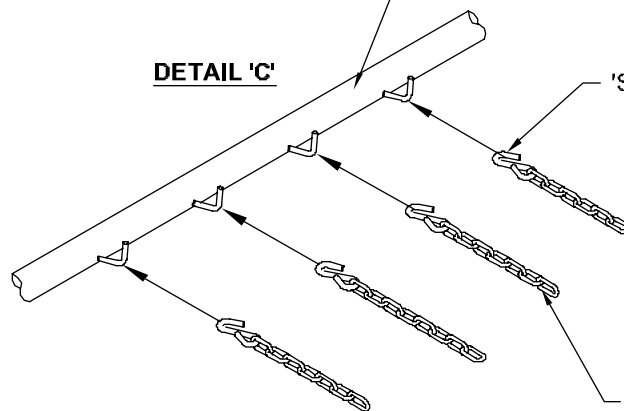
3/8" DRIVE RIVET
(168449) TYP.

BEAM w/
'V' LOOPS

DETAIL 'C'

'S' HOOK

**FULLY CRIMP SHUT
ALL 'S' HOOKS BEFORE
ALLOWING USE.**



CHAIN