

MODEL NO. 60026 Supermax Vertical Ladder

PARTS LIST

DESCRIPTION	No. REQ'D	PART NUMBER
Entrance Barrier Wall	1	306932
Step Panel	1	302573
Hardware Complete	1	302209
5" O.D. Deck Clamp	2	301989*
Flat Bracket	2	300980*
1/4" x 3/4" Drive Rivet	2	168449*
3/8" Heavy Hex Nut	2	804200*
3/8" Barrel Nut	12	804804*
3/8" Flatwasher (1 1/4" O.D.)	8	817424*
3/8" Flat Washer	10	817410*
3/8" Lock Nut	4	804353*
3/8" x 3/4" P.B.H.C.S. w/Patch	4	812052*
3/8" x 1" P.B.H.C.S. w/Patch	8	812050*
3/8" x 1 1/2" P.B.H.C.S. w/Patch	2	812053*
3/8" x 1 3/4" P.B.H.C.S. w/ Patch	2	812054*

*Unless Otherwise Specified, All Units of Measure are Each
Included in Hardware

Warning: Small parts and hardware items may present a potential choking hazard. Promptly remove all unused parts from play area. Any bolt end protruding more than two full threads beyond the face of the nut causes risk of clothing entanglement. Promptly cut-off flush, file smooth, and treat to prevent corrosion.

Note: Peen Tee-Nuts and Flatwashers to match radius of pipe after assembly is complete.

Note: Loctite (supplied by others) should be used on all threaded hardware.

INSTALLATION INSTRUCTIONS:

NOTE: The Vertical Ladder HDPE is designed to accommodate the difference of 16" between decks.

STEP 1: Determine which deck is to receive the 16" Vertical Ladder. Refer to your overhead drawings for location.

STEP 2: Attach the Flat Brackets to the Step Panel and attach assembly to the lower deck using 3/8" x 3/4" P.B.H.C.S. w/ Patch, 3/8" x 1" P.B.H.C.S. w/ Patch, 3/8" Flatwashers, 3/8" Barrel Nuts and 3/8" Lock Nuts as shown in the Assembly Drawing.

STEP 3: Attach the Entrance Barrier Wall to the Deck Clamps using 3/8" x 1 3/4" P.B.H.C.S. w/ Patch, 3/8" Flatwasher and 3/8" Barrel Nut. Attach assembly to the upright posts using deck clamps at the required height as shown in the Elevation View (refer to Deck Clamp Sub-Assembly Sheet).

STEP 4: Attach Entrance Barrier Wall and Step Panel to the upper deck using 3/8" x 1" P.B.H.C.S. w/ Patch, 3/8" Flatwasher and 3/8" Barrel Nut as shown in the Assembly Drawing.

MODEL NO. 60026 Supermax Vertical Ladder

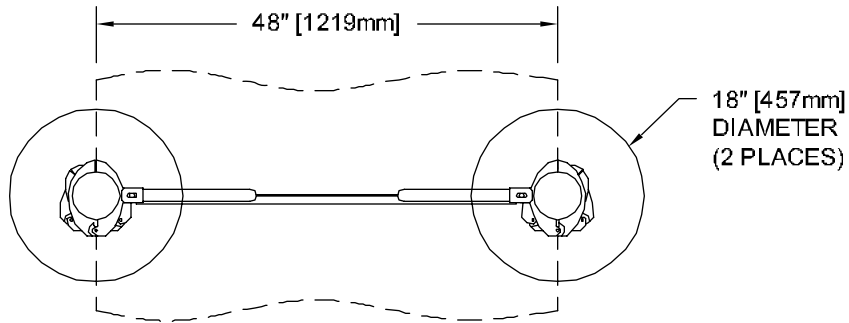
STEP 5: When the structure is finished and satisfactory, install Drive Rivets in all clamps to ensure clamps cannot slide down posts. See a Deck Clamp subassembly sheet. ***It is very important that all Drive Rivets be installed prior to allowing use of the equipment, as clamps are not designed to support substantial weight without them.*** Eliminate sharp points and sharp edges (burring) on installed hardware like bolt, nuts, etc. Install resilient surfacing material under and around all equipment before allowing use. Refer to the *Safety Guidelines*. **Note:** To cushion accidental falls by children, **Park structures**, strongly recommends that the area under and around the play structure must be covered with a resilient material, such as sand, mulch, etc., to a minimum depth of 10" for sand. Approved rubber safety matting can also be used. For details, please refer to your Safety Guidelines, provided within the assembly instruction packet.

MAINTENANCE PROCEDURE:

Periodically check hardware for tightness, and tighten as necessary. Always check all parts for breakage or wear, and immediately put equipment out of service until any faulty parts are repaired or replaced. Check all decks for Plastisol-coating peeling and touch-up with Plastisol if necessary. Check for holes on deck, clean if necessary. Check periodically resilient surfacing for appropriate depth and remove extraneous materials that could cause injury, infection, or disease. Maintain detailed installation, inspection, maintenance, and repair records for each public-use playground equipment.

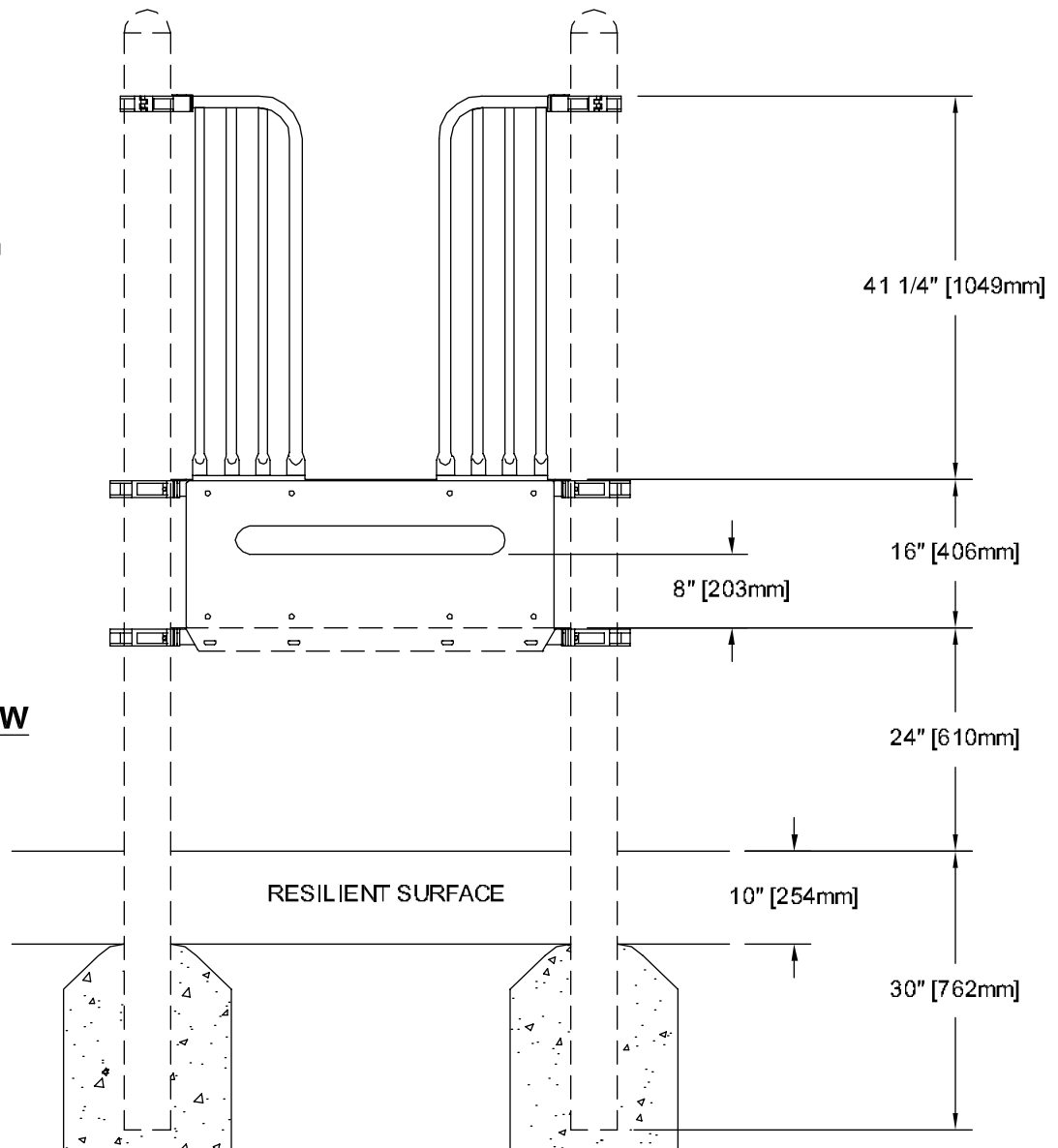
MODEL NO. 60026 Supermax Vertical Ladder

PLAN VIEW



**DECKS & POSTS
(SOLD SEPARATELY)**

ELEVATION VIEW



MODEL NO. 60026 Supermax Vertical Ladder

