

MODEL NO. 60031 Bridge w/ Pipe Wall- 8'

PARTS LIST

DESCRIPTION	No. REQ'D	PART NUMBER
Ramp Platform	1	305954
Ramp Pipe Wall	2	301213
Hardware Complete	1	305958
5" O.D. Deck Clamp	8	301989*
1/4" x 3/4" Drive Rivet	8	168449*
3/8" Barrel Nut	8	804804*
3/8" Heavy Hex Nut	8	804200*
3/8" x 1" P.B.H.C.S. w/Patch	8	812050*
3/8" x 1 1/2" P.B.H.C.S. w/Patch	8	812053*
3/8" x 1 3/4" P.B.H.C.S. w/Patch	8	812054*
3/8" Lock Nut	8	804353*
3/8" Flatwasher (1 1/4" O.D.)	24	817424*

*Unless Otherwise Specified, All Units of Measure are Each
* Included in Hardware*

Warning: Small parts and hardware items may present a potential choking hazard. Promptly remove all unused parts from play area.

SPECIFICATIONS:

Clamps are cast from a 356 high-strength aluminum alloy with a baked-on polyester powder-coated finish. The Ramp Platform is fabricated from pre-punched steel sheet with steel flat support bars welded underneath to increase strength. After welding, the entire platform is Plastisol coated with a thickness of 80 mils minimum. Pipe Walls are fabricated from 1-5/16" O.D. galvanized steel tubing with 'L' fitting stainless steel welded for attachment. Each Pipe Wall receives a baked-on polyester powder-coated finish.

All hardware is stainless steel.

Weight: 469 lbs. / 213.2 kg.

Installation Instructions:

1. Select the appropriate Upright Posts to receive the Ramp. Refer to you overhead drawing. Dig the footings as shown in the assembly diagram.
2. Attach the Ramp to pre-existing decks using 3/8" x 1" P.B.H.C.S. w/Patch and 3/8" Lock Nuts with 3/8" Flat Washers (1 1/4" O.D.) as shown in the assembly diagram.
3. Attach Pipe Walls to Deck Clamps using 3/8" x 1-3/4" P.B.H.C.S. w/ Patch with 3/8" Flat Washers and 3/8" Barrel Nuts as shown. Then attach the assembled Pipe Walls to Upright Posts using Deck Clamps (refer to Deck Clamp Sub-assembly for detail).

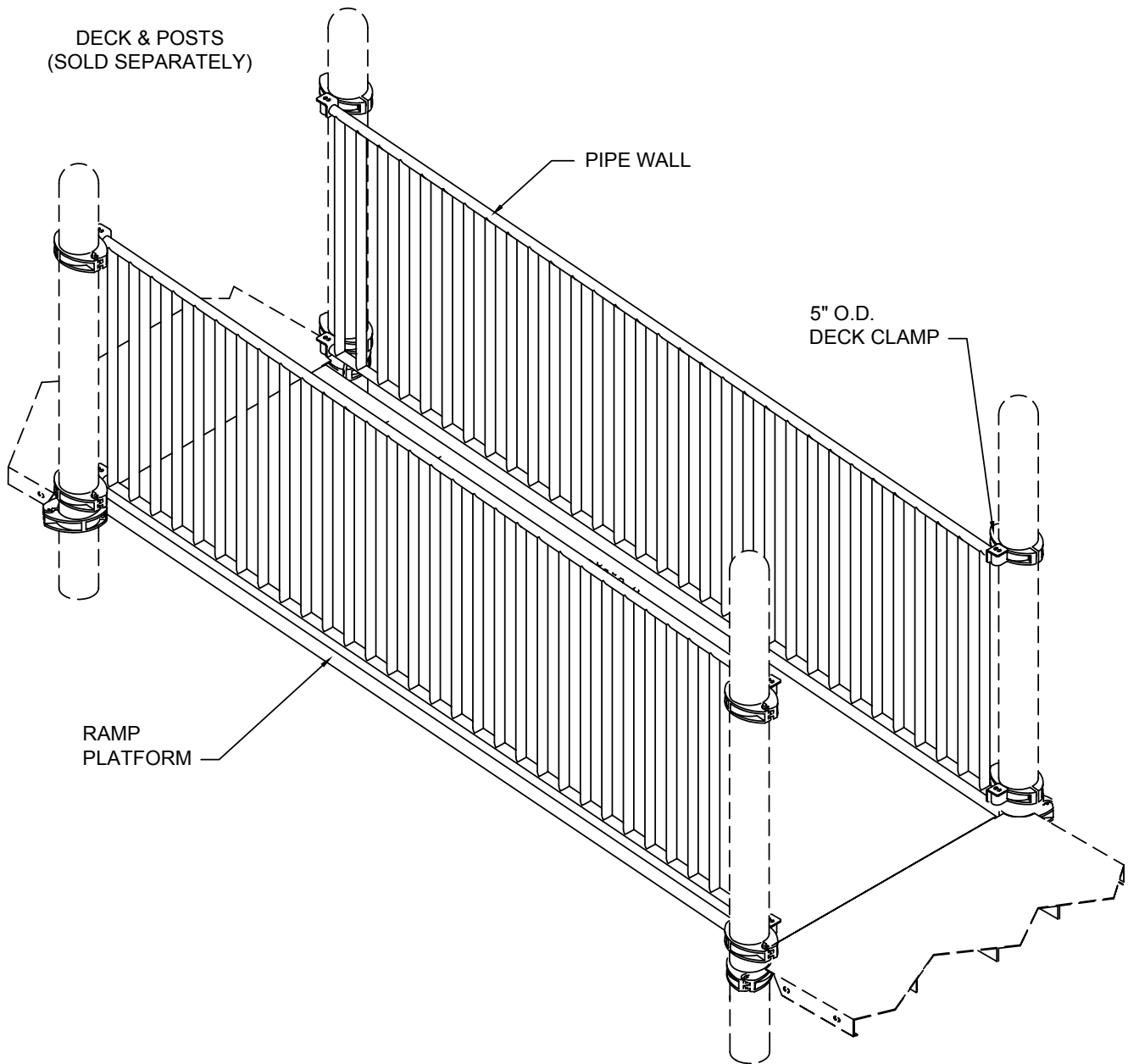
MODEL NO. 60031 Bridge w/ Pipe Wall- 8'

4. Plumb and level the entire Ramp and fully tighten all Clamps and fasteners. Pour concrete footings within 4" to the top and taper away from posts to allow water drainage. Allow to cure at least 48 hours before use.
5. When the structure is finished and satisfactory, install Drive Rivets in all clamps to ensure clamps cannot slide down posts. See a Deck Clamp subassembly sheet. **It is very important that all Drive Rivets be installed prior to allowing use of the equipment, as clamps are not designed to support substantial weight without them.** Eliminate sharp points and sharp edges (burring) on installed hardware like bolt, nuts, etc. Install resilient surfacing material under and around all equipment before allowing use. Refer to the *Safety Guidelines*.
Note: To cushion accidental falls by children, **Park structures**, strongly recommends that the area under and around the play structure must be covered with a resilient material, such as sand, mulch, etc., to a minimum depth of 10" for sand. Approved rubber safety matting can also be used. For details, please refer to your Safety Guidelines, provided within the assembly instruction packet.

MAINTENANCE PROCEDURE:

Periodically check hardware for tightness, and tighten as necessary. Always check all parts for breakage or wear, and immediately put equipment out of service until any faulty parts are repaired or replaced. Check all decks for Plastisol-coating peeling and touch-up with Plastisol if necessary. Check for holes on deck, clean if necessary. Check periodically resilient surfacing for appropriate depth and remove extraneous materials that could cause injury, infection, or disease. Maintain detailed installation, inspection, maintenance, and repair records for each public-use playground equipment.

MODEL NO. 60031 Bridge w/ Pipe Wall- 8'



MODEL NO. 60031 Bridge w/ Pipe Wall- 8'

