

MODEL NO. 60031 SuperMax Ramp Deck Level W/ Pipe Wall- 8'

PARTS LIST

DESCRIPTION	No. REQ'D	PART NUMBER
Ramp Platform	1	300044
Ramp Pipe Wall	2	301213
Support Leg	2	301215
Mounting Bracket-90°	2	301026
Hardware Complete	1	302449
5" O.D. Deck Clamp	8	301989*
1/4" x 3/4" Drive Rivet	8	168449*
3/8" Barrel Nut	8	804804*
3/8" Flat Washer	18	817410*
3/8" Heavy Hex Nut	8	804200*
3/8" x 1" P.B.H.C.S. w/Patch	10	812050*
3/8" x 1 1/2" P.B.H.C.S. w/Patch	8	812053*
3/8" x 1 3/4" P.B.H.C.S. w/Patch	8	812054*
3/8" Lock Nut	18	804353*
3/8" Flatwasher (1 1/4" O.D.)	18	817424*
3/8" x 1" Carriage Bolt	8	800253*

*Unless Otherwise Specified, All Units of Measure are Each
Included in Hardware

Warning: Small parts and hardware items may present a potential choking hazard. Promptly remove all unused parts from play area.

SPECIFICATIONS:

Clamps are cast from a 356 high-strength aluminum alloy with a baked-on polyester powder-coated finish. The Ramp Platform is fabricated from pre-punched steel sheet 11-gauge thick with steel flat support bars welded underneath to increase strength. After welding, the entire platform is Plastisol coated with a thickness of 50 to 80 mils on top wear surface. Average perforation size is 0.35" diameter after coating. Pipe Walls are fabricated from 1-5/16" O.D. 14-gauge galvanized steel tubing with 'L' fitting stainless steel welded for attachment. Each Pipe Wall receives a baked-on polyester powder-coated finish. The Mounting Brackets are fabricated from 11-gauge galvanized sheet with pre-punched attachment holes and receive a baked-on polyester powder-coated finish after fabrication. Support Legs are fabricated from 1-5/8" O.D. 14-gauge galvanized steel tubing and receive a baked-on polyester powder-coated finished.

All hardware is stainless steel.

Weight: 469 lbs. / 213.2 kg.

Installation Instructions:

1. Select the appropriate Upright Posts to receive the Ramp. Refer to you overhead drawing. Dig the footings as shown in the assembly diagram.
2. Attach Mounting Brackets to Ramp Platform using 3/8" x 1" P.B.H.C.S. w/ Patch with 3/8" Flat Washers and 3/8" Lock Nuts with 3/8" Flat Washers (1 1/4" O.D.) as shown. *NOTE: Lock Nuts and Flat Washers (1 1/4" O.D.) go underneath of the Ramp side.* Attach the assembled Platform to pre-existing decks using 3/8" x 1" Carriage Bolts and 3/8" Lock Nuts with 3/8" Flat Washers (1 1/4" O.D.) as shown in the assembly diagram.
3. As shown in detail assembly drawing, attach two (2) 1-5/8" O.D. Support Legs to center bar underneath the Ramp.(Note: Support Legs will need to be cut to a length of deck height plus 24")
4. Attach Pipe Walls to Deck Clamps using 3/8" x 1-3/4" P.B.H.C.S. w/ Patch with 3/8" Flat Washers and 3/8" Barrel Nuts as shown. Then attach the assembled Pipe Walls to Upright Posts using Deck Clamps (refer to Deck Clamp Sub-assembly for detail).

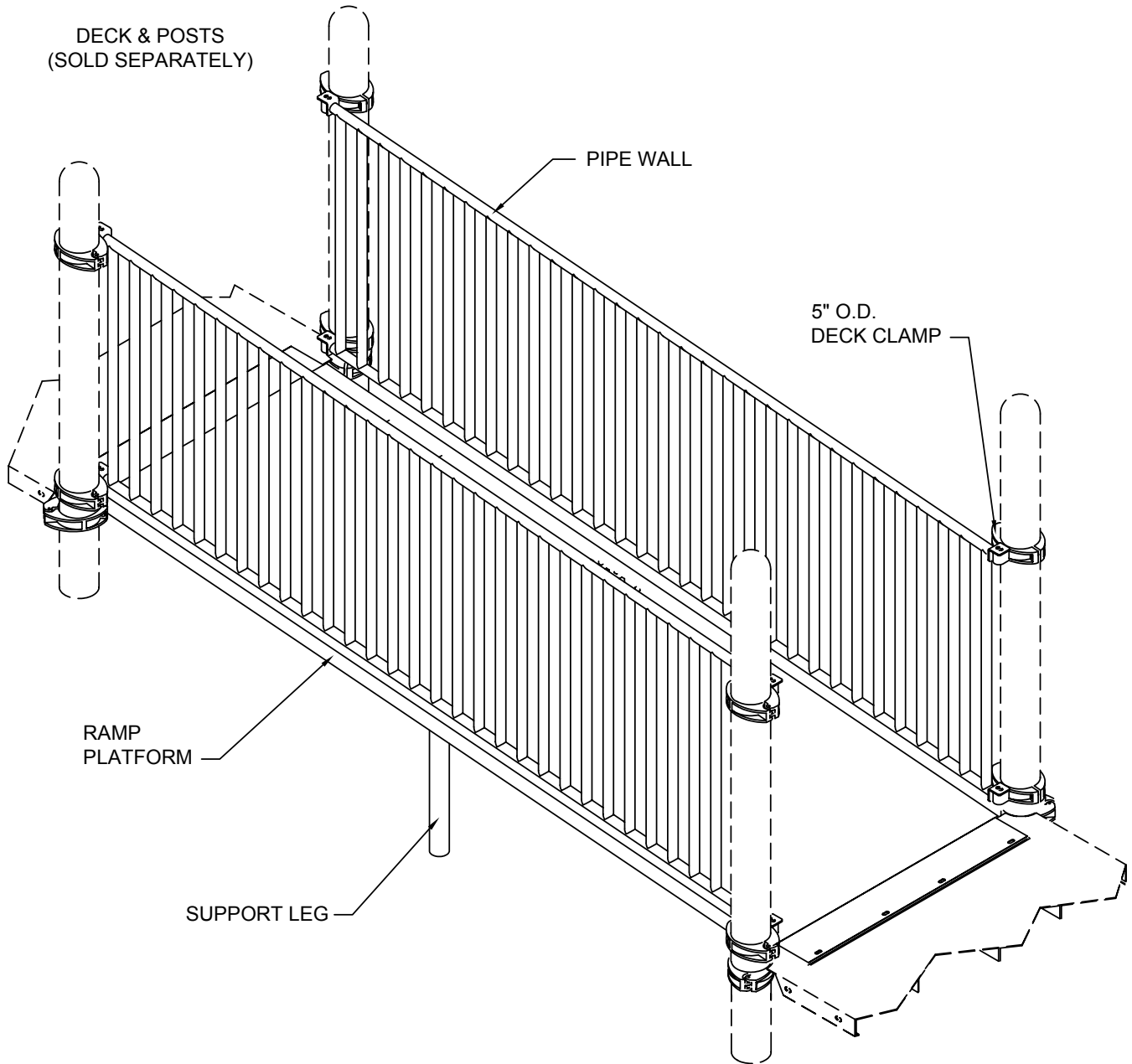
MODEL NO. 60031 SuperMax Ramp Deck Level W/ Pipe Wall- 8'

5. Plumb and level the entire Ramp and fully tighten all Clamps and fasteners. Pour concrete footings within 4" to the top and taper away from posts to allow water drainage. Allow to cure at least 48 hours before use.
6. When the structure is finished and satisfactory, install Drive Rivets in all clamps to ensure clamps cannot slide down posts. See a Deck Clamp subassembly sheet. **It is very important that all Drive Rivets be installed prior to allowing use of the equipment, as clamps are not designed to support substantial weight without them.** Eliminate sharp points and sharp edges (burring) on installed hardware like bolt, nuts, etc. Install resilient surfacing material under and around all equipment before allowing use. Refer to the *Safety Guidelines*.
Note: To cushion accidental falls by children, **Park structures**, strongly recommends that the area under and around the play structure must be covered with a resilient material, such as sand, mulch, etc., to a minimum depth of 10" for sand. Approved rubber safety matting can also be used. For details, please refer to your Safety Guidelines, provided within the assembly instruction packet.

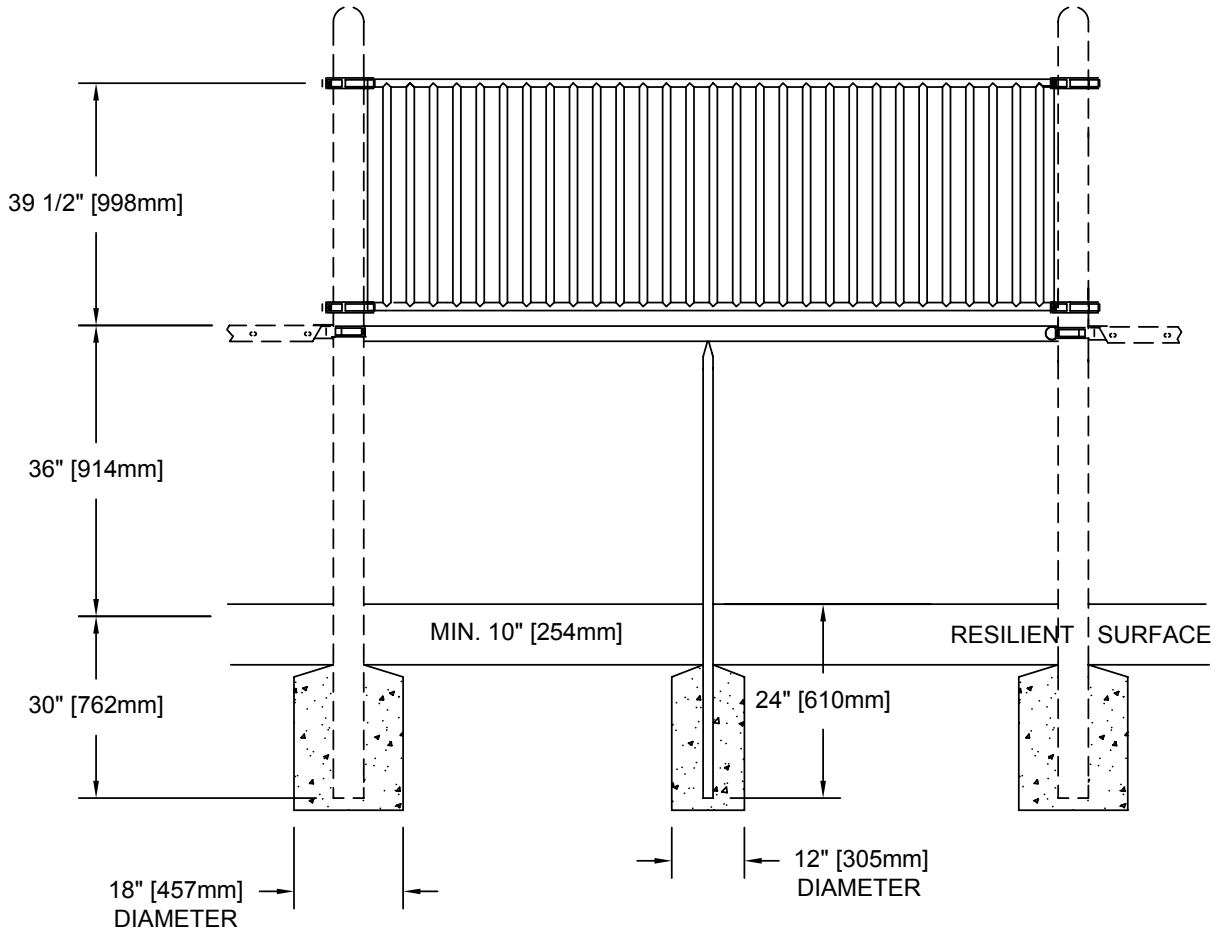
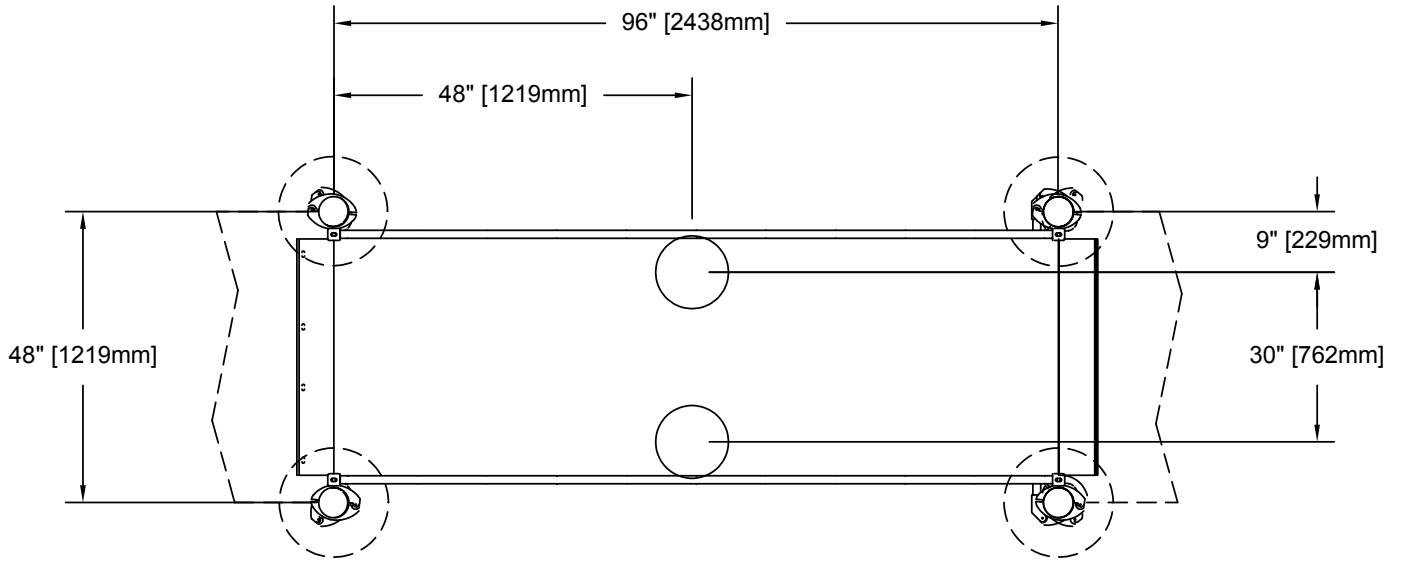
MAINTENANCE PROCEDURE:

Periodically check hardware for tightness, and tighten as necessary. Always check all parts for breakage or wear, and immediately put equipment out of service until any faulty parts are repaired or replaced. Check all decks for Plastisol-coating peeling and touch-up with Plastisol if necessary. Check for holes on deck, clean if necessary. Check periodically resilient surfacing for appropriate depth and remove extraneous materials that could cause injury, infection, or disease. Maintain detailed installation, inspection, maintenance, and repair records for each public-use playground equipment.

MODEL NO. 60031 SuperMax Ramp Deck Level W/ Pipe Wall- 8'



MODEL NO. 60031 SuperMax Ramp Deck Level W/ Pipe Wall- 8'



MODEL NO. 60031 SuperMax Ramp Deck Level W/ Pipe Wall- 8'

