

## MODEL NO. 60043 4-RUNG VERTICAL LADDER (60")

### PARTS LIST

DESCRIPTION	No. REQ'D	PART NUMBER
4 - Rung Vertical Ladder Frame (60")	1	300968
<b>Hardware Complete</b>	1	302306
5"O.D. Pipe Clamp	4	302030*
1/4" x 3/4" Drive Rivet	4	168449*
3/8" Heavy Hex-Nut	4	804200*
3/8" x 1 1/2" P.B.H.C.S.	4	812053*
3/8" x 3/8" Set Screw	4	811549*

*Unless Otherwise Specified, All Units of Measure are Each  
\* Included in Hardware*

**Warning: Small parts and hardware items may present a potential choking hazard. Promptly remove all unused parts from play area.**

### SPECIFICATIONS:

Clamps are cast from a 356 high-strength aluminum alloy, with a baked-on polyester powder-coated finish. Vertical Ladder is fabricated from 1-5/16" O.D. 14-gauge galvanized steel tube using only stainless steel welds and receives a baked-on polyester powder-coated finish after fabrication.

All hardware is stainless steel.

**Weight:** 68 lb. / 30.9 kg

### INSTALLATION INSTRUCTIONS:

1. Locate the Posts intended to receive the 4-rung Vertical Ladder. Dig footings as shown in the assembly diagram. The 4-rung Vertical Ladder is suitable for use to climb up to a 56"- 60" high deck from the ground (deck) level, or up from one deck to another if they are spaced 60" apart.

***IMPORTANT: Avoid creating any gaps between the components, which fall between 3-1/2" and 9". It has been shown that such gaps create entrapment points, which can trap a child and cause injury.***

2. Attach (4) Pipe Clamps to the ends of the Vertical Ladder using 3/8" x 3/8" Set Screws. Slightly tighten. Then, attach the assembly to Posts using 3/8" x 1-1/2" P.B.H.C.S. and 3/8" Heavy Hex Nuts. ***(NOTE: The Vertical Ladder should be positioned to the outside of the Deck Platform and placed so that the first rung is approximately 12" above the ground or deck level).***

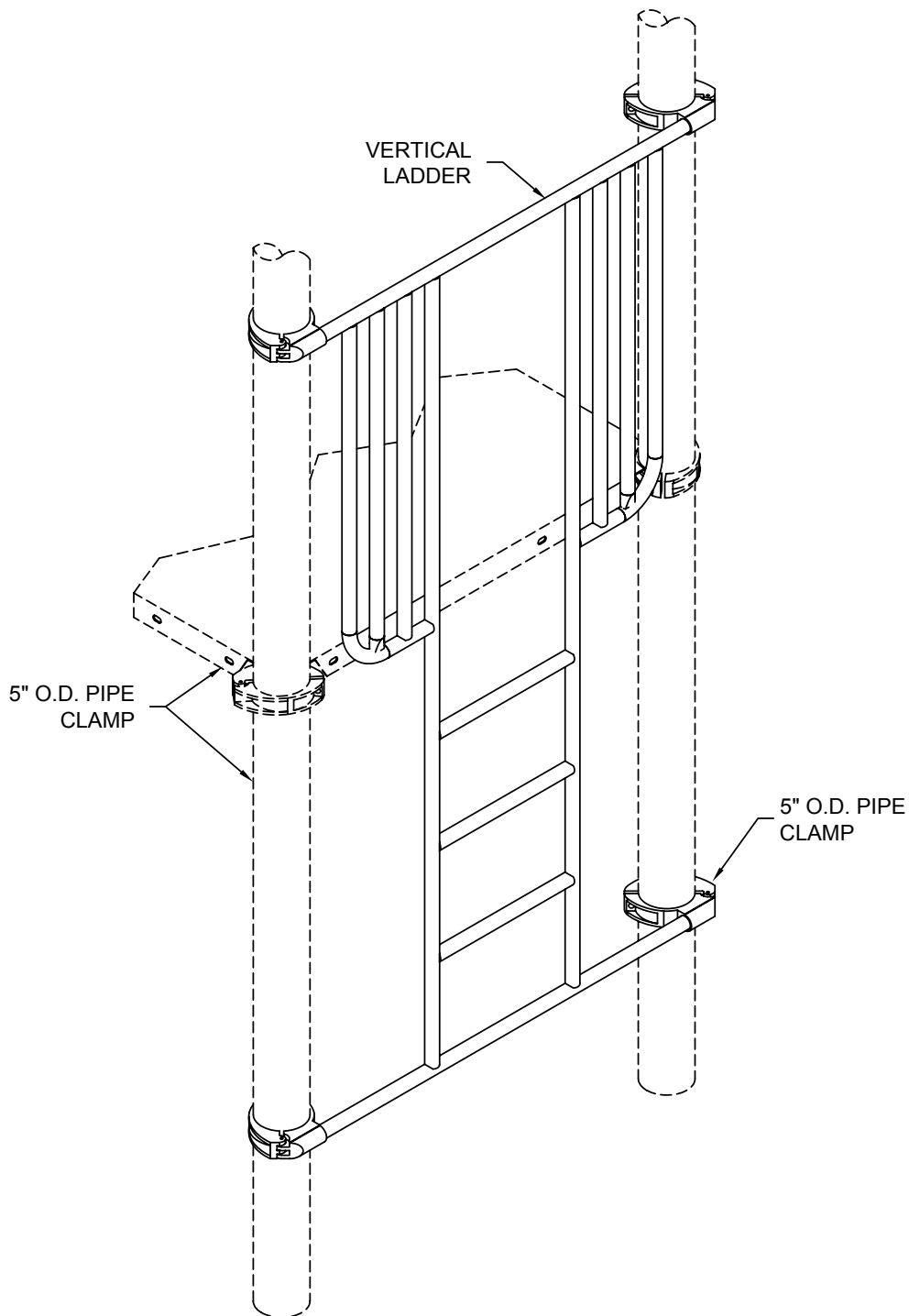
3. Plumb, level and brace in position the Vertical Ladder and fully tighten all fasteners.

4. When the structure is finished and satisfactory, install Drive Rivets in all clamps to ensure clamps cannot slide down posts. See Pipe Clamps sub-assembly sheet. Eliminate sharp points and sharp edges (burring) on installed hardware like bolts, nuts, etc. ***It is very important that all Drive Rivets be installed prior to allowing use of the equipment, as clamps are not designed to support substantial weight without them.*** Install resilient surfacing material within the use zone of play structure, in accordance with ASTM specification F1292 appropriate for the fall height of each structure. Refer to the Safety Guidelines.

### MAINTENANCE PROCEDURE:

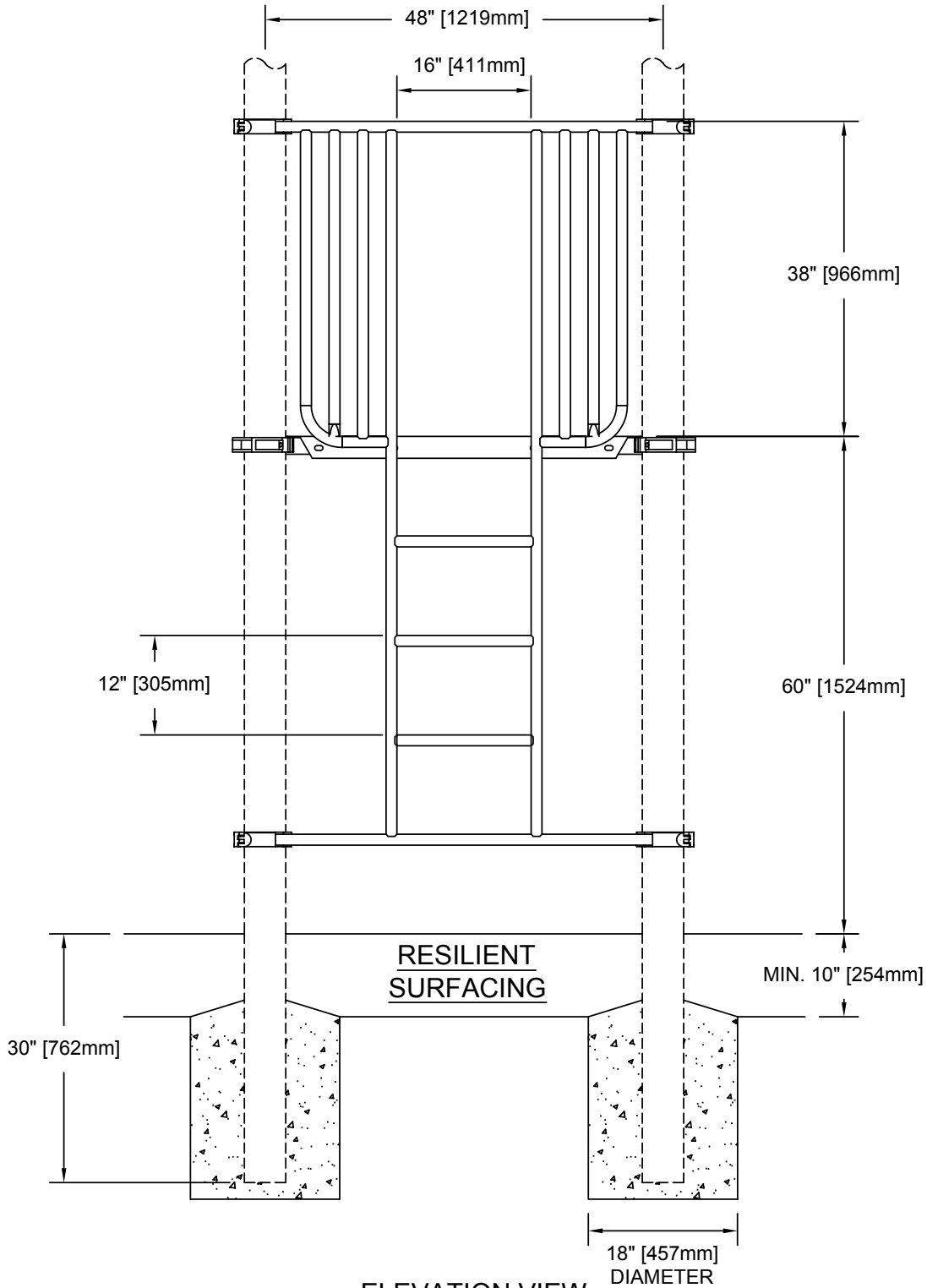
Periodically check hardware for tightness, and tighten as necessary. Always check all parts for breakage or wear, and immediately put equipment out of service until any faulty parts found are repaired or replaced. Check all metal parts for rust or paint loss and touch-up if necessary with paint. Check welded areas and verify integrity. Check periodically resilient surfacing for appropriate depth and remove extraneous materials that could cause injury, infection, or disease. Maintain detailed installation, inspection, maintenance, and repair records for each public-use playground equipment.

## MODEL NO. 60043 4-RUNG VERTICAL LADDER (60")

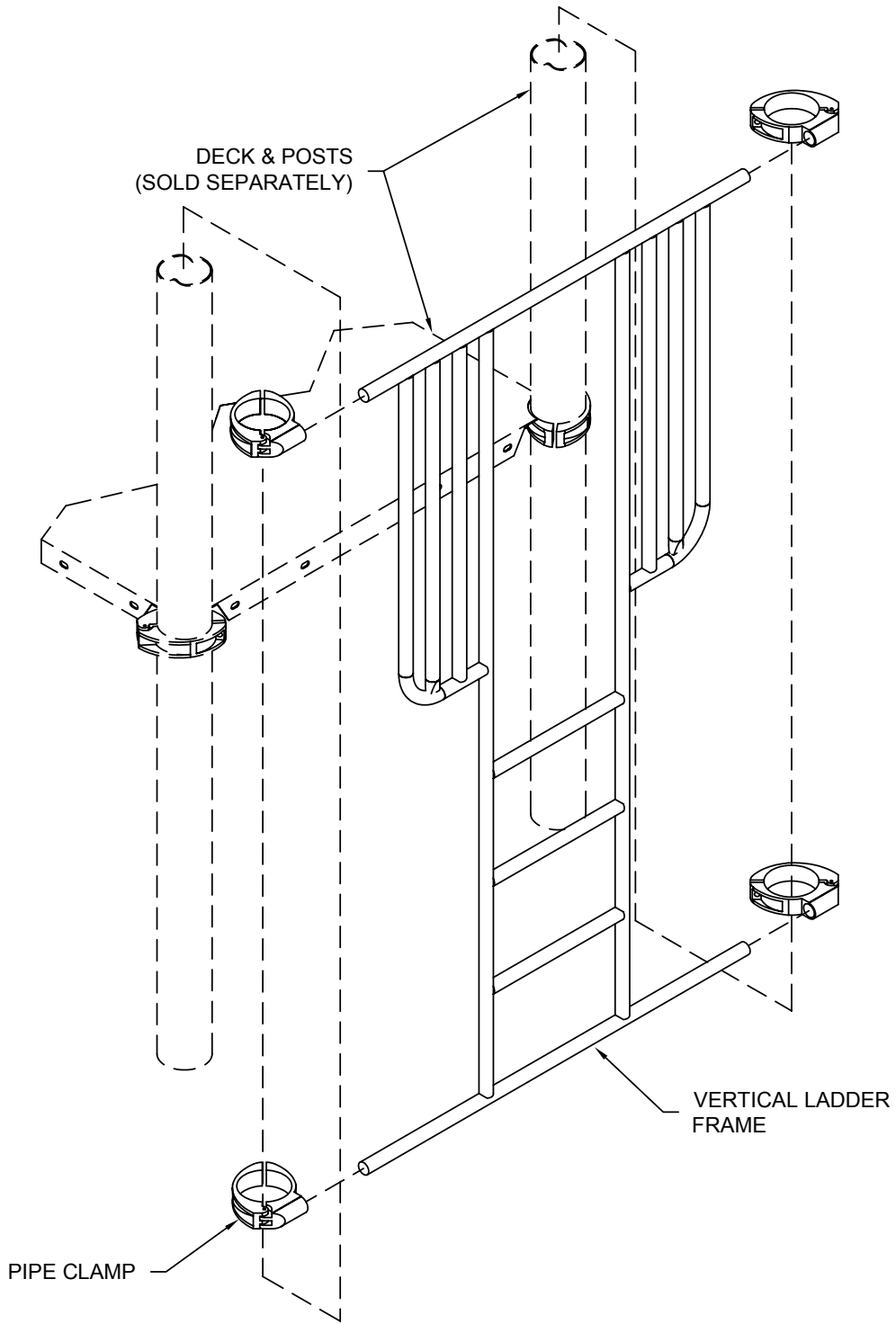


FINISHED ASSEMBLY

## MODEL NO. 60043 4-RUNG VERTICAL LADDER (60")



## MODEL NO. 60043 4-RUNG VERTICAL LADDER (60")



VERTICAL RUNG LADDER ASSEMBLY