

## MODEL NO. 60047 Seat for Two and Table PARTS LIST

DESCRIPTION	No. REQ'D	PART NUMBER
22" Round Table Panel	1	302361
Seat Panel	1	302366
Seat Support Beam	1	302373
Table Support Post	1	302378
Hardware Complete	1	302322
5" O.D. Half Clamp	2	301001*
1/4" x 3/4" Drive Rivet	2	168449*
3/8" Barrel Nut	8	804804*
3/8" Flatwasher	16	817410*
3/8" x 1 1/2 P.B.H.C.S. w/ Patch	4	812053*
3/8" x 3/4" P.B.H.C.S. w/ Patch	8	812052*
3/8" Heavy Hex Nut	4	804200*

*Unless Otherwise Specified, All Units of Measure are Each  
\*Included in Hardware*

**Warning:** Small parts and hardware items may present a potential choking hazard. Promptly remove all unused parts from play area. Any bolt end protruding more than two full threads beyond the face of the nut causes risk of clothing entanglement. Promptly cut-off flush, file smooth, and treat to prevent corrosion.

**Note:** Peen Tee-Nuts and Flatwashers to match radius of pipe after assembly is complete.

**Note:** Loctite (supplied by others) should be used on all threaded hardware.

### INSTALLATION INSTRUCTIONS:

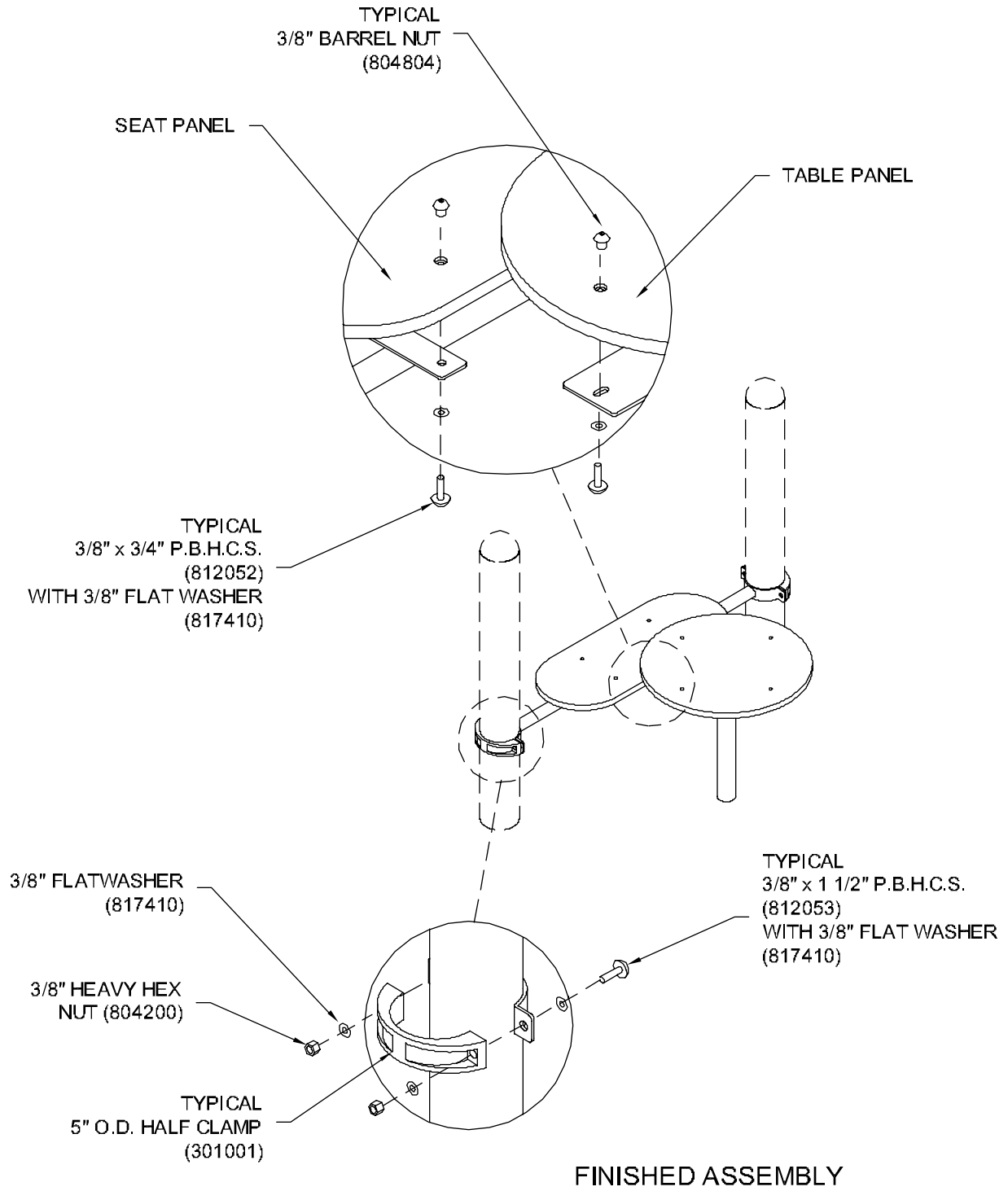
NOTE: Counterbore holes in seat and table panels are to be turned upwards to receive Barrel Nuts.

1. Locate, measure and dig footings for posts. Refer to your overhead drawing.
2. Attach Seat Support Beam to Seat Panel using 3/8" x 3/4" P.B.H.C.S. with Patch, 3/8" Flat Washers and 3/8" Barrel Nuts as shown in detail drawing. Fasten this assembly to Upright Posts using 5" O.D. Half Clamps, 3/8" x 1 1/2" P.B.H.C.S. with Patch, 3/8" Flat Washers and 3/8" Heavy Hex Nuts as shown.
3. Attach Table panel to Support Post using 3/8" x 3/4" P.B.H.C.S. with Patch, 3/8" Flat Washers and 3/8" Barrel Nuts as shown.
4. When the entire structure is plumb and level, fully tighten all fasteners and pour concrete footing within 4" to the top and taper away from support posts to allow water drainage. Allow curing at least 48 hours before use.
5. When the assembly is finished and satisfactory, install Drive Rivets in all clamps to ensure clamps cannot slide down posts. See Pipe Clamp sub-assembly sheet. ***It is very important that all Drive Rivets be installed prior to allowing use of the equipment, clamps are not designed to support substantial weight without them.*** Install resilient surfacing material within the use zone of play structure in accordance with ASTM specifications F1292 appropriate for the fall height of each structure. Refer to the Safety Guidelines.

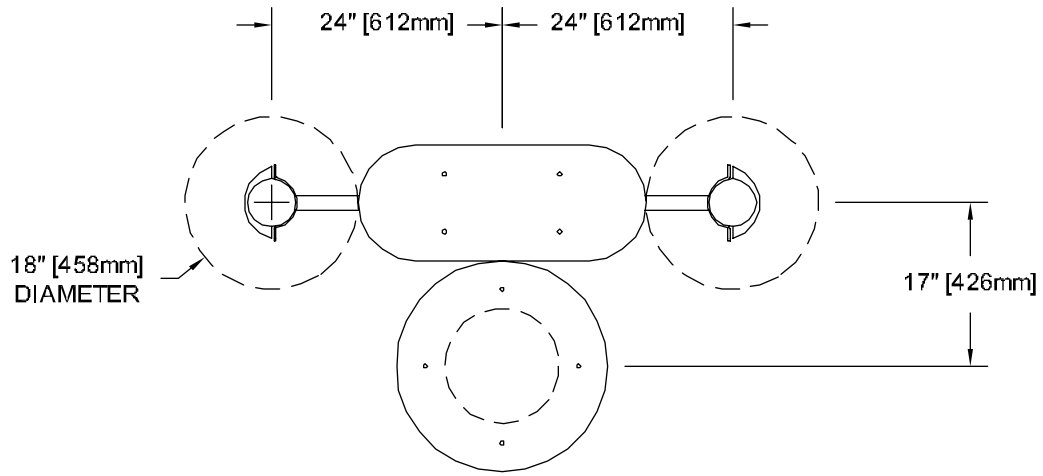
### MAINTENANCE PROCEDURE:

Periodically check hardware for tightness, and tighten as necessary, also check if the entrapments and protrusions still satisfactory. Always check all metal parts for corrosion, paint peeling and touch up if necessary. Check all plastic parts for crack, breakage or wear, and immediately put equipment out of service until any faulty parts found are repaired or replaced. Check periodically resilient surfacing for appropriate depth and remove extraneous materials that could cause injury, infection, or disease. Maintain detailed installation, inspection, maintenance, and repair records for each public-use playground equipment.

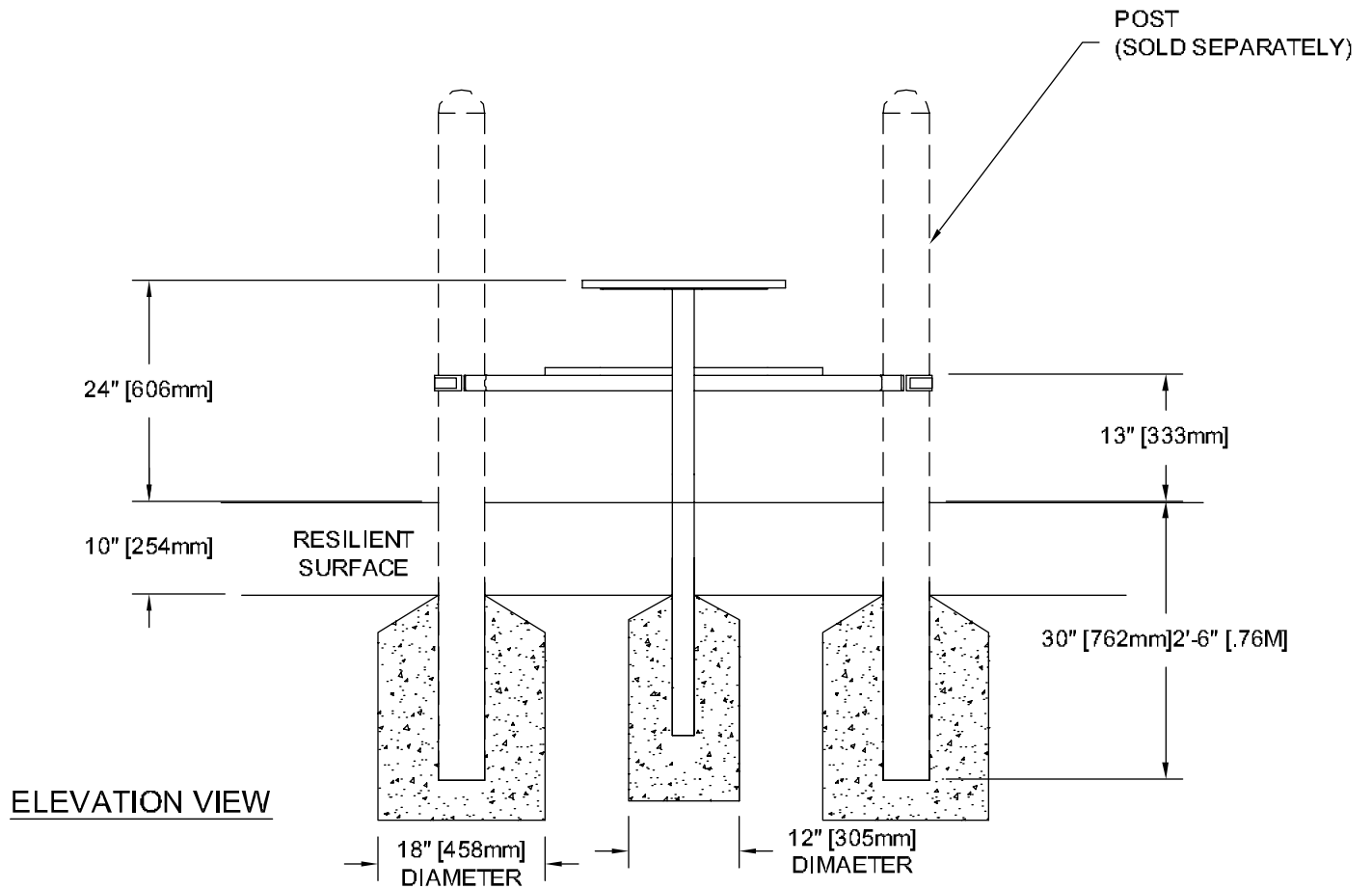
## MODEL NO. 60047 Seat for Two and Table



## MODEL NO. 60047 Seat for Two and Table



PLAN VIEW



ELEVATION VIEW