

## MODEL NO. 60049 PIPE WALL

### PARTS LIST

DESCRIPTION	No. REQ'D	PART NUMBER
SuperMax Pipe Wall	1	302340
<b>Hardware Complete</b>	1	302335
5" O.D. Pipe Clamp	4	302030*
1/4" x 3/4" Drive Rivet	4	168449*
3/8" Heavy Hex Nut	4	804200*
3/8" x 1 1/2" P.B.H.C.S.	4	812053*
3/8" x 3/8" Set Screw	4	811549*

**Unless Otherwise Specified, All Units of Measure are Each  
\*Included in Hardware**

**Warning: Small parts and hardware items may present a potential choking hazard. Promptly remove all unused parts from play area. Any bolt end protruding more than two full threads beyond the face of the nut causes risk of clothing entanglement. Promptly cut-off flush, file smooth, and treat to prevent corrosion.**

**Note: Peen Tee-Nuts and Flatwashers to match radius of pipe after assembly is complete.**

**Note: Loctite (supplied by others) should be used on any non-patch hardware.**

### SPECIFICATIONS:

Clamps are cast from a 356 high-strength aluminum alloy and coated with a baked on polyester powder-coated finish. Pipe Wall consists of 1 5/16" O.D. galvanized steel tubing with 1 1/16" O.D. galvanized steel rungs. Pipe Wall is coated with a baked on polyester powder-coated finish after fabrication.

Primary hardware is stainless steel.

Weight: 59 lb / 26 Kg.

### INSTALLATION INSTRUCTIONS:

1. Attach Pipe Clamps to the top ends of the Pipe Wall. Only slightly tighten set screws in Pipe Clamps (refer to separate Pipe Clamp instructions).
2. Attach Pipe Wall assembly to Posts using Pipe Clamps. Position so that top horizontal tube is 38" above surface of deck. Swing bottom end of Frame out and attach other (2) Pipe Clamps. Fasten bottom Pipe Clamps to upright posts. After ensuring Pipe Wall is square and level, tighten all fasteners.

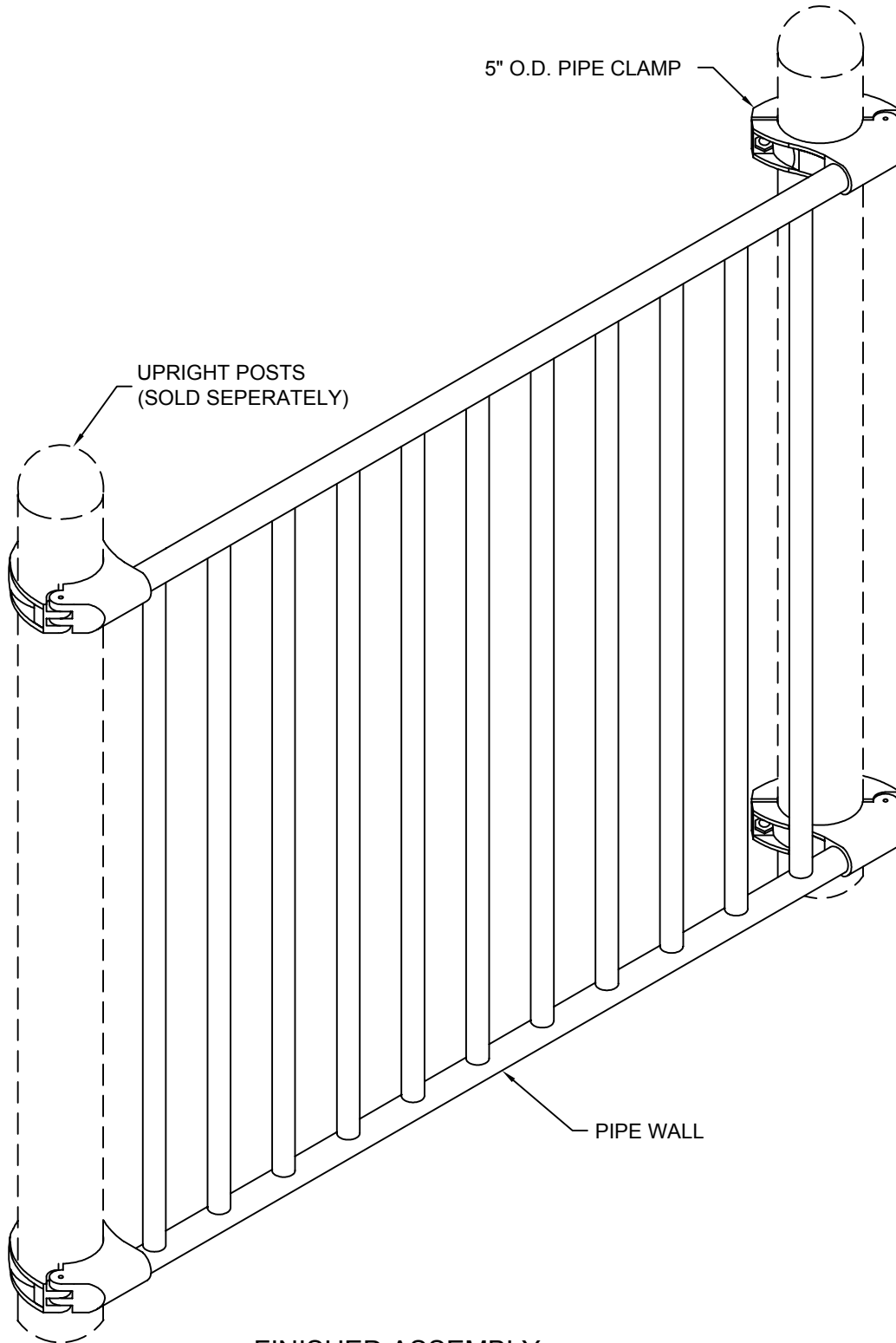
**IMPORTANT!** Avoid creating any gaps between the components which fall between 3-1/2" and 9". It has been shown that such gaps create entrapment points which can trap a child and cause injury.

3. When the structure is finished and satisfactory, install Drive Rivets in all clamps to ensure clamps cannot slide down posts. See Pipe Clamps sub-assembly sheet. **It is very important that all Drive Rivets be installed prior to allowing use of the equipment, as clamps are not designed to support substantial weight without them**. Install resilient surfacing material under and around all equipment before allowing use. Refer to the Safety Guidelines.

### MAINTENANCE PROCEDURE:

Periodically check hardware for tightness, and tighten as necessary. Always check all parts for breakage or wear, and immediately put equipment out of service until any faulty parts found is repaired or replaced. Check periodically resilient surfacing for appropriate depth and remove foreign matter.

## MODEL NO. 60049 PIPE WALL



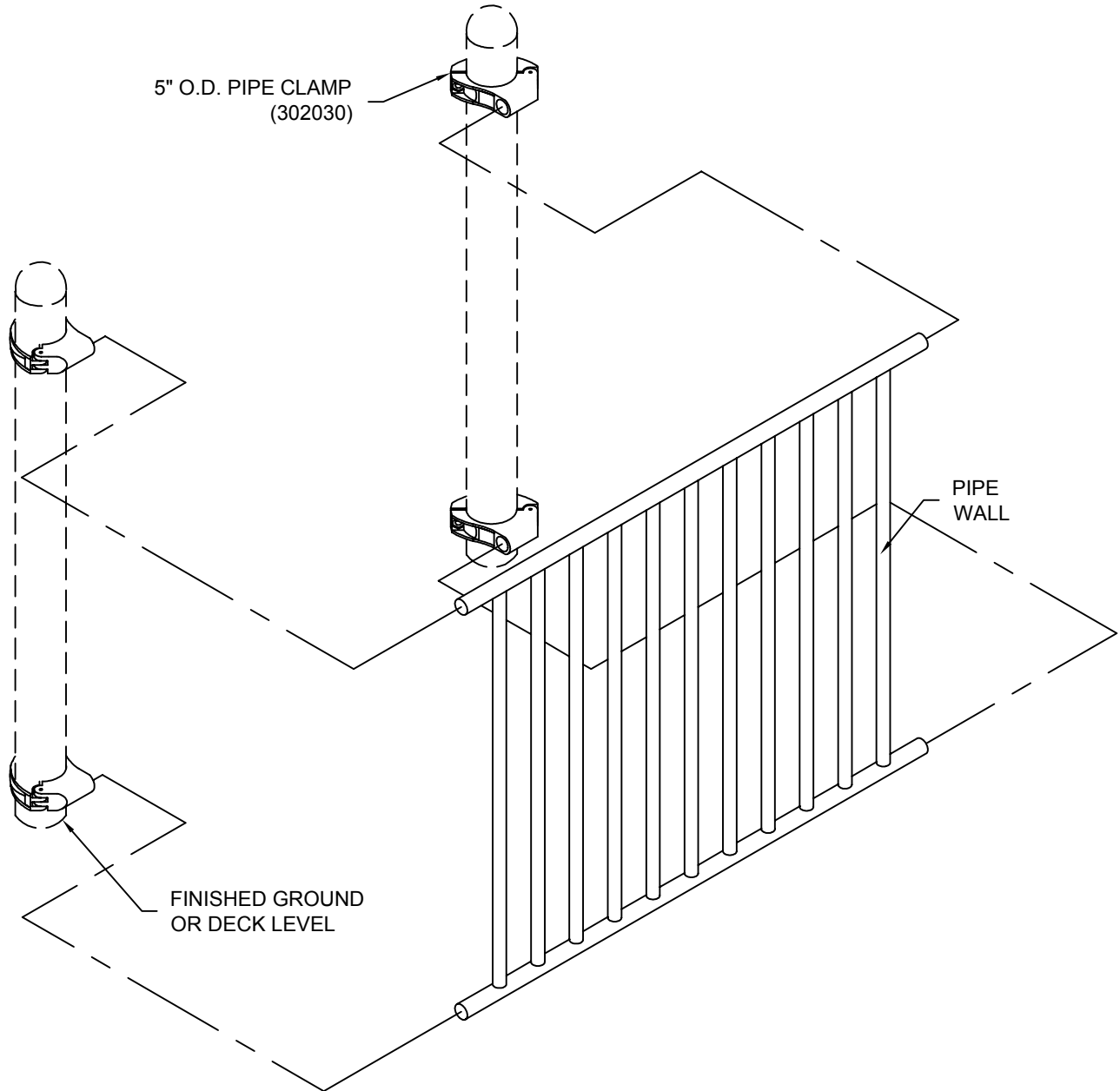
FINISHED ASSEMBLY

## MODEL NO. 60049 PIPE WALL

**NOTE:**

TOP EDGE OF PIPE WALL MUST BE 38" [965mm] OR GREATER ABOVE ELEVATED PLATFORM SURFACE FOR USE BY 5-12 YEAR OLDS.

TOP EDGE OF PIPE WALL MUST BE 29" [736mm] OR GREATER ABOVE ELEVATED PLATFORM SURFACE FOR USE BY 2-5 YEAR OLDS.



### PIPE WALL ASSEMBLY