

MODEL NO. 60062 Small Kickplate 9 1/2" x 58" (Decks 8" Apart)

PARTS LIST

DESCRIPTION	No. REQ'D	PART NUMBER
Small Kickplate	1	301737
Hardware Complete	1	302412
3/8" Flat Washer	10	817410*
3/8" x 1" P.B.H.C.S. w/Patch	10	812050*
3/8" Lock Nut	10	804353*
3/8" Flat Washer (1 1/4" O.D.)	10	817424*

*Unless Otherwise Specified, All Units of Measure are Each
* Included in Hardware*

Warning: Small parts and hardware items may present a potential choking hazard. Promptly remove all unused parts from play area.

SPECIFICATIONS:

Kickplate measures 9-1/2" x 58", and is cut from 16-gauge galvanized sheet metal with (10) 7/16" x 1" slotted holes punched to coincide with deck flange holes. Edges are ground smooth and receives a baked-on polyester powder-coated finish after fabrication.

All hardware is stainless steel.

Weight: 8 lb. / 3.6 kg

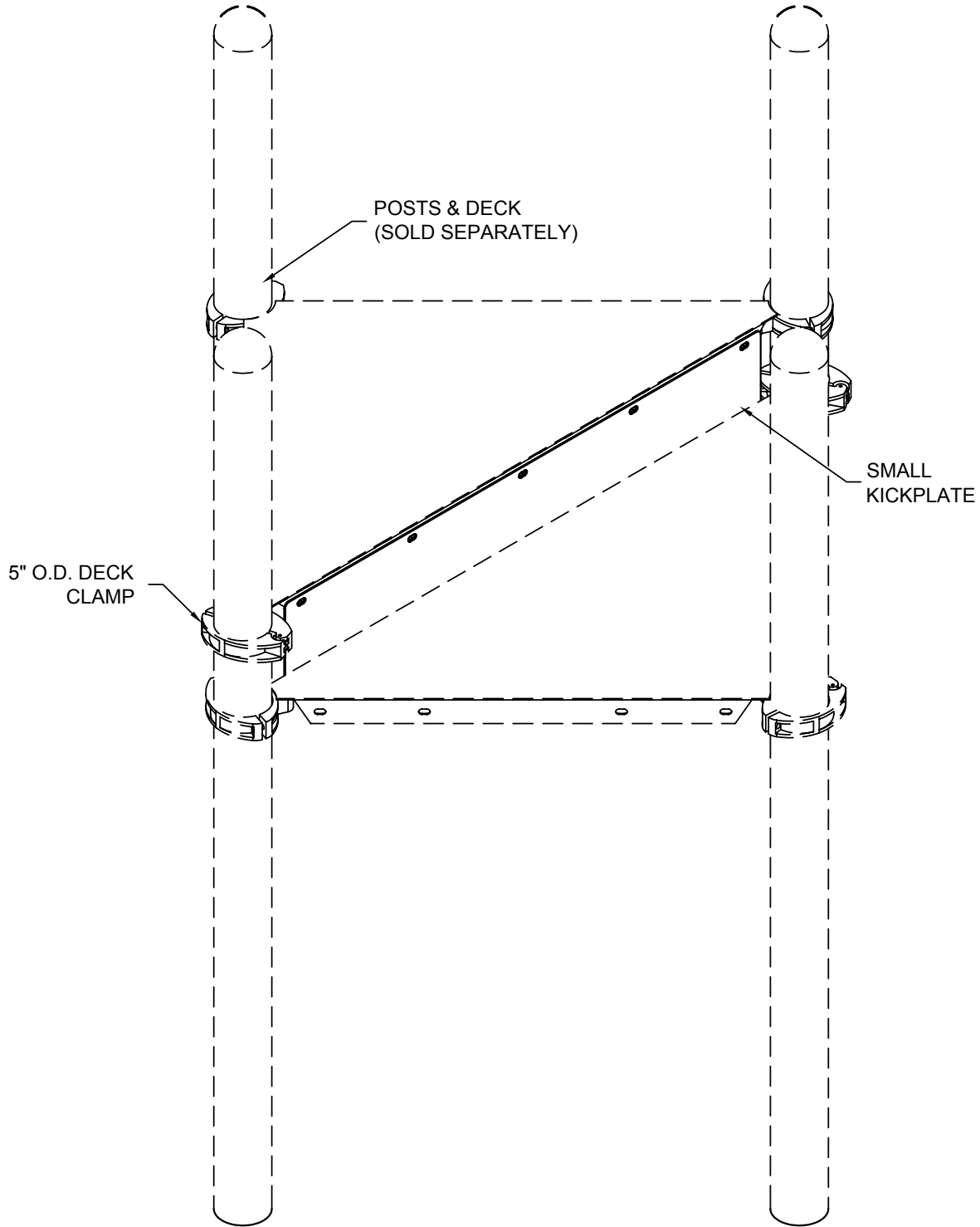
INSTALLATION INSTRUCTIONS:

1. Refer to the main drawing to locate decks, which are spaced 8" apart. These will require Kickplate(s). Attach Kickplates after decks have been installed, but before deck clamps have been pinned, in case adjustment in deck heights is required to match up holes in deck flanges with holes in Kickplate.
2. Attach Kickplate to decks using 3/8" x 1" P.B.H.C.S. with 3/8" Flat Washers and 3/8" Lock Nuts with 3/8" Flat Washers (1 1/4" O.D.). NOTE: 3/8" Flat Washers (1 1/4" O.D.) and 3/8" Lock Nuts are used under the deck sides. No portion of the Kickplate should be protruding in a manner which could cause a user to receive a cut, scrape or trip over any edge. Any rough edges should be filed smooth, and any protruding corners should be flattened.
3. Eliminate sharp points and sharp edges (burring) on installed hardware like bolts, nuts, etc. Install resilient surfacing material within the use zone of play structure in accordance with ASTM specifications F1292 appropriate for the fall height of each structure. Refer to the Safety Guidelines.

MAINTENANCE PROCEDURE:

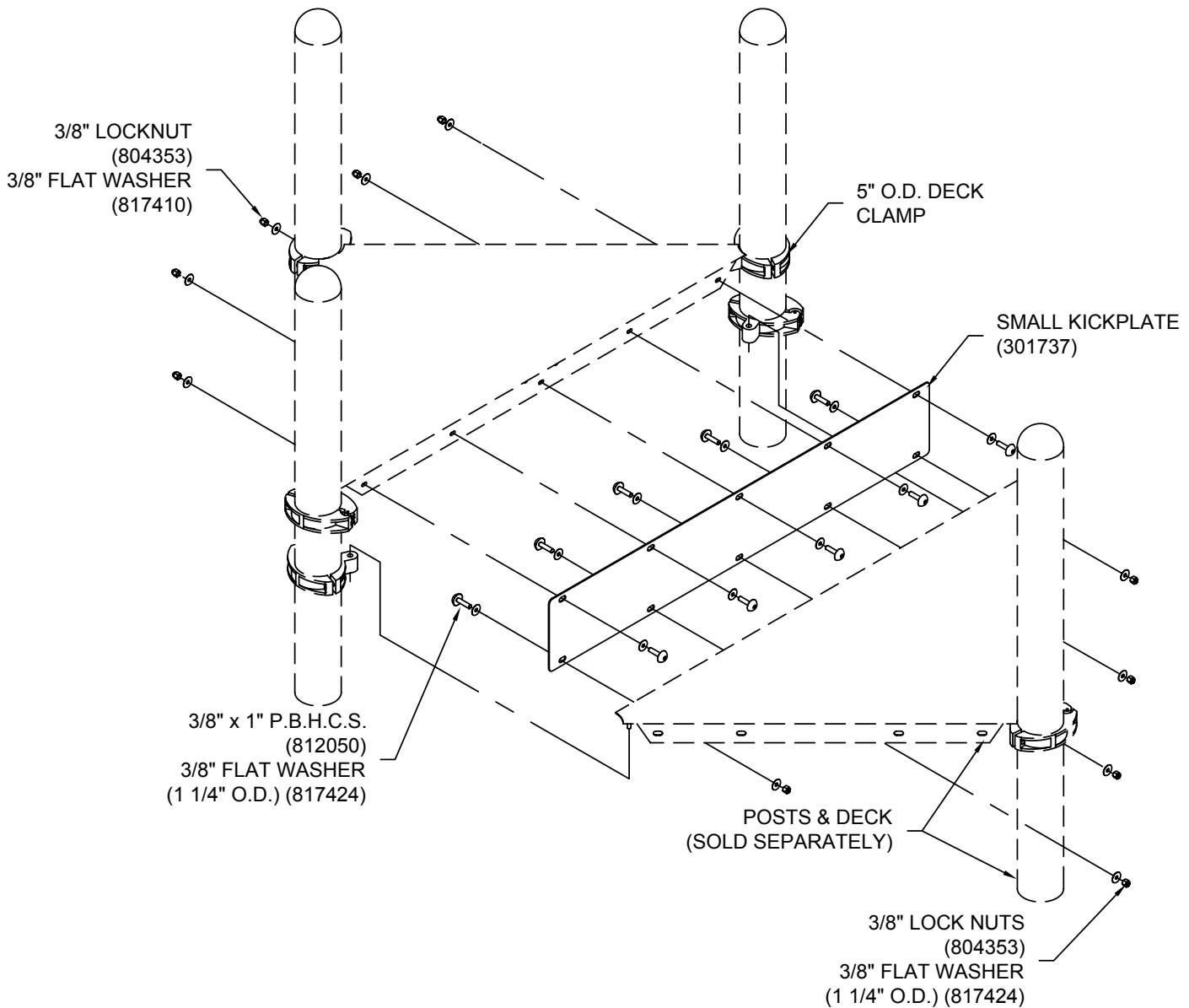
Periodically check hardware for tightness, and tighten as necessary. Always check all parts for breakage or wear, and immediately put equipment out of service until any faulty parts found are repaired or replaced. Check for rust or paint loss and touch-up if necessary with paint. Check periodically resilient surfacing for appropriate depth and remove extraneous materials that could cause injury, infection, or disease. Maintain detailed installation, inspection, maintenance, and repair records for each public-use playground equipment.

MODEL NO. 60062 Small Kickplate 9 1/2" x 58" (Decks 8" Apart)



FINISHED ASSEMBLY

MODEL NO. 60062 Small Kickplate 9 1/2" x 58" (Decks 8" Apart)



SMALL KICKPLATE ASSEMBLY