

## MODEL NO. 60063 SUPERMAX DECK-TO-DECK STAIRS (DOUBLE)

### PARTS LIST

DESCRIPTION	No. REQ'D	PART NUMBER
Transfer Double Step	1	300093
Handrail for Deck-to-Deck Stairs (Double)	2	300731
<b>Hardware Complete</b>	1	302419
5" O.D. Pipe Clamp	8	302030*
1/4" x 3/4" Drive Rivet	8	168449*
3/8" Heavy Hex Nut	8	804200*
3/8" x 1" P.B.H.C.S. w/Patch	8	812050*
3/8" x 1 1/2" P.B.H.C.S. w/Patch	8	812053*
3/8" Lock Nut	8	804353*
3/8" x 3/8" Set Screw	4	811549*
3/8" Flat Washer (1 1/4" O.D.)	16	817424*

*Unless Otherwise Specified, All Units of Measure are Each  
\* Included in Hardware*

**WARNING:** Small parts and hardware items may present a potential choking hazard. Promptly remove all unused parts from play area.

#### SPECIFICATIONS:

Clamps are cast from a 356 high-strength aluminum alloy with a baked on polyester powder-coated finish. Transfer Double Step is fabricated from pre-punched 11-gauge steel sheet. After fabrication, the entire Transfer Double Step is Plastic coated with a thickness of 50 to 80 mils on the top of wear surface. All fastening holes are pre-punched before Plastic coating. Average perforation size is 5/16" diameter after coating.

Handrails are fabricated from 1-5/16" O.D. 14-gauge galvanized steel tubing and stainless steel welded. The entire Handrail is finished with a baked on polyester powder-coated paint.

All fastening hardware is stainless steel with factory-applied locking patch.

Weight: 241 lb. / 109.5 kg.

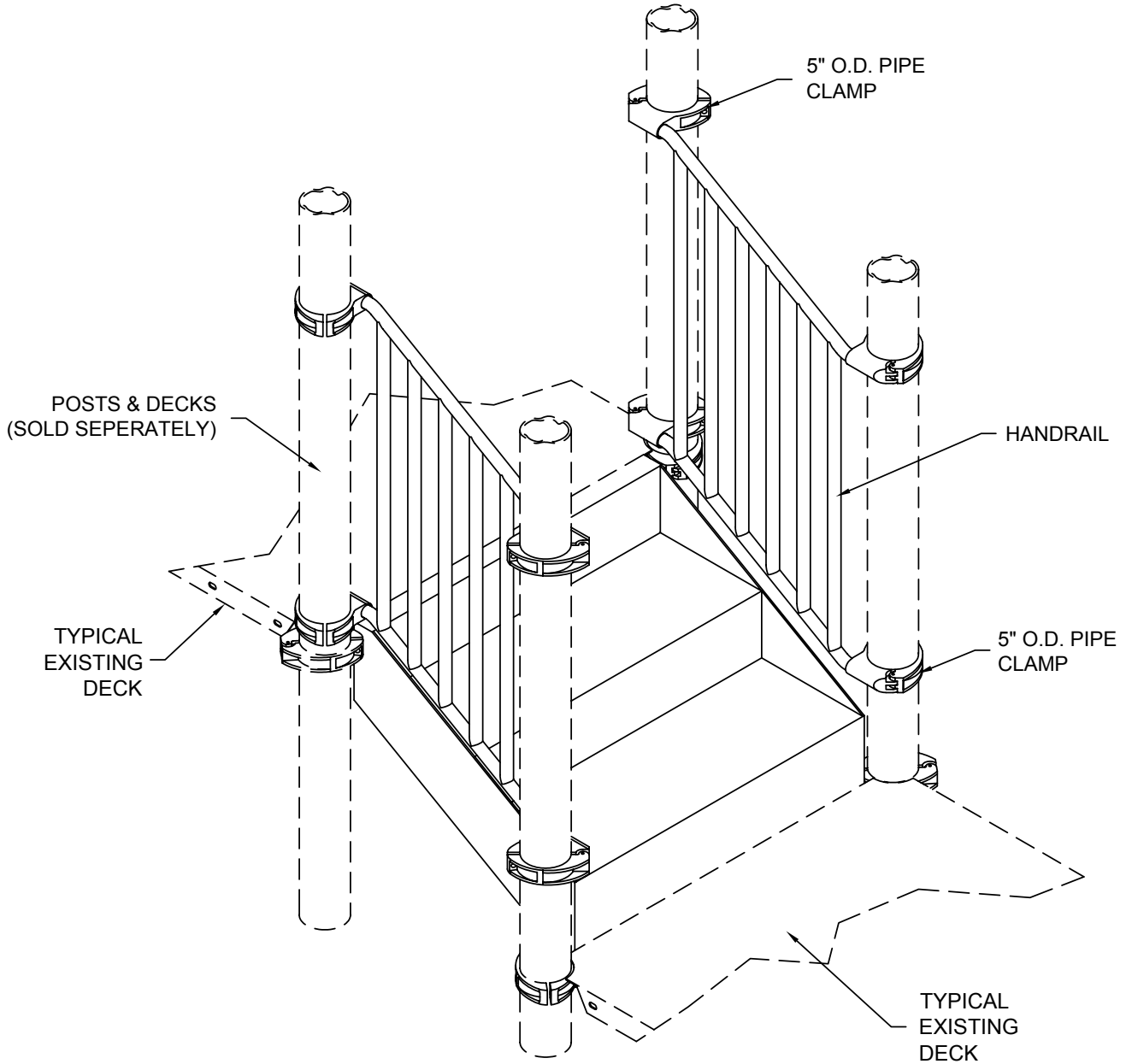
#### INSTALLATION INSTRUCTIONS:

1. Select the appropriate Decks and four Upright Posts to receive the Transfer Double Step. Refer to your overhead drawing.
2. Attach Transfer Double Step to Decks matching flange holes with upper and lower Decks and fasten it using 3/8" x 1" P.B.H.C.S. w/Patch with 3/8" Flat Washers (1 1/4" O.D.) and 3/8" Lock Nuts as shown in the assembly diagram.
3. Attach Handrails positioning as shown in the assembly drawings using pipe clamps. Ensure that the gap between lower rail of each handrail and edge of steps is less than 3-1/2". Plumb and level the entire assembly and brace in position. Fully tighten all Pipe Clamps fasteners.
4. When the assembly is finished and satisfactory, install Drive Rivets in all clamps to ensure clamps cannot slide down posts. See Pipe Clamp sub-assembly sheet. **It is important that all Drive Rivets be installed prior to allowing use of the equipment, as clamps are not designed to support substantial weight without them.** Eliminate sharp points and sharp edges (burring) on installed hardware like bolts, nuts, etc. Install resilient surfacing material within the use zone of play structure in accordance with ASTM specifications F1292 appropriate for the fall height of each structure. Refer to the Safety Guidelines

#### MAINTENANCE PROCEDURE:

Periodically check hardware for tightness, and tighten as necessary. Always check all parts for breakage or wear, and immediately put equipment out of service until any faulty parts found are repaired or replaced. Check for rust, paint peeling and touch-up if necessary with paint. Check for welded areas and verify integrity. Check for Plastisol-coating peeling and touch-up with Plastisol in necessary. Check for holes on steps, clean if necessary. Check periodically resilient surfacing for appropriate depth and remove extraneous materials that could cause injury, infection, or disease. Maintain detailed installation, inspection, maintenance, and repair records for each public-use playground equipment.

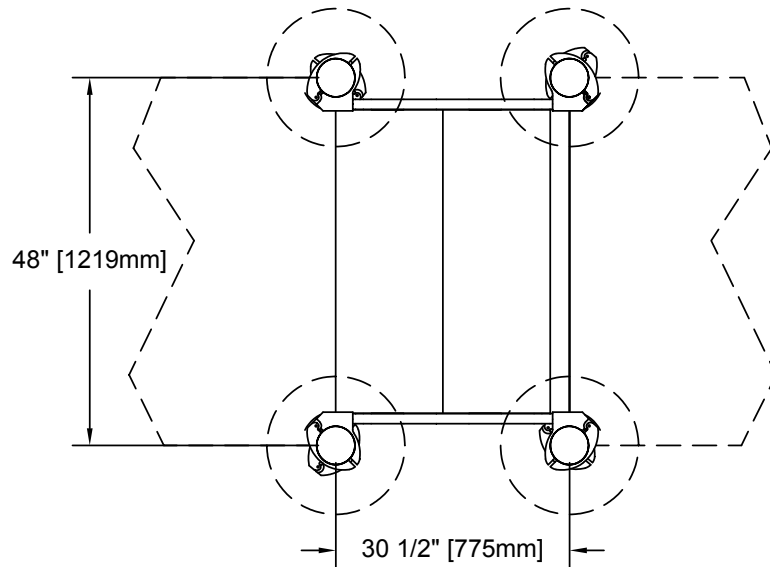
## MODEL NO. 60063 SUPERMAX DECK-TO-DECK STAIRS (DOUBLE)



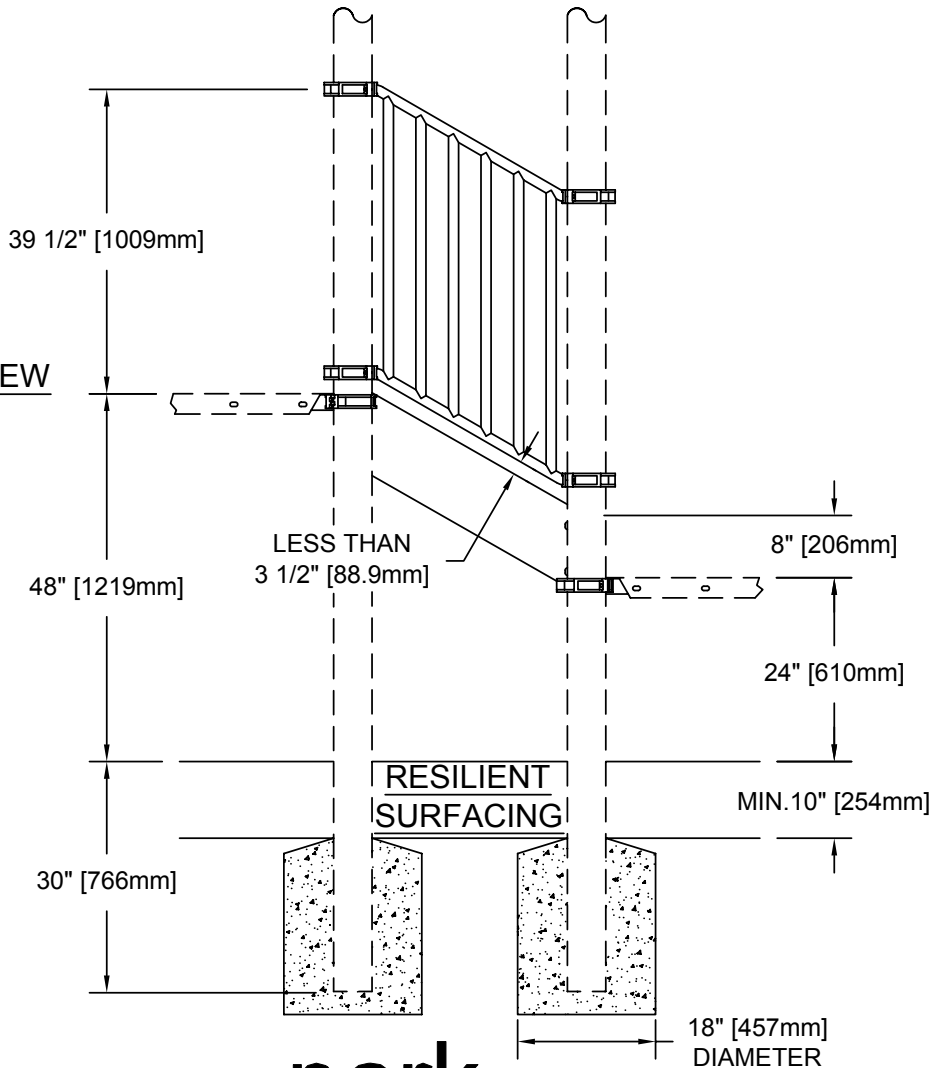
FINISHED ASSEMBLY

## MODEL NO. 60063 SUPERMAX DECK-TO-DECK STAIRS (DOUBLE)

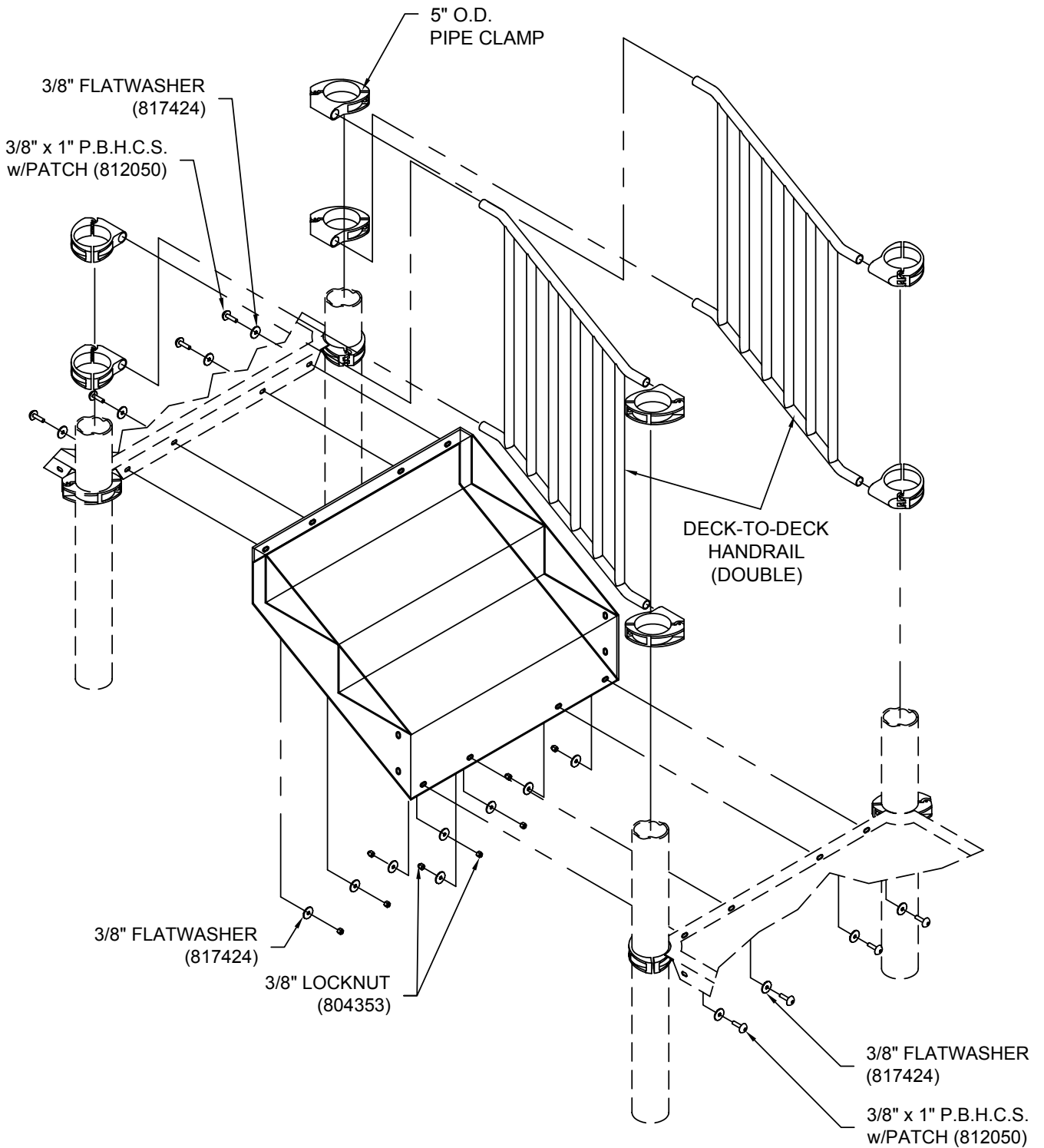
PLAN VIEW



ELEVATION VIEW



## MODEL NO. 60063 SUPERMAX DECK-TO-DECK STAIRS (DOUBLE)



### STAIR ASSEMBLY