

## MODEL NO. 60068 Single Rung with 5" and 3 1/2" Clamps

### PARTS LIST

DESCRIPTION	No. REQ'D	PART NUMBER
Rung	1	302433
<b>Hardware Complete</b>	1	302434
5" O.D. Pipe Clamp	1	302030*
3 1/2" O.D. Pipe Clamp	1	301727*
1/4" x 3/4" Drive Rivet	2	168449*
3/8" Heavy Hex Nut	2	804200*
3/8" x 1 1/2" P.B.H.C.S. with Patch	2	812053*
3/8" x 3/8" Set Screw	2	811549*

**Unless Otherwise Specified, All Units of Measure are Each  
\*Included in Hardware**

**Warning: Small parts and hardware items may present a potential choking hazard. Promptly remove all unused parts from play area.**

#### SPECIFICATIONS:

Clamps are cast from a 356 high-strength aluminum alloy with a baked on polyester powder-coated finish. Rung is 1-5/16" O.D. and 1" O.D. 14-gauge galvanized steel tubings with a polyester powder-coated finish.

All hardware is stainless steel.

Weight: 30 lb / 13.6 kg

#### INSTALLATION INSTRUCTIONS:

1. Refer to the main overhead drawing to locate posts.
2. Attach the two Pipe Clamps to the ends of the rung. Use a 3/8" x 3/8" Set Screw in each Pipe Clamp to only slightly tighten the Pipe Clamp (refer to separate Pipe Clamp fastening detail).
3. Attach the Rung to the Upright Posts using a 3/8" x 1-1/2" P.B.H.C.S. with Patch with 3/8" Heavy Hex Nut for each Pipe Clamp.

NOTE: The Rung should be positioned depending on its function. If this is a Chinning Bar, common heights above ground can range from 54" to 72" high. If this is a Turning Bar, common heights above ground can range from 32" to 42" high. If this is a climbing rung, space between rungs is 12". If this is a Single Rail Barrier, space between finished deck or ground level is 38" high. (Use only for deck platforms under 30" high).

4. Level the Rung and fully tighten all fasteners.
5. When the structure is finished and satisfactory, install Drive Rivets in all clamps to ensure clamps cannot slide down posts. See Pipe Clamp sub-assembly sheet. It is very important that all Drive Rivets be installed prior to allowing use of equipment, as clamps are not designed to support substantial weight without them. Eliminate sharp points and sharp edges (burring) on installed hardware like bolts, nuts, etc. Install resilient surfacing material within the use zone of play structure in accordance with ASTM specifications F1292 appropriate for the fall height of each structure. Refer to the Safety Guidelines.

NOTE: To cushion accidental falls by children, Park Structures strongly recommends that the area under and around the play structure must be covered with a resilient material, such as sand, mulch, etc., to a minimum depth of 10" for sand. Approved rubber safety matting (such as our Kid Safe Play Tiles) can also be used. For details, please refer to your Safety Guidelines, provided within the assembly instruction packet.

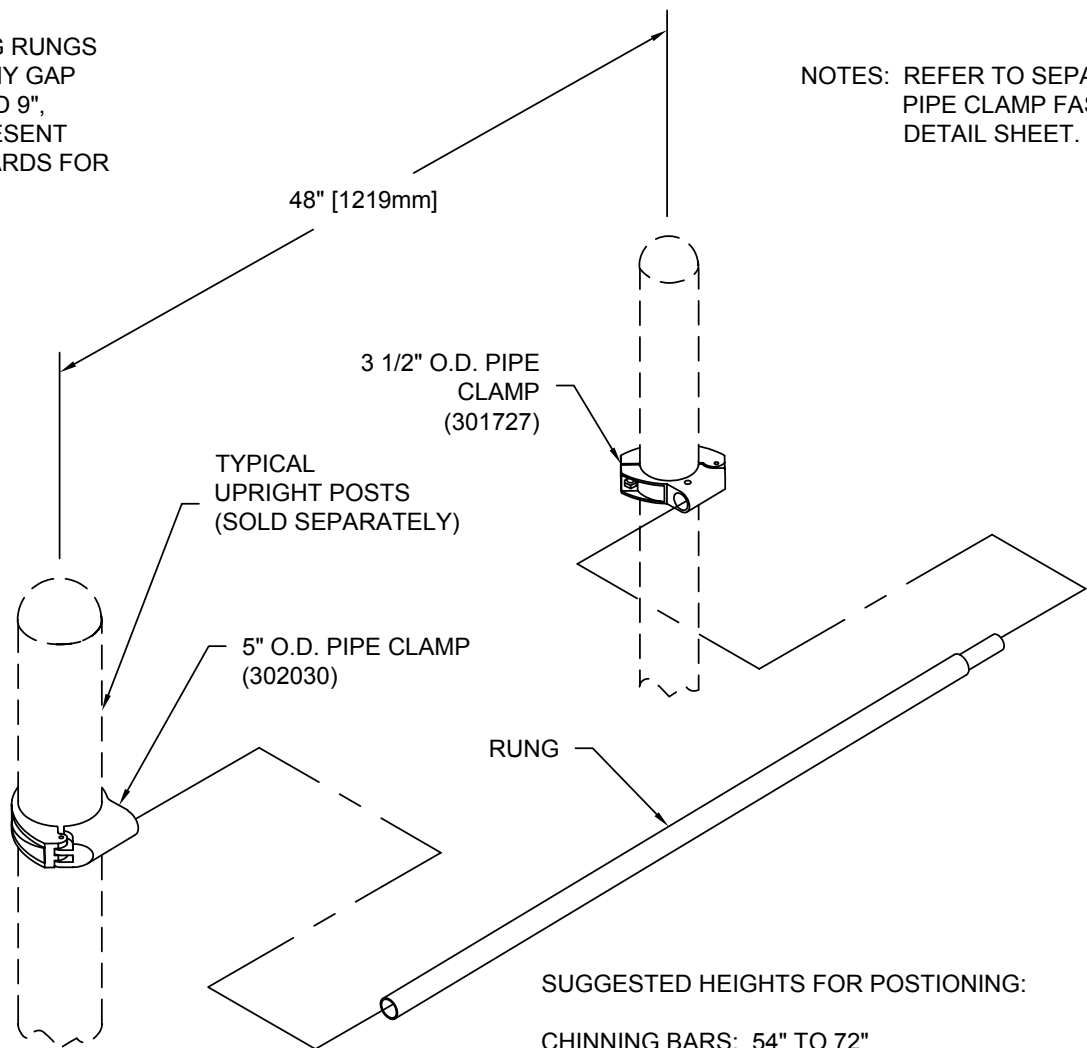
## MODEL NO. 60068 Single Rung with 5" and 3 1/2" Clamps

### MAINTENANCE PROCEDURE:

Periodically check hardware for tightness, and tighten as necessary. Always check all parts for breakage or wear, and immediately put equipment out of service until any faulty parts found are repaired or replaced. Check for rust, paint loss and touch-up if necessary with paint. Check for welded areas and verify integrity. Check periodically resilient surfacing for appropriate depth and remove extraneous materials that could cause injury, infection, or disease. Maintain detailed installation, inspection, maintenance, and repair records for each public - use playground equipment.

**CAUTION!**  
WHEN POSITIONING RUNGS  
DO NOT CREATE ANY GAP  
BETWEEN 3 1/2" AND 9",  
AS SUCH GAPS PRESENT  
ENTRAPMENT HAZARDS FOR  
CHILDREN.

NOTES: REFER TO SEPARATE  
PIPE CLAMP FASTENING  
DETAIL SHEET.



**FOR USE AS:**

- CHINNING BAR
- TURNING BAR
- CLIMBING RUNG AT END OF HORIZONTAL LADDER
- SINGLE RAIL BARRIER

**SUGGESTED HEIGHTS FOR POSTIONING:**

- CHINNING BARS: 54" TO 72"
- TURNING BARS: 32" TO 42"
- CLIMBING RUNGS: 12" SPACING
- SINGLE RAIL BARRIER: 3/8" ABOVE DECK SURFACE

NOTE: ALL HEIGHTS ARE ABOVE RESILIENT SURFACE.