

MODEL NO. 60075 Supermax Pedal Pusher

PARTS LIST

DESCRIPTION	No. REQ'D	PART NUMBER
Pre-Assembled Pedal Pusher	2	302631
Cycle Handhold Panel	4	302825
Cycle Paddle Panel	4	302826
Hardware Complete	1	302558
5" O.D. Half Clamp	8	301001*
1/4" x 3/4" Drive Rivet	8	168449*
3/8" Flat Washer	48	817410*
3/8" x 1 1/2" P.B.H.C.S. w/Patch	32	812053*
3/8" Lock Nut	16	804353*
3/8" Barrel Nut	16	804804*
Split Shaft Collar	8	302610*
Anti-Slip Tape	4	302769*

*Unless Otherwise Specified, All Units of Measure are Each
* Included in Hardware*

Warning: Small parts and hardware items may present a potential choking hazard. Promptly remove all unused parts from play area.

SPECIFICATIONS:

Clamps are cast from a 356 high-strength aluminum alloy with a baked-on polyester powder-coated finish. Panel is cut from a solid sheet of high-density .850" thick extruded polyethylene with color molded in and UV-stabilized. Pedal Frame is fabricated from 1" O.D. galvanized tubing bent and stainless steel welded. Entire Frame receives a baked on polyester powder-coated finish after fabrication. Pedal Bracket is fabricated from 3/16" thick Half Clamp stainless steel welded to a 1-1/2" x 1-1/2" square tubing with Bushing Hub Inserts. Bracket receives a baked on polyester powder-coated finish after fabrication.

All hardware is stainless steel.

Weight: 42 lbs. / 19.1 kg.

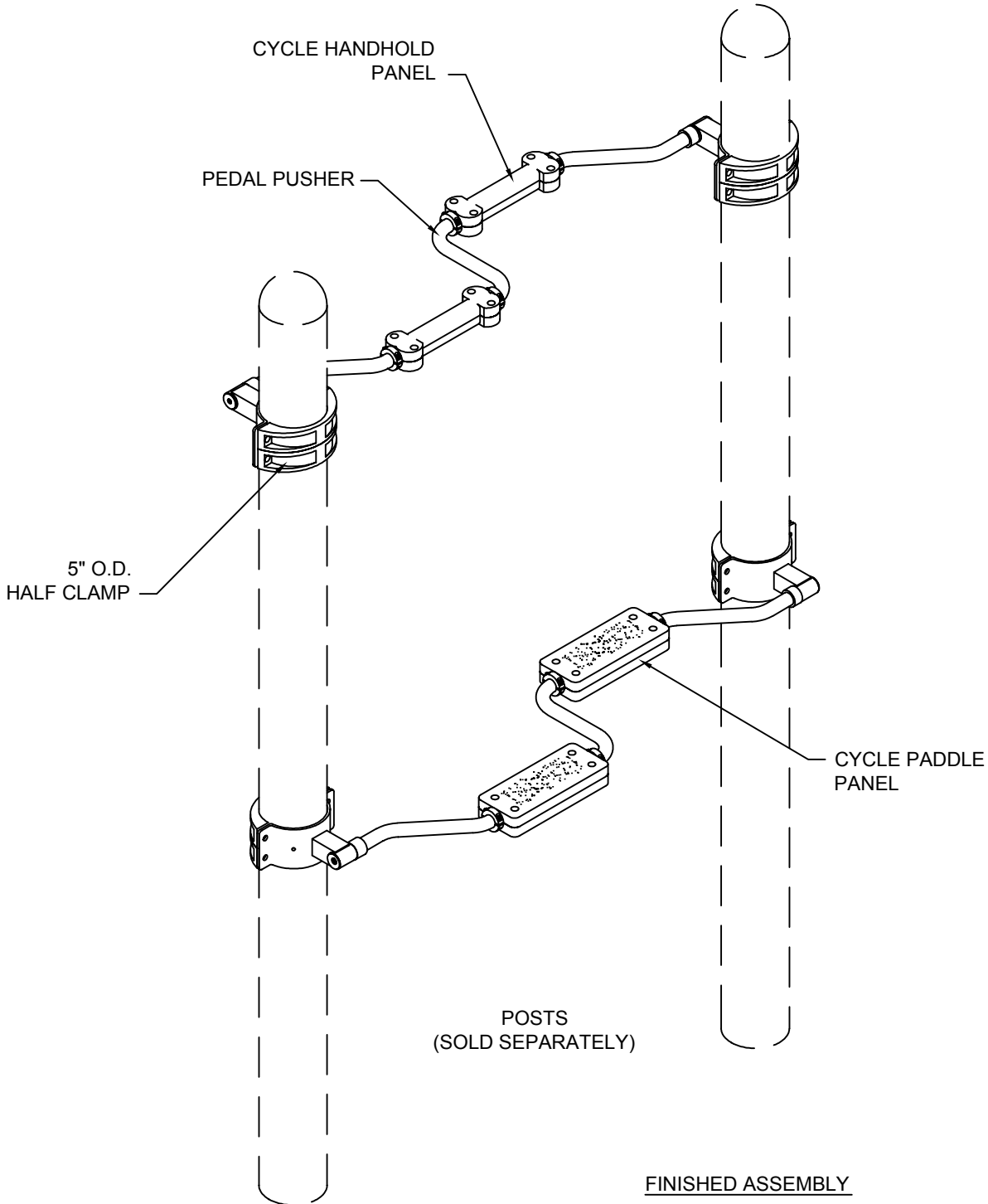
INSTALLATION INSTRUCTIONS:

- Select the appropriate Upright Posts to receive the Pedal Pusher. Refer to your overhead drawing for location.
- Attach Pre-Assembled Pedal Pusher to Upright Posts using Half Clamps, 3/8" x 1-1/2" P.B.H.C.S. w/ Patch, 3/8" Flat Washers and 3/8" Lock Nuts as shown in Assembly Diagram. Attach Handhold and Paddle Panels (See assembly diagram).
- When the assembly is finished and satisfactory, install Drive Rivets in Half Clamps to ensure Clamps cannot slide down Posts. Refer to Clamp Sub-Assembly for details. **It is very important that all Drive Rivets be installed before allowing use of the equipment, as Clamps are not designed to support substantial weight without them.** Also eliminate sharp points and sharp edges (burring) on installed hardware like bolts, nuts, etc. Install resilient surfacing material within the *use zone* of play structure in accordance with ASTM specifications F1292 appropriate for the fall height of each structure. Refer to the *Safety Guidelines*.

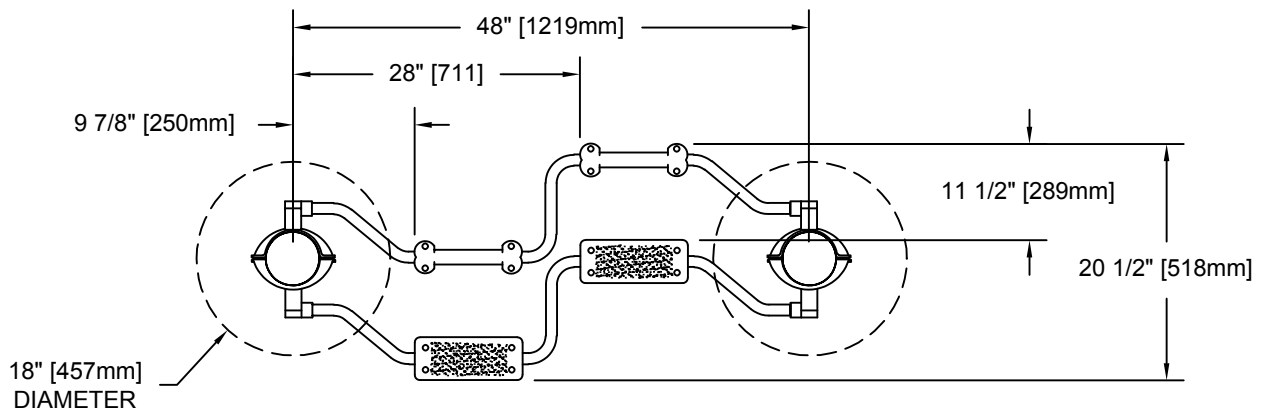
MAINTENANCE PROCEDURE:

Periodically check hardware for tightness, and tighten as necessary. Always check all parts for breakage or wear, and immediately put equipment out of service until any faulty parts are repaired or replaced. Check all decks for Plastisol-coating peeling and touch-up with Plastisol if necessary. Check for holes on deck, clean if necessary. Check periodically resilient surfacing for appropriate depth and remove extraneous materials that could cause injury, infection, or disease. Maintain detailed installation, inspection, maintenance, and repair records for each public-use playground equipment.

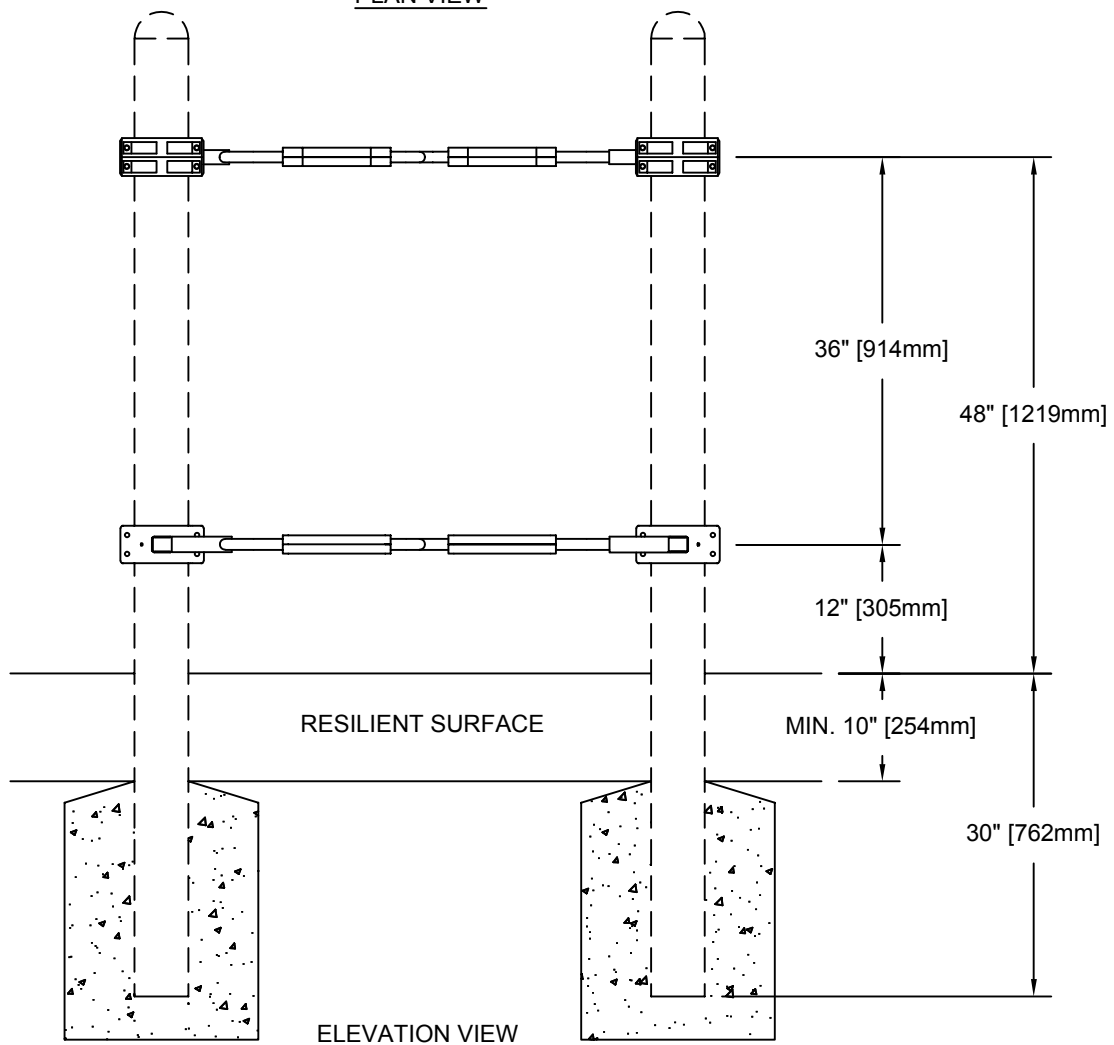
MODEL NO. 60075 Supermax Pedal Pusher



MODEL NO. 60075 Supermax Pedal Pusher



PLAN VIEW



ELEVATION VIEW

MODEL NO. 60075 Supermax Pedal Pusher

