

MODEL NO. 60079 Cliff Climber 48" - 56"

PARTS LIST

DESCRIPTION	No. REQ'D	PART NUMBER
Wall Panel	1	307552
Entry Archway	1	305992
Spiral Slide Spacer Plank	1	302066
Rock Kit	2	302288
Large Rock Panel	2	307691
Small Rock Panel	1	307692
Hardware Complete	1	307557
5" O.D. Deck Clamp	4	301989*
1/4" x 3/4" Drive Rivet	4	168449*
3/8" Barrel Nut	34	804804*
3/8" Flat Washer	14	817410*
3/8" Flat Washer (1 1/4" O.D.)	4	817424*
3/8" Heavy Hex Nut	4	804200*
3/8" x 1" P.B.H.C.S. w/Patch	4	812050*
3/8" x 1 1/2" P.B.H.C.S. w/Patch	4	812053*
3/8" x 1 3/4" P.B.H.C.S. w/Patch	2	812054*
3/8" x 2 3/4" P.B.H.C.S. w/Patch	4	812058*
3/8" x 3/4" P.B.H.C.S. w/Patch	16	812052*
3/8" x 1 1/4" P.B.H.C.S. w/Patch	8	812051*

*Unless Otherwise Specified, All Units of Measure are Each
Included in Hardware

Warning: Small parts and hardware items may present a potential choking hazard. Promptly remove all unused parts from play area. Any bolt end protruding more than two full threads beyond the face of the nut causes risk of clothing entanglement. Promptly cut-off flush, file smooth, and treat to prevent corrosion.

**Note: Peen Tee-Nuts and Flatwashers to match radius of pipe after assembly is complete.
Note: Loctite (supplied by others) should be used on any non-patch hardware.**

INSTALLATION INSTRUCTIONS:

NOTE: The Cliff Climber is designed to use with deck heights of 48" - 56"

1. Determine which deck is to receive the Cliff Climber. Refer to your overhead drawings for location.
2. Attach Deck Clamps to upright posts using Detail 001.
3. Attach Large and Small Rock Panels and Rock Kit pieces to Wall Panel using Details 174 and 194. (Refer to Finished Assembly for rock panel locations)
4. Attach top of Entry Archway to Deck Clamps using Detail 043.
5. Attach flange on bottom end of Entry Archway and the top of the assembled wall panel using Detail 173.
6. Attach Spacer Plank to Deck Clamps at bottom of assembled Wall Panel using Detail 195.

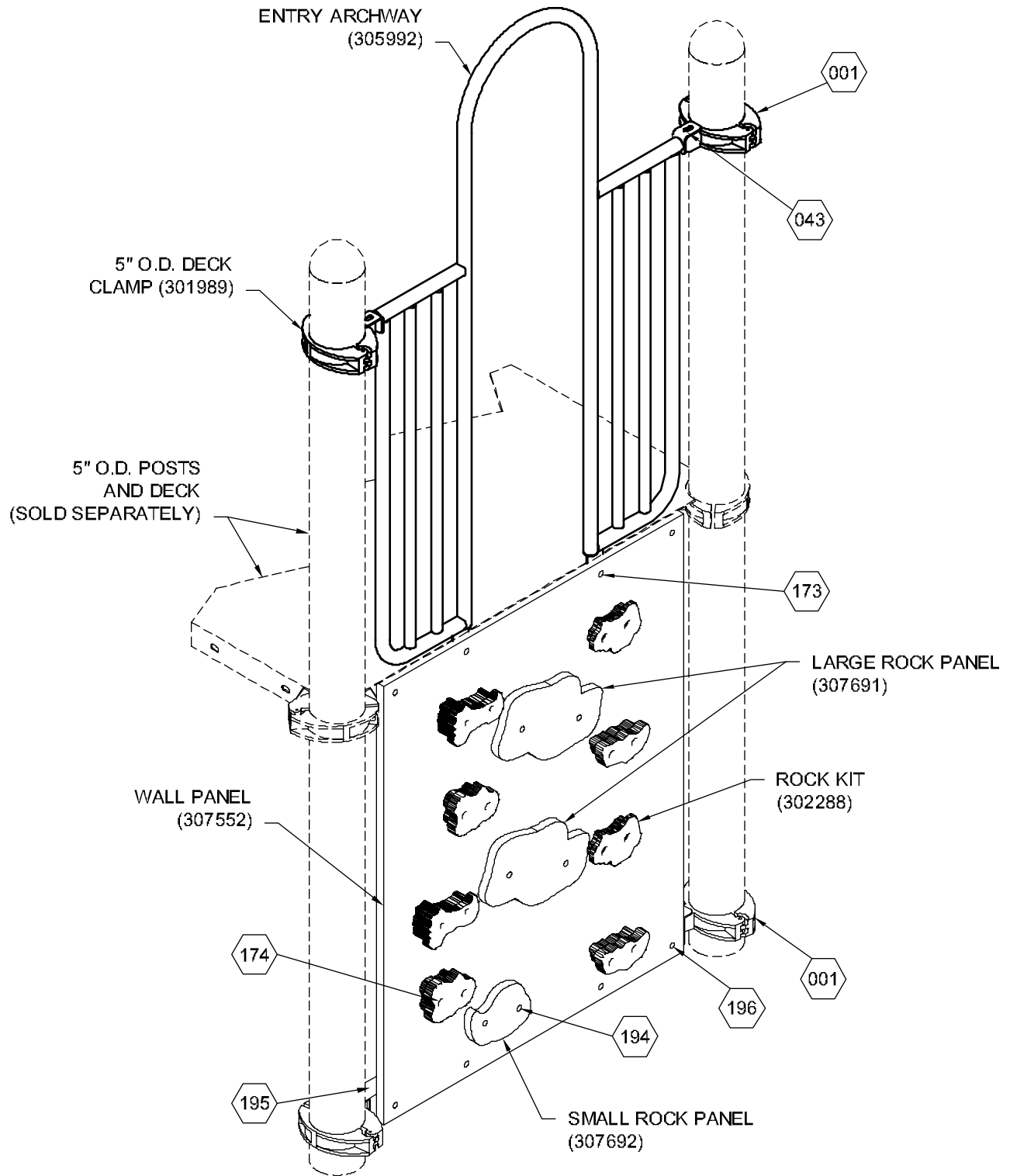
MODEL NO. 60079 Cliff Climber 48" - 56"

7. Attach assembled Wall Panel to Spacer Plank using Detail 196.
8. When the assembly is finished and satisfactory, install Drive Rivets in all clamps to ensure clamps cannot slide down posts. See Pipe Clamp sub-assembly sheet. It is very important that all Drive Rivets be installed before allowing use of the equipment, as clamps are not designed to support substantial weight without them. Also eliminate sharp points and sharp edges (burring) on installed hardware like bolts, nuts, etc.
9. Install resilient surfacing material within the use zone of play structure in accordance with ASTM specifications F1292 appropriate for the fall height of each structure. Refer to the Safety Guidelines.

MAINTENANCE PROCEDURE:

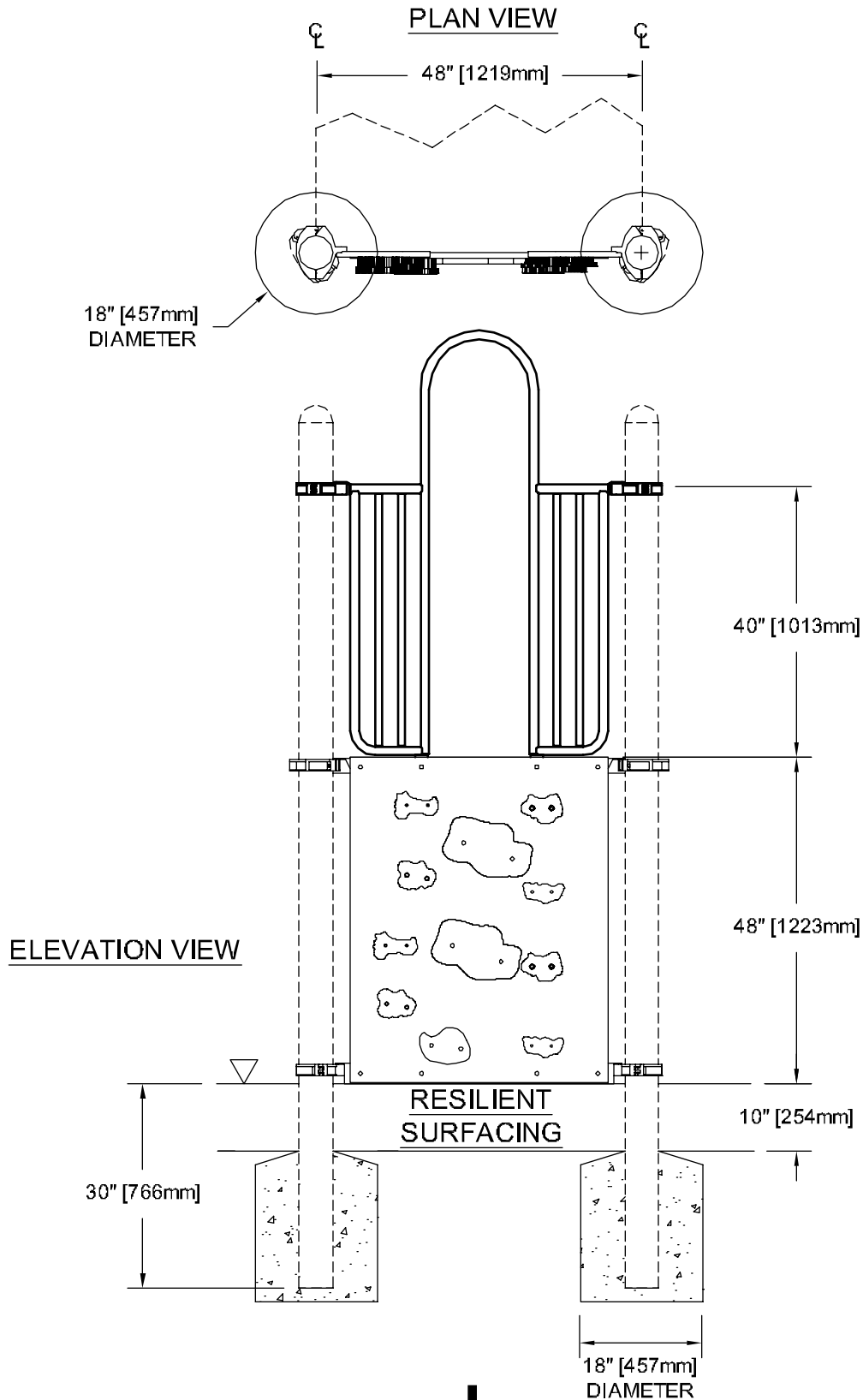
Periodically check hardware for tightness, and tighten as necessary. Always check all parts for breakage or wear, and immediately put equipment out of service until any faulty parts found are repaired or replaced. Also Check for rust or paint loss and touch-up if necessary with paint. Check welded areas and verify integrity. Check for cracks, gouges or breakage on plastic, check for integrity of the plastic, keep plastic clean of any extraneous substances, verify that any deformation does not create entrapment as specified on ASTM F1487 section 6. Check periodically resilient surfacing for appropriate depth and remove extraneous materials that could cause injury, infection, or disease. Maintain detailed installation, inspection, maintenance, and repair records for each public-use playground equipment.

MODEL NO. 60079 Cliff Climber 48" - 56"

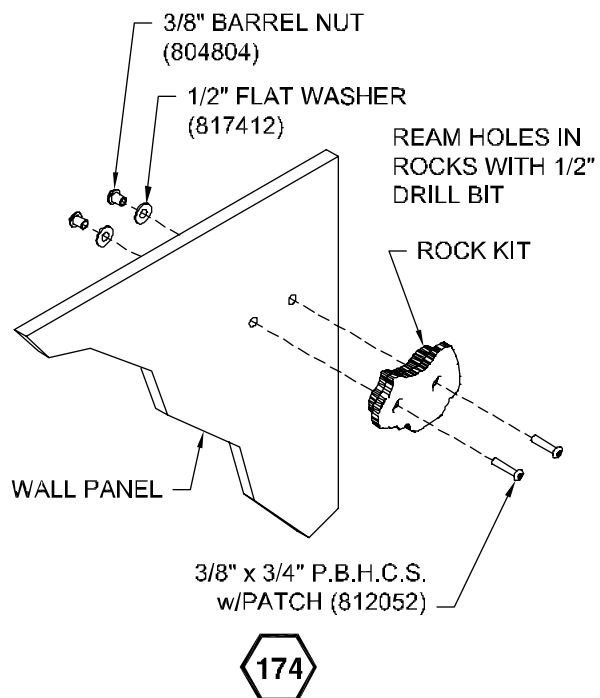
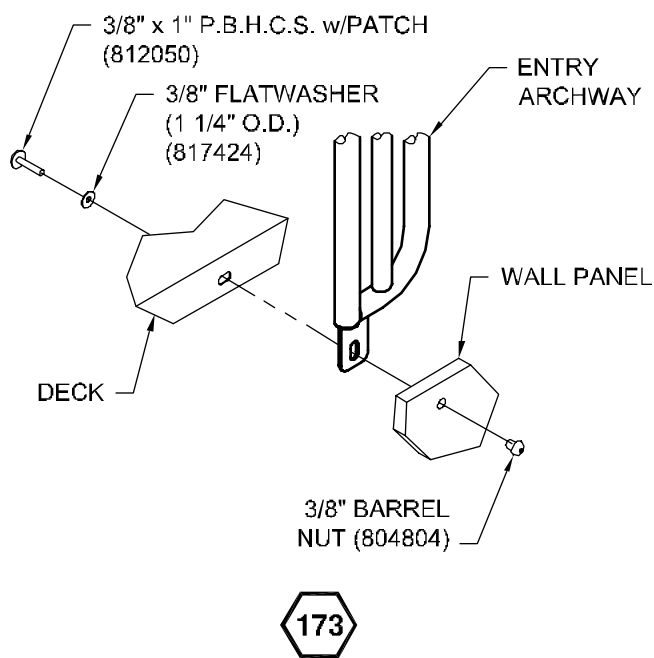
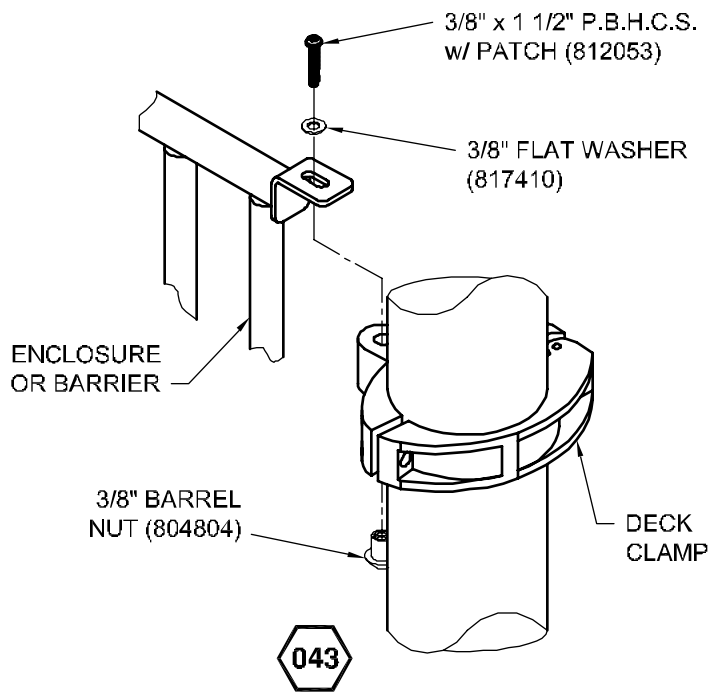
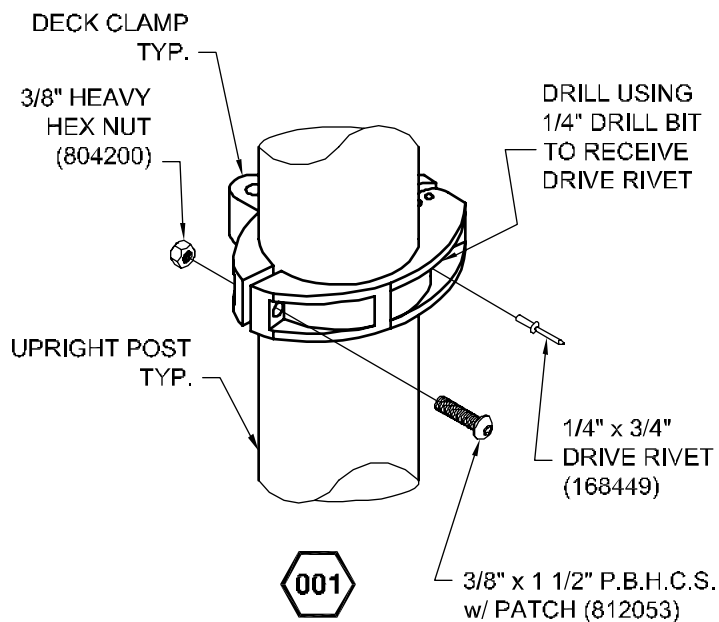


FINISHED ASSEMBLY

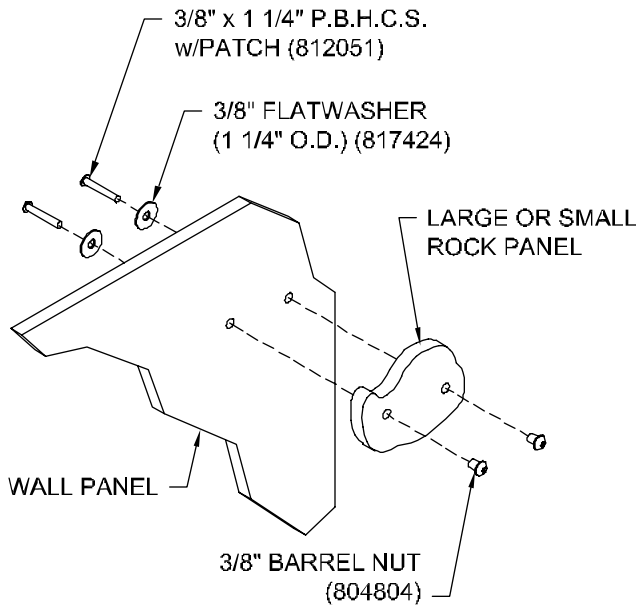
MODEL NO. 60079 Cliff Climber 48" - 56"



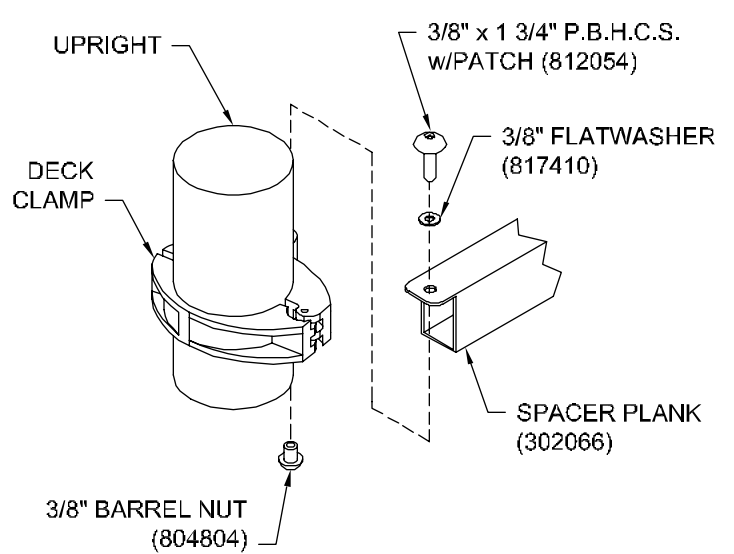
MODEL NO. 60079 Cliff Climber 48" - 56"



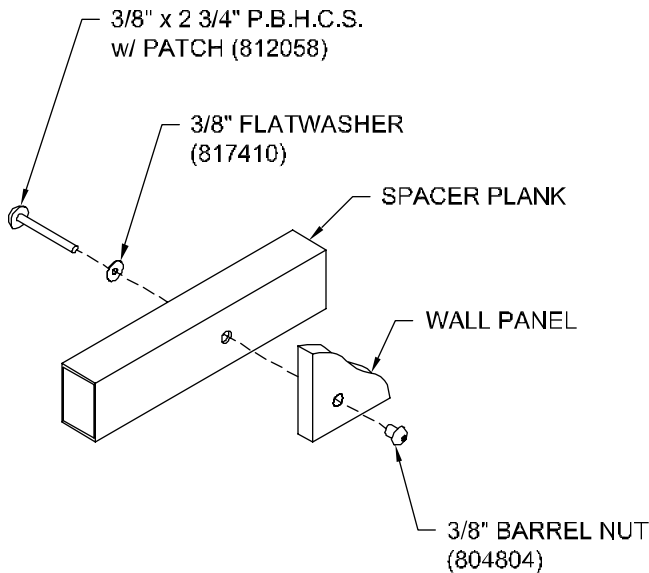
MODEL NO. 60079 Cliff Climber 48" - 56"



194



195



196