

MODEL NO. 60081 Flush Mount Semi-Hex & Square Decks

PARTS LIST

DESCRIPTION	No. REQ'D	PART NUMBER
Square Deck Platform	2	300213
Semi-Hex Platform	2	300185
Center Post/Bracket for Hex Deck	2	302654
Hardware Complete	1	302614
5" O.D. Deck Clamp	8	301989*
1/4" x 3/4" Drive Rivet	8	168449*
3/8" Barrel Nut	8	804804*
3/8" Flat Washer	6	817410*
3/8" Heavy Hex Nut	8	804200*
3/8" x 1 1/2" P.B.H.C.S. w/Patch	8	812053*
3/8" x 1 1/4" P.B.H.C.S. w/Patch	20	812051*
3/8" Lock Nut	26	804353*
3/8" Flat Washer (1 1/4" O.D.)	40	817424*

*Unless Otherwise Specified, All Units of Measure are Each
* Included in Hardware*

Warning: Small parts and hardware items may present a potential choking hazard. Promptly remove all unused parts from play area.

SPECIFICATIONS:

Clamps are cast from a 356 high-strength aluminum alloy with a baked on polyester powder-coated finish. Deck is fabricated from pre-punched steel sheet 11-gauge thickness with steel flat support bars welded underneath to increase strength. After welding, the entire platform is Plastisol-coated with a thickness of 50 to 80 mils on top wear surface. Average perforation size is 5/16" diameter after coating. Center Post is fabricated from 3/8" flat steel that is stainless steel welded to 2-3/8" O.D. 10-gauge galvanized steel tubing. Center Post receives a baked-on polyester powder-coated finish after fabrication.

All hardware is stainless steel.

Weight: 511 lb. / 232.3 kg.

INSTALLATION INSTRUCTIONS:

1. Dig Footings as shown in assembly diagram. Refer to your overhead drawing for location. Place Posts and Center Post in dug holes at appropriate height per Post installation instructions. Mark each Post at required Deck height as shown in the assembly diagram. (Note: Center post provided is for a 8' deck height, for lower deck heights cut corresponding amount from bottom of post. For example, a 5' deck height will require 36" removed from post.)

2. Attach a Deck Clamp to one corner bolt on first Deck and fasten using 3/8" Barrel Nut as shown in Detail "A". Do not tighten.

HINT: Locate and concrete one post only (preferably the most shared post), ensuring it is plumb and level at the right height. After it has had a chance to set, place one corner of the first Deck with its Deck Clamp attached against the post and mark the location of the adjacent post. Concrete the second post with a Deck Clamp attached. Continue this procedure for all remaining posts while leaving the Deck on the ground. The deck has been used as its own template, and the Decks are now easily attached as two of its posts are already in place.

3. Raise Deck with Deck Clamps to marks previously made on Posts, making sure to attach one corner to Center Post using 3/8" Lock Nuts with 3/8" Flat Washers as shown in Detail "B". Slightly tighten Clamps using 3/8" x 1-1/2" P.B.H.C.S. w/Patch with 3/8" Heavy Hex Nuts as shown.

NOTE: Where Decks are to join, ensure that one Clamp is turned so as to provide attachment for the other Deck(s). In order for the decks to be flush with the top of the Deck Clamps, bolts will have to be removed from under the decks in areas that conflict with the placement of the Deck Clamps.

MODEL NO. 60081 Flush Mount Semi-Hex & Square Decks

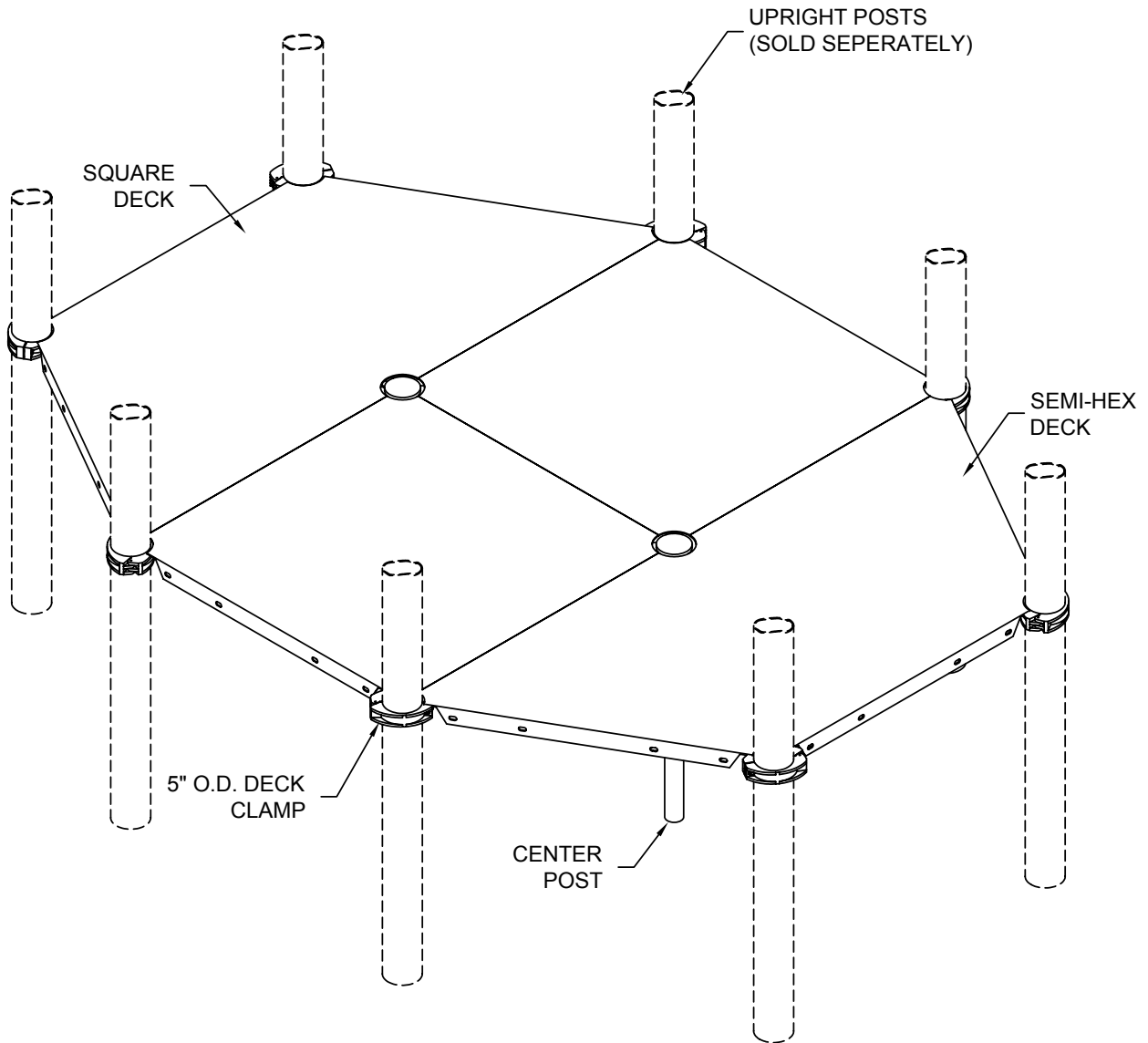
4. Using a level, and holding one Clamp as a constant, adjust the other Clamps so that the Deck is completely level. Plumb and brace Clamps in position.
5. Repeat steps 1-4 for the remaining Decks making sure that each deck is provided with at least three support points (including support point at Center Post). Attach Decks together at matching flanges using 3/8" x 1-1/4" P.B.H.C.S. w/Patch with 3/8" Flat Washers (1 1/4" O.D.), and 3/8" Lock Nuts as shown in the assembly drawing. Saw off all unused corner bolts.
6. Fully tighten all Deck Clamps and fasteners. Pour concrete footings within 4" to the top and taper away from posts to allow water drainage. Allow to cure at least 48 hours before use.
7. When structure is finished and satisfactory, install Drive Rivets in all Clamps to ensure Clamps cannot slide down Posts. See Deck Clamp sub-assembly sheet. Eliminate sharp points and sharp edges (burring) on installed hardware like bolts, nuts, etc. **It is very important that all Drive Rivets be installed prior to allowing use of the equipment, as Clamps are not designed to support substantial weight without them.** Install resilient surfacing material within the use zone of play structure in accordance with ASTM specifications F1292 appropriate for the fall height of each structure. Refer to the Safety Guidelines

Note: To cushion accidental falls by children, **Park Structures**, Inc. strongly recommends that the area under and around the play structure must be covered with a resilient material, such as sand, mulch, etc., to a minimum depth of 10" for sand. Approved rubber safety matting can also be used. For details, please refer to your Safety Guidelines, provided within the assembly instruction packet.

MAINTENANCE PROCEDURE:

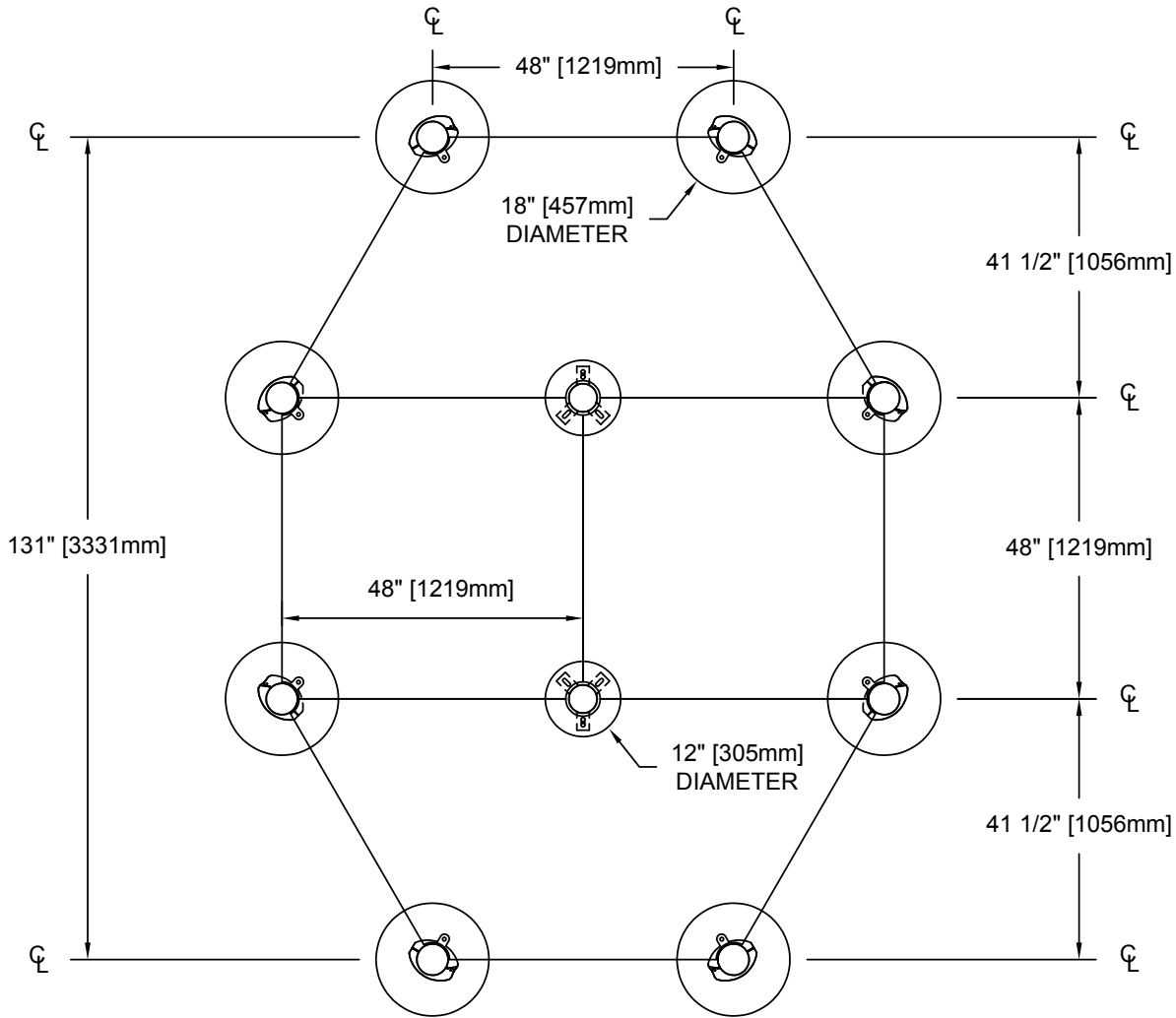
Periodically check hardware for tightness, and tighten as necessary. Always check all parts for breakage or wear, and immediately put equipment out of service until any faulty parts found are repaired or replaced. Check for rust or paint loss and touch-up if necessary with paint. Check welded areas and verify integrity. Check Plastisol-coating for bare spots and touch-up with Plastisol if necessary. Clear any trapped debris from deck perforations. Check periodically resilient surfacing for appropriate depth and remove extraneous materials that could cause injury, infection, or disease. Maintain detailed installation, inspection, maintenance, and repair records for each public-use playground equipment.

MODEL NO. 60081 Flush Mount Semi-Hex & Square Decks

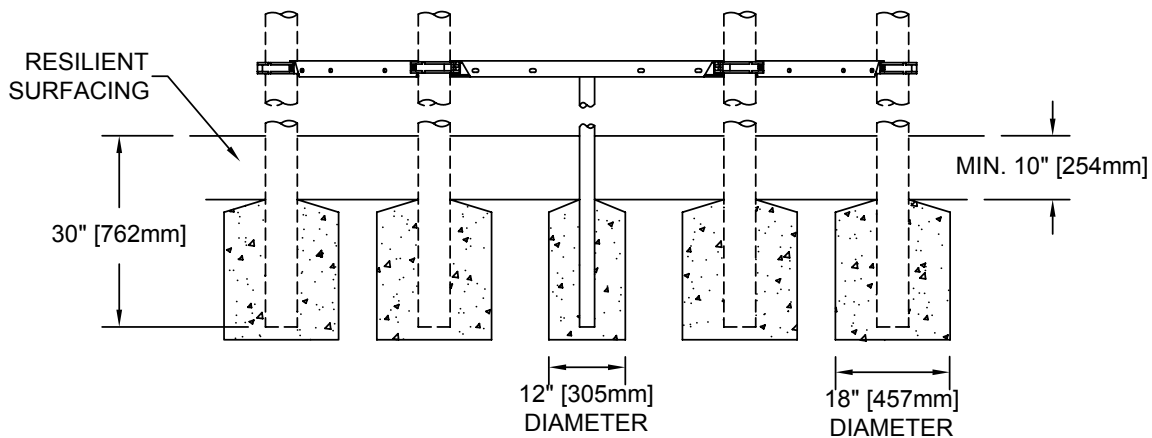


FINISHED ASSEMBLY

MODEL NO. 60081 Flush Mount Semi-Hex & Square Decks

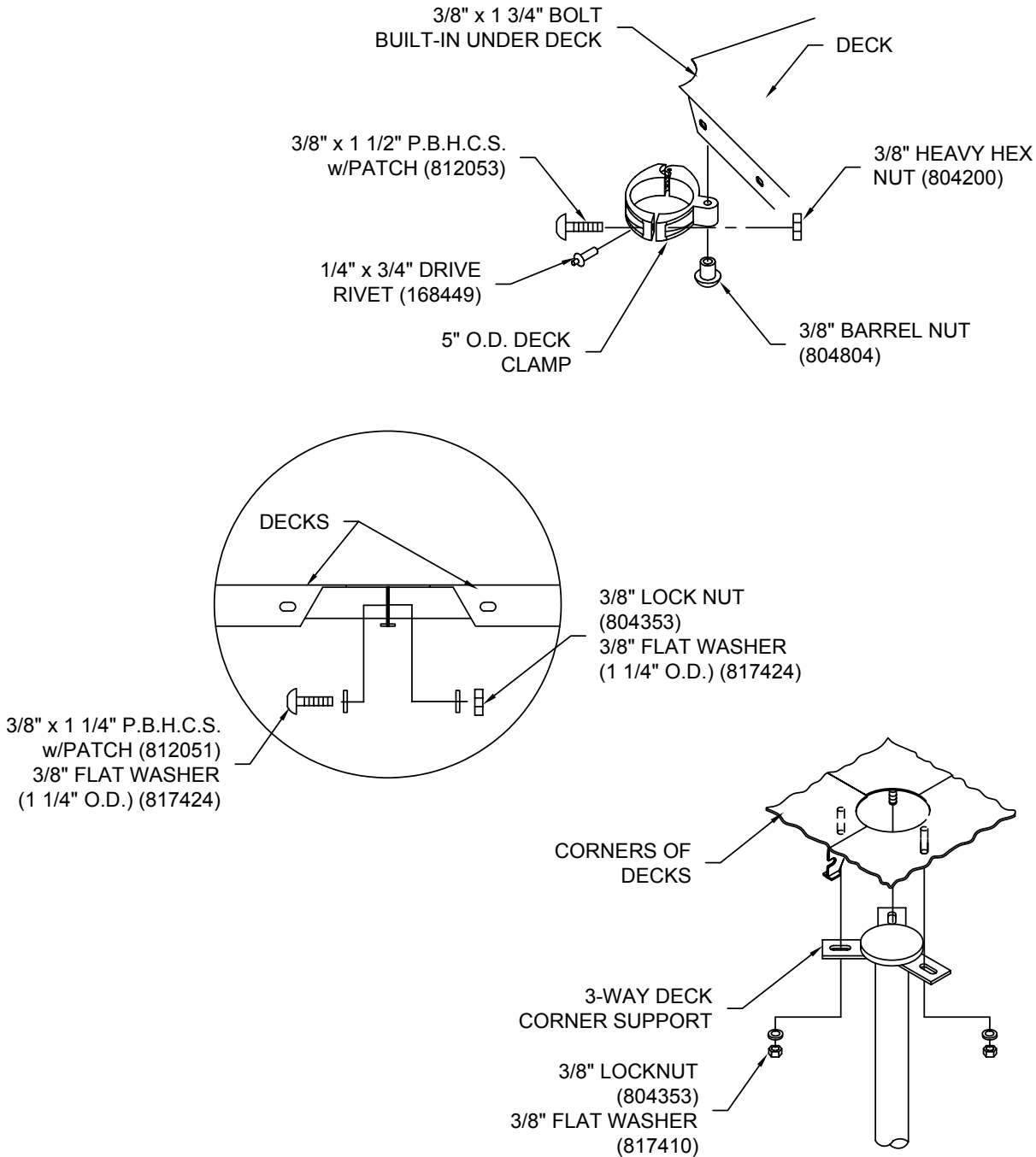


PLAN VIEW



ELEVATION VIEW

MODEL NO. 60081 Flush Mount Semi-Hex & Square Decks



SEMI-HEX & SQUARE DECKS ASSEMBLY