

MODEL NO. 60100 Climbing Wall

PARTS LIST

DESCRIPTION	No. REQ'D	PART NUMBER
Climbing Wall Panel	1	307794
Hardware Complete	1	302755
5" O.D. Panel Clamp	6	302099*
1/4" x 3/4" Drive Rivet	6	168449*
3/8" Barrel Nut	6	804804*
3/8" Flat Washer	6	817410*
3/8" Heavy Hex Nut	6	804200*
3/8" x 1 1/2" P.B.H.C.S. w/Patch	12	812053*

*Unless Otherwise Specified, All Units of Measure are Each
Included in Hardware

Warning: Small parts and hardware items may present a potential choking hazard. Promptly remove all unused parts from play area. Any bolt end protruding more than two full threads beyond the face of the nut causes risk of clothing entanglement. Promptly cut-off flush, file smooth, and treat to prevent corrosion.

Note: Peen Tee-Nuts and Flatwashers to match radius of pipe after assembly is complete.

Note: Loctite (supplied by others) should be used on all threaded hardware.

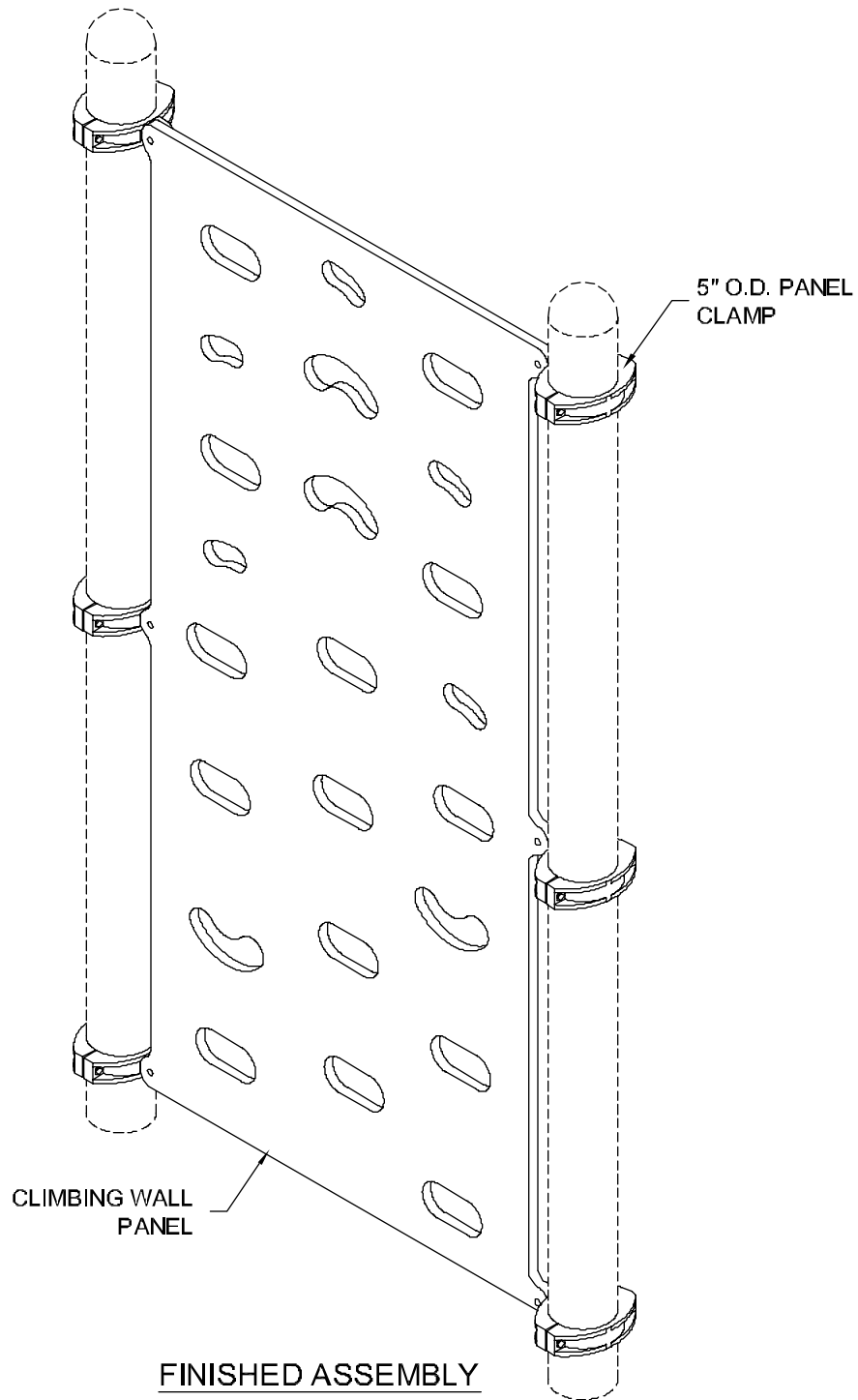
INSTALLATION INSTRUCTIONS :

1. Dig footings at locations in the plan view.
2. Attach Climbing Wall Panel to Panel Clamps (refer to separate Panel Clamp Sub-assembly for details) using 1-1/2" P.B.H.C.S. w/Patch, 3/8" Flat Washers, and 3/8" Barrel Nuts as shown in assembly diagram.
3. Plumb and level the entire assembly and brace in position. Tighten all fasteners.
4. Pour concrete footings within 4" to the top and taper away from posts to allow water drainage. Allow to cure at least 48 hours before use.
5. When the structure is finished and satisfactory, install Drive Rivets in all clamps to ensure clamps cannot slide down posts. See Pipe Clamp Sub-assembly sheet. ***It is very important that all Drive Rivets be installed prior to allowing use of the equipment, as clamps are not designed to support substantial weight without them.*** Also eliminate sharp points and sharp edges (burring) on installed hardware like bolts, nuts, etc. Install resilient surfacing material within the use zone of play structure in accordance with ASTM specifications F1292 appropriate for the fall height of each structure. Refer to the Safety Guidelines.

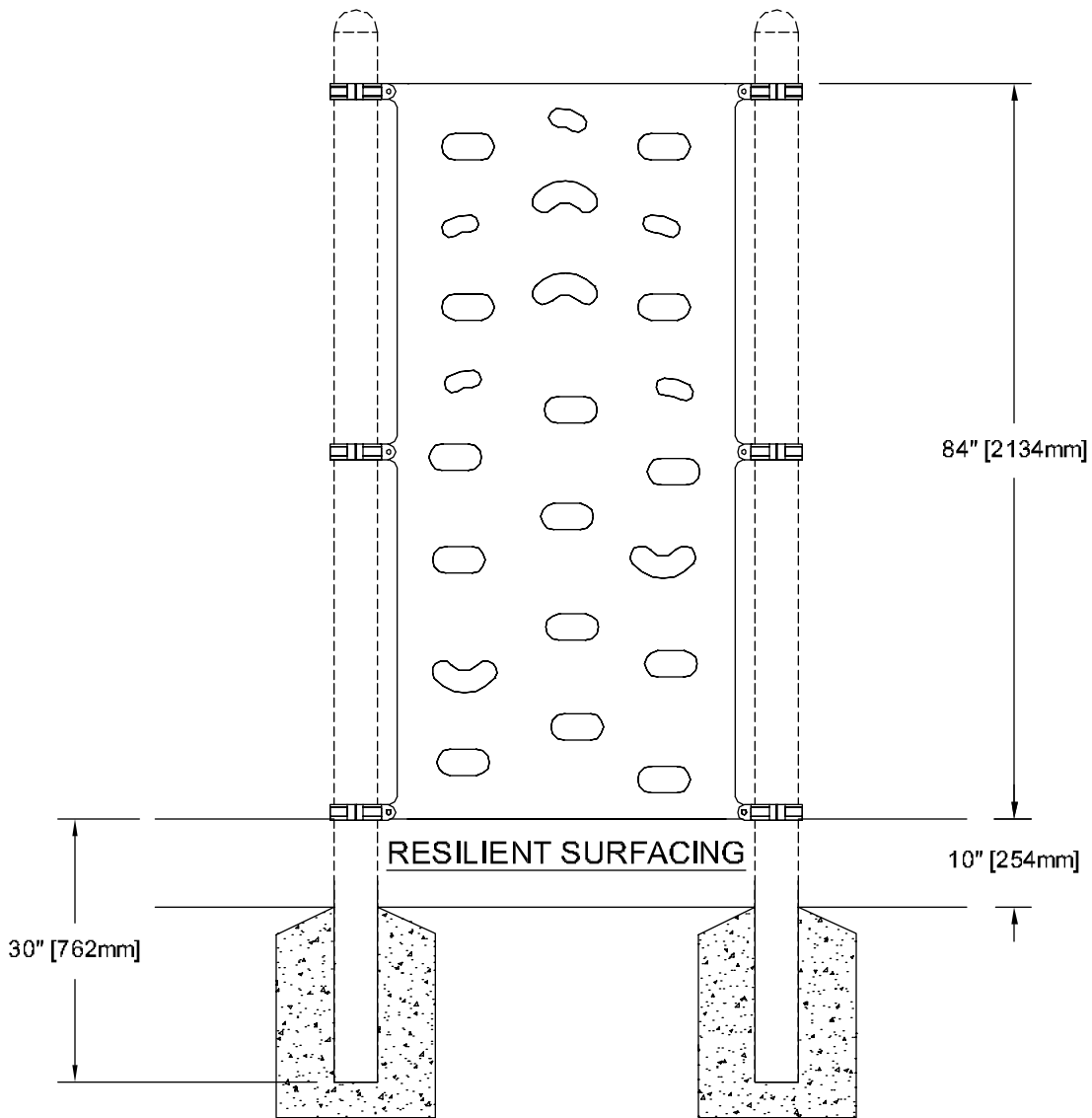
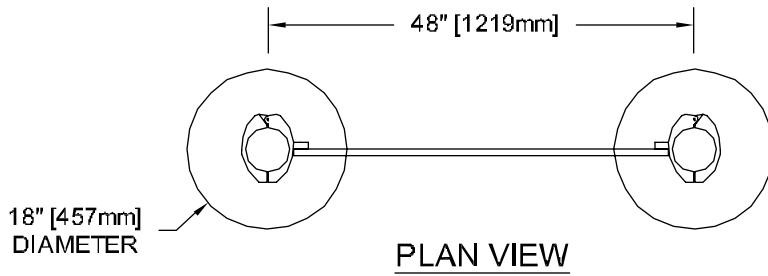
MAINTENANCE PROCEDURE :

Periodically check hardware for tightness, and tighten as necessary. Always check all parts for breakage or wear, and immediately put equipment out of service until any faulty parts found are repaired or replaced. Check for rust, paint loss and touch-up if necessary with paint. Check for welded areas and verify integrity. Check for cracks, gouges or breakage on plastic, check for integrity of the plastic, keep plastic clean of any extraneous substances, verify that any deformation does not create entrapment as specified on ASTM F1487 section 6. Check periodically resilient surfacing for appropriate depth and remove extraneous materials that could cause injury, infection, or disease. Maintain detailed installation, inspection, maintenance, and repair records for each public-use playground equipment.

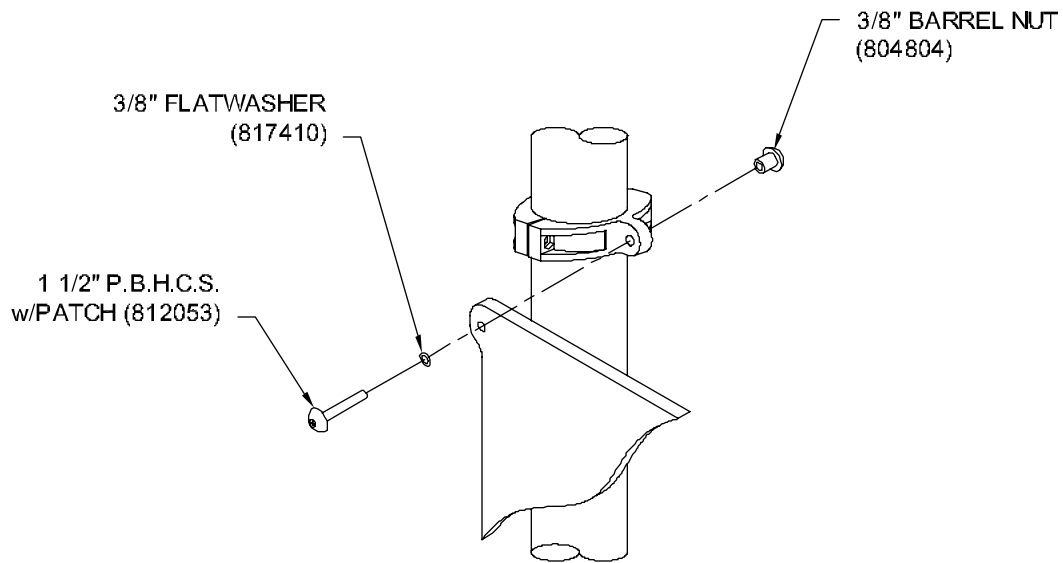
MODEL NO. 60100 Climbing Wall



MODEL NO. 60100 Climbing Wall



MODEL NO. 60100 Climbing Wall



ASSEMBLY DIAGRAM