

## MODEL NO. 60100 CLIMBING WALL

Parts List			
ITEM	DESCRIPTION	QTY	PART NUMBER
1	CLIMBING WALL	1	310209
2	FOOTBUCK	1	310270
	HARDWARE COMPLETE	1	310213
	5" O.D. PANEL CLAMP	4	302099*
	3/8" x 1 3/4" P.B.H.C.S. w/PATCH	3	812054*
	3/8" FLAT WASHER	7	817410*
	3/8" LOCKWASHER	3	817334*
	3/8" T-NUT	3	804556*
	3/8" x 1 1/2" P.B.H.C.S. w/ PATCH	8	812053*
	3/8" BARREL NUT	4	804804*
	3/8" HEAVY HEX NUT	4	804200*
	1/4" x 3/4" DRIVE RIVET	4	168449*

*Unless Otherwise Specified, All Units of Measure are Each  
Items listed below Hardware Complete line are included with Hardware Complete Number*

**Warning: During Installation, Hardware And Small Parts Are Choking Hazards For Young Children. Store Unused Parts Appropriately Until Assembly Is Completed. Once Assembly Is Completed, Remove Any Unused Parts From The Play Environment And Dispose/Save Them In A Secure Location.**

**Note: Peen Tee-Nuts and Flatwashers to match radius of pipe after assembly is complete.**

**Note: Loctite (supplied by others) should be used on any non-patch hardware.**

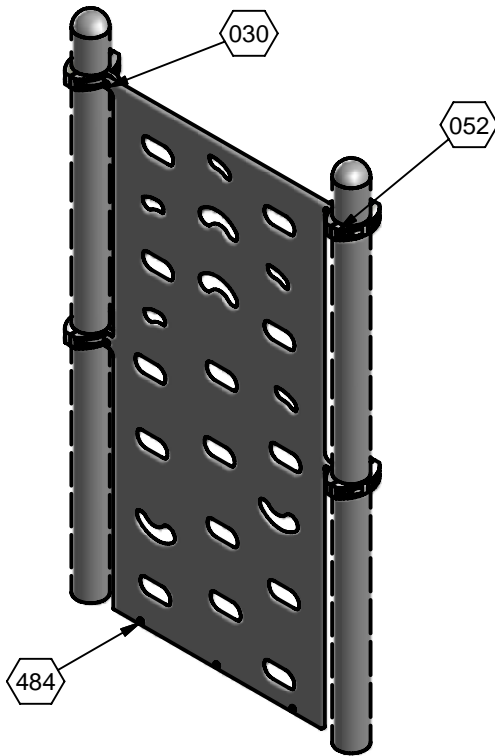
### INSTALLATION INSTRUCTIONS:

1. Dig footings at locations indicated in the Plan View.
2. Attach climbing Wall Panel to Panel Clamps using 1 1/2" P.B.H.C.S. W/ Patch, 3/8" Flatwashers, and 3/8" Barrel Nuts as shown in assembly Diagram and Detail 030. Attach Panel Clamps to uprights using 3/8" x 1 1/2" P.B.H.C.S. w/ Patch and 3/8" Heavy Hex Nut as shown in Detail 052 . Attach Footbuck to Panel using 3/8" x 1 3/4" P.B.H.C.S. W/ Patch, 3/8" Lockwasher, and 3/8" T-Nut as shown in Detail 484.
3. Plumb and level the entire assembly and brace in position. Tighten all fasteners.
4. Pour concrete footings to within 4" to the top and taper away from posts to allow water drainage. Allow to cure at least 48 hours before use.
5. When the structure is finished and satisfactory, install Drive Rivets in all clamps to ensure clamps cannot slide down posts. See Pipe Clamp Sub-assembly sheet. It is very important that all Drive rivets be installed prior to allowing use of the equipment, as clamps are not designed to support substantial weight without them. Also eliminate sharp points and sharp edges (burring) on installed hardware like bolts, nuts, etc. Install resilient surfacing material within the use zone of play structure in accordance with ASTM specifications F1292 appropriate for the fall height of each structure. Refer to the Safety Guidelines.

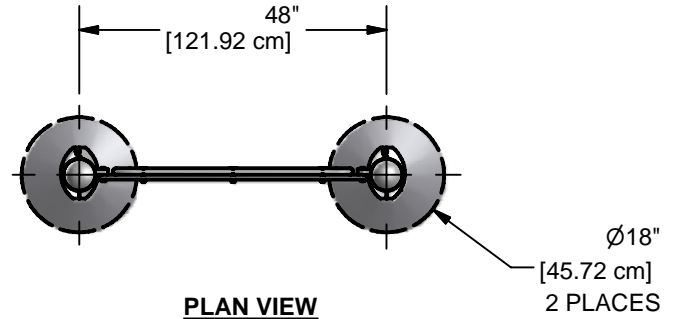
### MAINTENANCE PROCEDURE:

Periodically check hardware for tightness, and tighten as necessary. Always check all parts for breakage or wear, and immediately put equipment out of service until any faulty parts found are repaired or replaced. Also Check all metal parts for rust, paint loss and touch-up if necessary with paint. Check for welded areas and verify integrity. Check periodically resilient surfacing for appropriate depth and remove extraneous materials that could cause injury, infection, or disease. Maintain detailed installation, inspection, maintenance, and repair records for each public-use playground equipment.

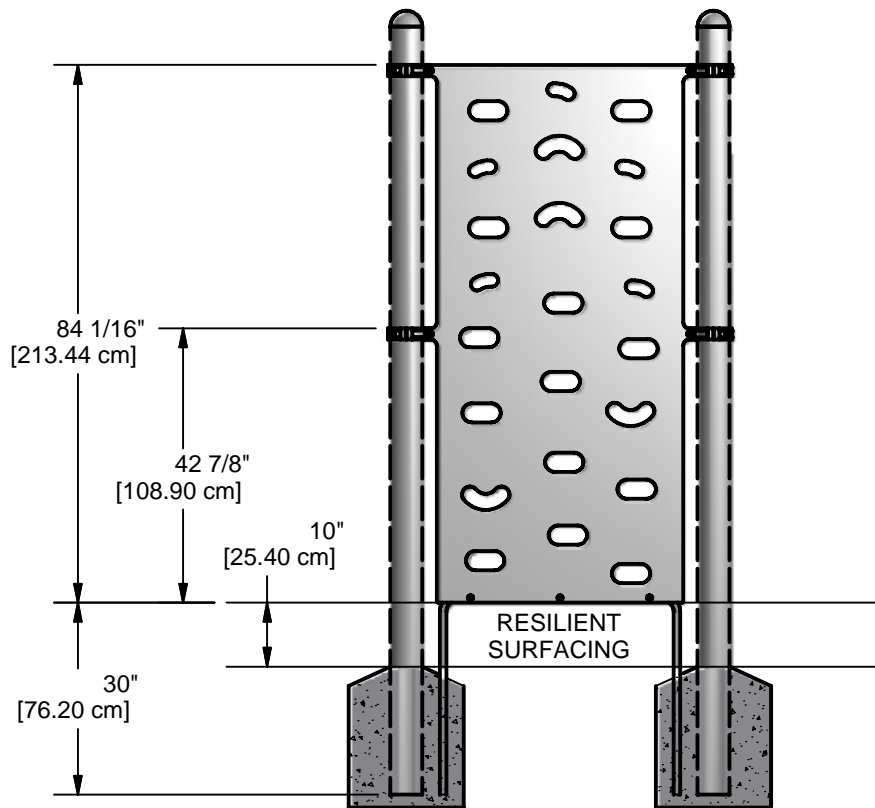
## MODEL NO. 60100 CLIMBING WALL



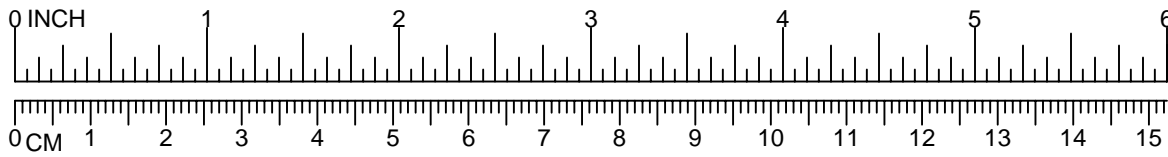
**FINISHED ASSEMBLY**



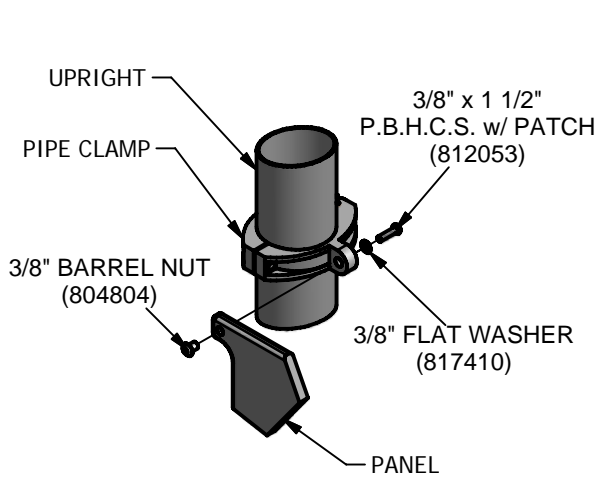
**PLAN VIEW**



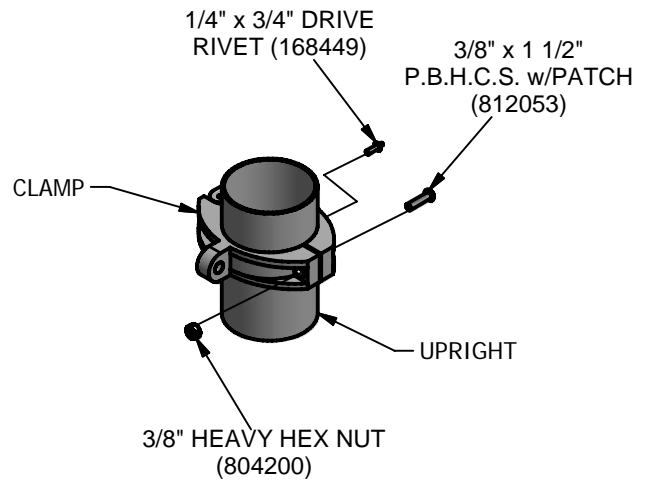
**ELEVATION VIEW**



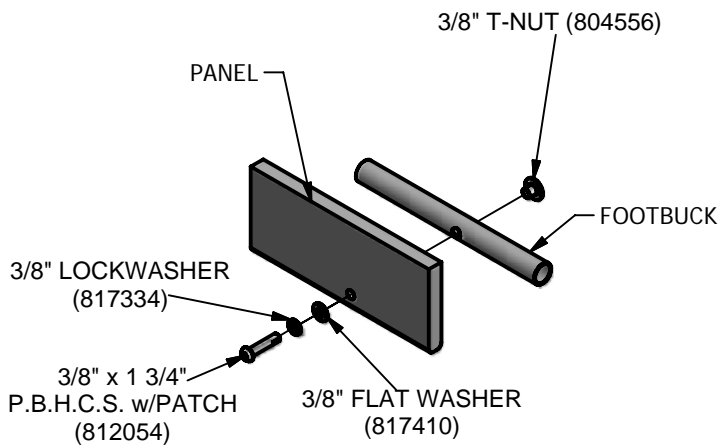
# MODEL NO. 60100 CLIMBING WALL



030



052



484