

MODEL NO. 60101 Fireman's Pole (2'8", 3'4", and 4' Deck)

PARTS LIST

DESCRIPTION	No. REQ'D	PART NUMBER
Fireman's Pole	1	302771
Vertical Pole Barrier	1	302761
Hardware Complete	1	302775
5" O.D. Deck Clamp	2	301989*
1/4" x 3/4" Drive Rivet	2	168449*
3/8" Barrel Nut	3	804804*
3/8" Lock Nut	2	804353*
3/8" Flat Washer	5	817410*
3/8" (1 1/4" O.D.) Flat Washer	2	817424*
3/8" Heavy Hex Nut	2	804200*
3/8" x 1" P.B.H.C.S. w/ Patch	2	812050*
3/8" x 1 1/2" P.B.H.C.S. w/ Patch	3	812053*
3/8" x 1 3/4" P.B.H.C.S. w/ Patch	2	812054*

**Unless Otherwise Specified, All Units of Measure are Each
*Included in Hardware**

Warning: Small parts and hardware items may present a potential choking hazard. Promptly remove all unused parts from play area.

SPECIFICATIONS:

Clamps are cast from 356 high-strength aluminum alloy with a baked on polyester powder-coated paint finish. Vertical Pole Barrier is fabricated from 1-5/16", 1-5/8" O.D. galvanized steel tubing and 11-gauge galvanized tabs, using only stainless steel welds. Entire frame is coated after fabrication with a baked on polyester powder-coat finish. Fireman's Pole is a straight 1-5/8" O.D. galvanized steel tube with a 1-5/16" reduced end fitting for insertion into Vertical Pole Barrier overhead extension.

All hardware is stainless steel.

Weight: 70 lb. / 31.8 kg

INSTALLATION INSTRUCTIONS:

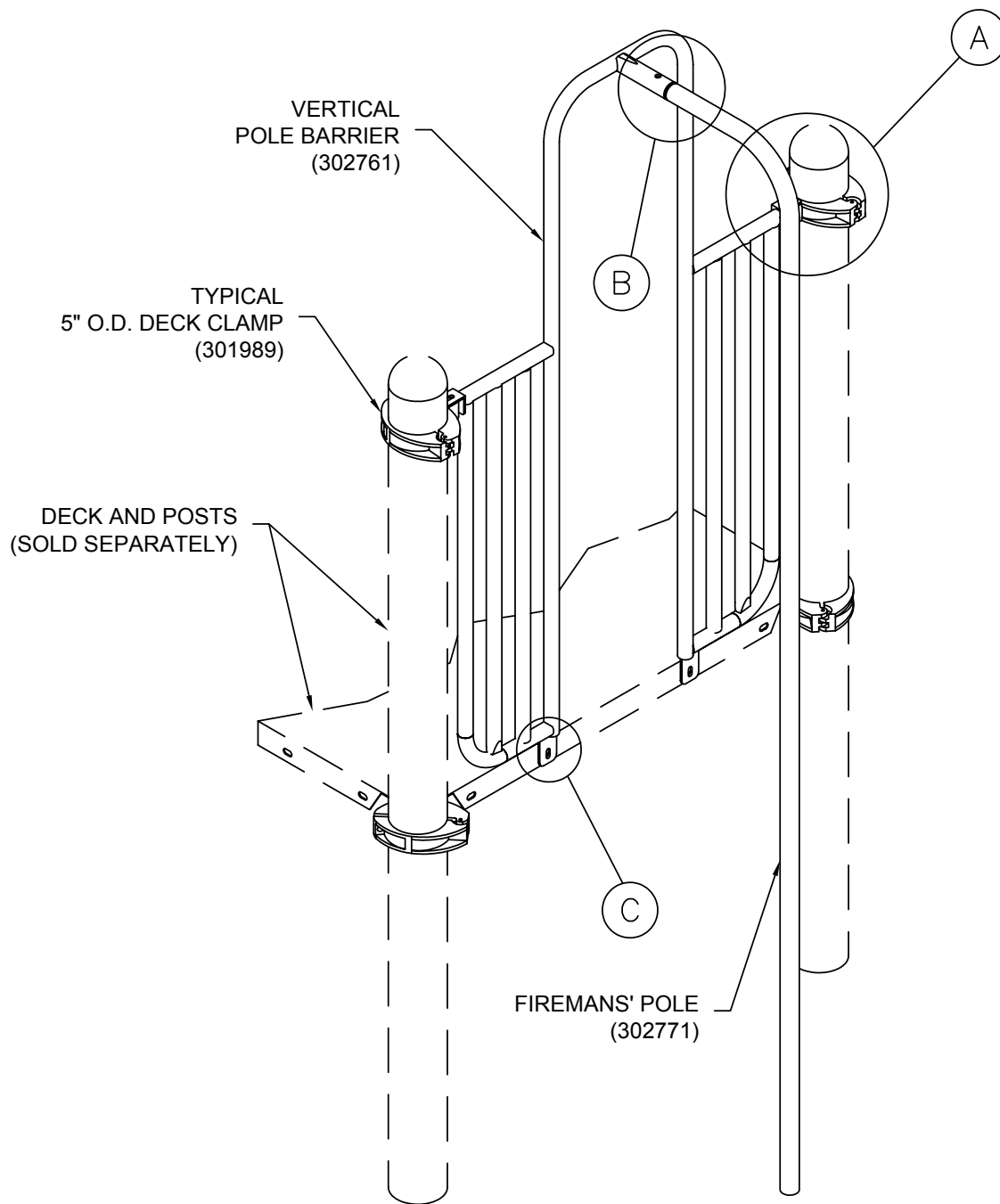
- Determine deck is to receive the Fireman's Pole, and dig footings at location and depth as shown. Note depth shown is for 4' deck. Increase Depth for lower deck heights. Refer to your overhead drawing for location.
- Attach the Vertical Pole Barrier to Upright Posts using Deck Clamps, 3/8" x 1-3/4" P.B.H.C.S. with Patch with 3/8" Flat Washers and 3/8" Barrel Nuts as shown. Do not fully tighten clamps. Attach the lower end of Vertical Pole Barrier to the holes on a side of the Deck using 3/8" x 1" P.B.H.C.S. with Patch with 3/8" Flat Washers and 3/8" Lock Nuts with 3/8" (1 1/4" O.D.) Flat Washers as shown in Assembly Diagram. Tight clamps making sure Vertical Pole Barrier is plumb.
- Place Fireman's Pole into dug hole and insert the top reduced end into overhead extension pipe of the Vertical Pole Barrier and secure it with 3/8" x 1-1/2" P.B.H.C.S. with Patch with 3/8" Flat Washer and 3/8" Barrel Nut as shown.
- When the Fireman's Pole is plumb and level, tighten all fasteners and pour concrete footings within 4" to the top and taper away from support posts to allow water drainage. Allow to cure at least 48 hours before use.
- When the assembly is finished and satisfactory, install Drive Rivets in all clamps to ensure clamps cannot slide down posts. See Deck Clamp sub-assembly sheet. ***It is very important that all Drive Rivets be installed before allowing use of the equipment, as clamps are not designed to support substantial weight without them.*** Also eliminate sharp points and sharp edges (burring) on installed hardware like bolts, nuts, etc. Install resilient surfacing material within the use zone of play structure in accordance with ASTM specifications F1292 appropriate for the fall height of each structure. Refer to the Safety Guidelines.

MODEL NO. 60101 Fireman's Pole (2'8", 3'4", and 4' Deck)

MAINTENANCE PROCEDURE:

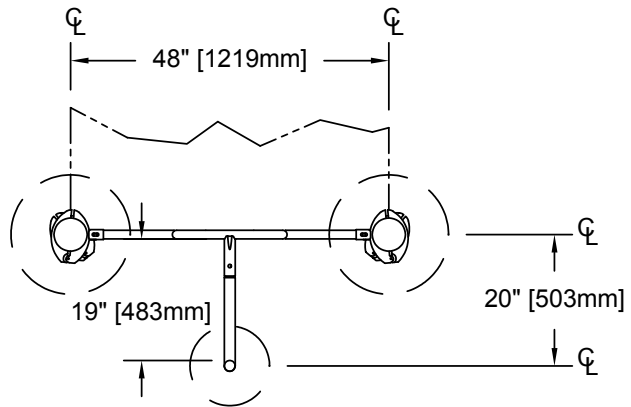
Periodically check hardware for tightness, and tighten as necessary. Always check all parts for breakage or wear, and immediately put equipment out of service until any faulty parts found are repaired or replaced. Also Check all metal parts for rust, paint loss and touch-up if necessary with paint. Check for welded areas and verify integrity. Check periodically resilient surfacing for appropriate depth and remove extraneous materials that could cause injury, infection, or disease. Maintain detailed installation, inspection, maintenance, and repair records for each public-use playground equipment.

MODEL NO. 60101 Fireman's Pole (2'8", 3'4", and 4' Deck)

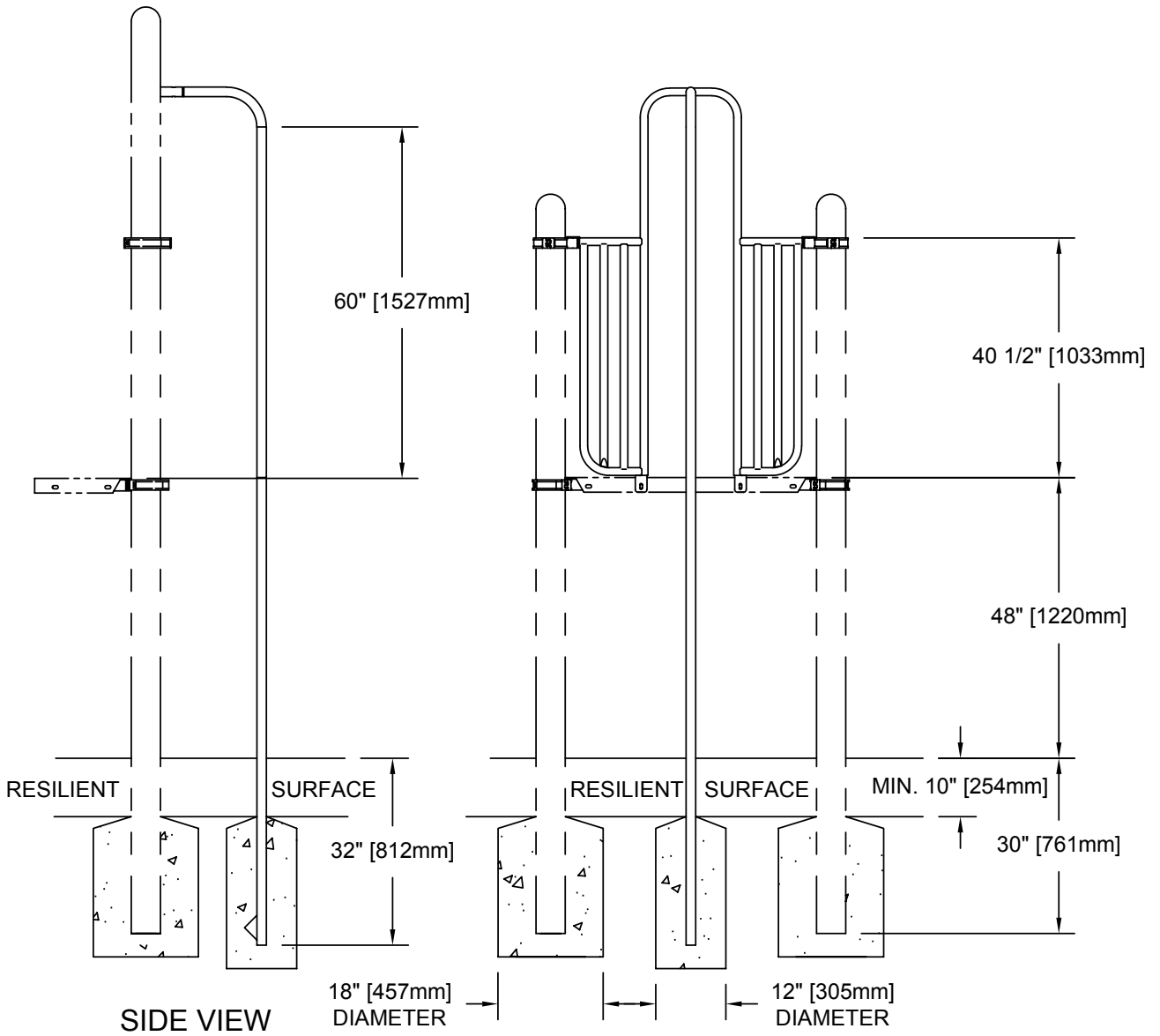


FINISHED ASSEMBLY

MODEL NO. 60101 Fireman's Pole (2'8", 3'4", and 4' Deck)



PLAN VIEW



SIDE VIEW

ELEVATION VIEW

MODEL NO. 60101 Fireman's Pole (2'8", 3'4", and 4' Deck)

