

MODEL NO. 60104 Mount Everest- 96"

PARTS LIST

DESCRIPTION	No. REQ'D	PART NUMBER
Mount Everest Frame	1	300932
Mount Everest Handle Bar	1	300935
Hardware Complete	1	302781
5" O.D. Half Clamp	6	301001*
1/4" x 3/4" Drive Rivet	6	168449*
3/8" Flat Washer	12	817410*
3/8" X 1 1/2" P.B.H.C.S. w/ Patch	12	812053*
3/8" Heavy Hex Nut	12	804200*

**Unless Otherwise Specified, All Units of Measure are Each
*Included in Hardware**

Warning: Small parts and hardware items may present a potential choking hazard. Promptly remove all unused parts from play area. Any bolt end protruding more than two full threads beyond the face of the nut causes risk of clothing entanglement. Promptly cut-off flush, file smooth, and treat to prevent corrosion.

Note: Peen Tee-Nuts and Flatwashers to match radius of pipe after assembly is complete.

SPECIFICATIONS:

Clamps are cast from a 356 high-strength aluminum alloy with a baked-on polyester powder-coated finish. Handle Bar is formed from 1-5/16" O.D. galvanized steel tubing stainless steel welded to 5" O.D. steel Half Clamps for attachment and receives a baked-on polyester powder-coated finish. Frame consists of 2-3/8" O.D. galvanized steel tubing, 1-5/16" O.D. galvanized steel tubing and 5" O.D. steel Half Clamps (for attachment), welded using stainless steel and receives a baked-on polyester powder-coated finish.

All hardware is stainless steel.

Weight: 103 lbs. / 46.8 kg.

Installation Instructions:

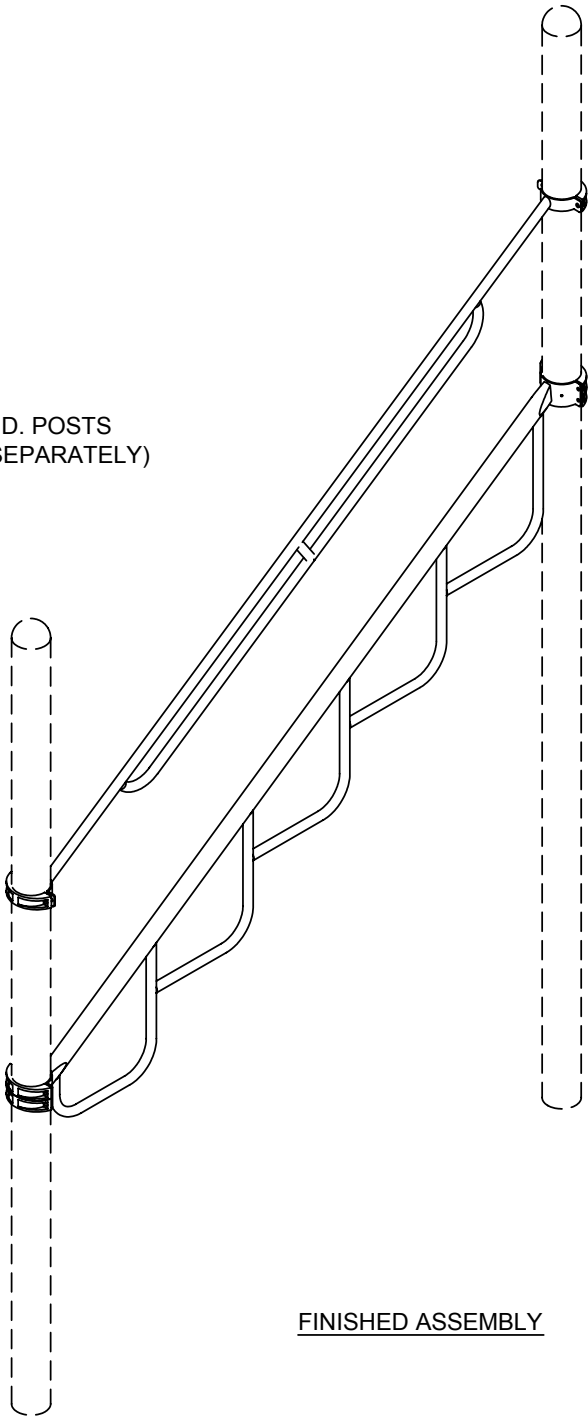
1. Locate the Posts intended to receive the Mount Everest. They should be spaced 8' apart. Dig footings as shown in the assembly diagram. Refer to your overhead drawing for location.
2. Attach Frame to Posts approximately 20" and 82" above finished ground level using Half Clamps, 3/8" x 1-1/2" P.B.H.C.S. w/ Patch with 3/8" Flat Washers and 3/8" Heavy Hex Nuts with 3/8" Flat Washers as shown. Loosely tighten Clamps.
3. Attach Handle Bar to Posts approximately 50-1/2" and 111-1/2" above finished ground level using Half Clamps, 3/8" x 1-1/2" P.B.H.C.S. w/ Patch with 3/8" Flat Washers and 3/8" Heavy Hex Nuts with 3/8" Flat Washers as shown. Loosely tighten Clamps.
4. When the assembly is finished and satisfactory, install Drive Rivets in half clamps to ensure clamps cannot slide down posts. See Pipe Clamp sub-assembly sheet. **It is very important that all Drive Rivets be installed prior to allowing use of the equipment, as clamps are not designed to support substantial weight without them.** Eliminate sharp points and sharp edges (burring) on installed hardware like bolts, nuts, etc. Install resilient surfacing material within the use zone of play structure in accordance with ASTM specifications F1292 appropriated for the fall height of each structure. Refer to the *Safety Guidelines*.

MAINTENANCE PROCEDURE:

Periodically check hardware for tightness, and tighten as necessary. Always check all parts for breakage or wear, and immediately put equipment out of service until any faulty parts are repaired or replaced. Check all decks for Plastisol-coating peeling and touch-up with Plastisol if necessary. Check for holes on deck, clean if necessary. Check periodically resilient surfacing for appropriate depth and remove extraneous materials that could cause injury, infection, or disease. Maintain detailed installation, inspection, maintenance, and repair records for each public-use playground equipment.

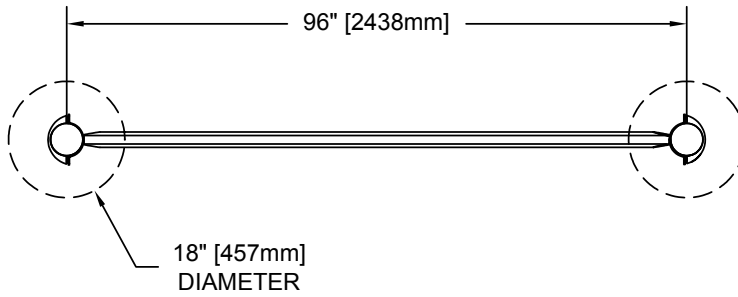
MODEL NO. 60104 Mount Everest- 96"

5" O.D. POSTS
(SOLD SEPARATELY)

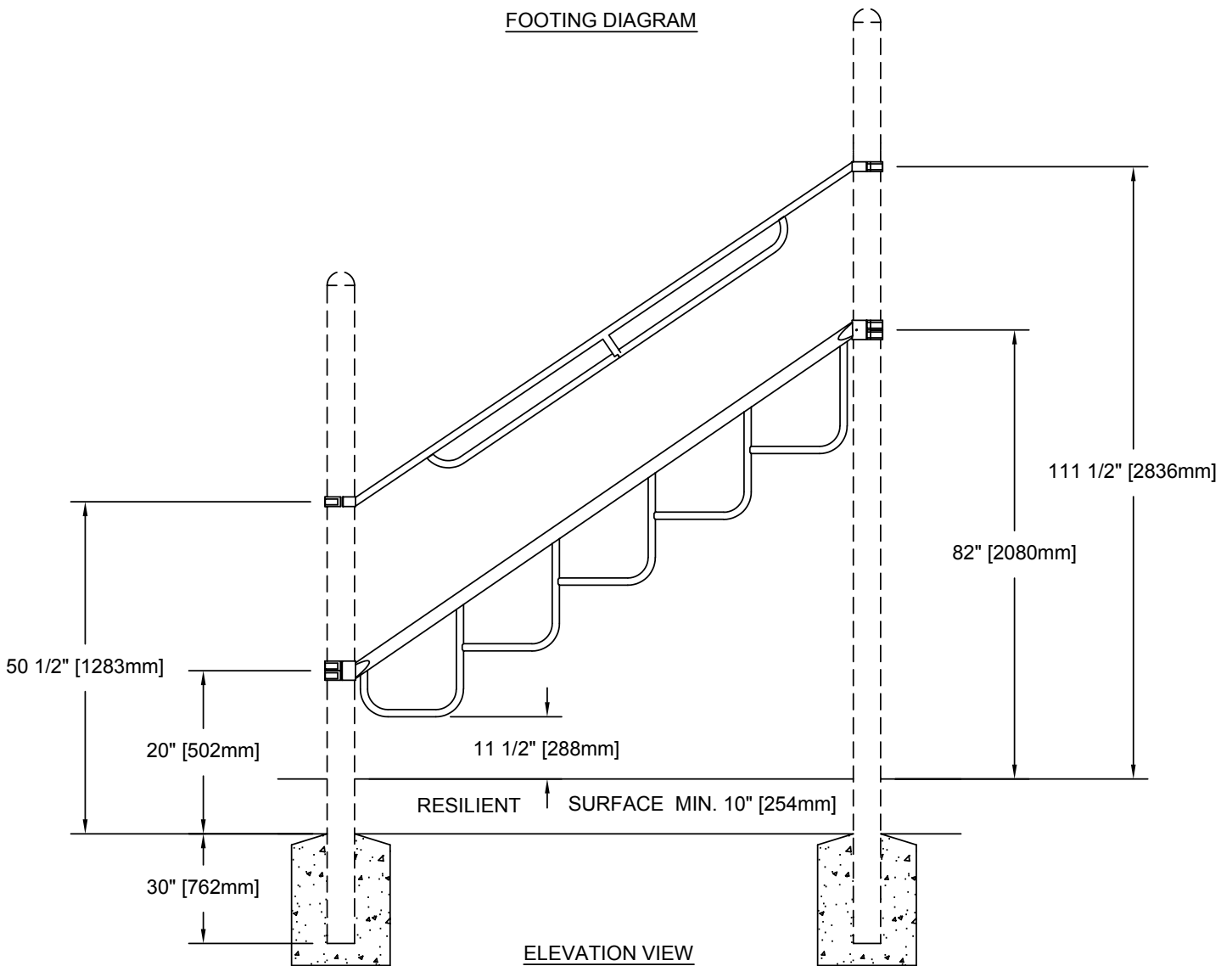


FINISHED ASSEMBLY

MODEL NO. 60104 Mount Everest- 96"



FOOTING DIAGRAM



MODEL NO. 60104 Mount Everest- 96"

TYPICAL ASSEMBLY

