

MODEL NO. 60117 Extreme Climber

PARTS LIST

DESCRIPTION	No. REQ'D	PART NUMBER
Extreme Climber Panel- 18"	2	302880
Extreme Climber Panel- 18" w/ 2 Tabs	2	302667
Extreme Climber Panel- 22"	2	302887
Extreme Climber Panel- 22" w/ 2 Tabs	2	302669
Center Post	1	302890
Side Post	2	302697
Hardware Complete	1	302878
5" O.D. Panel Clamp	8	302099*
1/4" x 3/4" Drive Rivet	8	168449*
3/8" Barrel Nut	32	804804*
3/8" Flat Washer	32	817410*
3/8" Heavy Hex Nut	8	804200*
3/8" X 3/4" P.B.H.C.S. w/ Patch	24	812052*
3/8" X 1 1/2" P.B.H.C.S. w/ Patch	16	812053*

*Unless Otherwise Specified, All Units of Measure are Each
* Included in Hardware*

Warning: Small parts and hardware items may present a potential choking hazard. Promptly remove all unused parts from play area.

SPECIFICATIONS:

Clamps are cast from a 356 high-strength aluminum alloy with a baked on polyester powder-coated finish. Center and Side Posts are 3-1/2" O.D. 11-gauge galvanized steel tubing with 3/16" thick flanges stainless steel welded for attachment and polyester-powder coated after fabrication. Extreme Climber Panels are cut from single sheets of high-density .850" thick extruded solid polyethylene with color molded in and UV-stabilized.

All hardware is stainless steel.

Weight: 337 lb. / 153.2 kg

INSTALLATION INSTRUCTIONS:

1. Refer to your overhead drawing to locate the two existing 5" O.D. Upright Posts, which will receive the Extreme Climber. The two Upright Posts must be 120" apart.
2. Attach Extreme Climber Panels to Upright Posts using Panel Clamps (refer to Panel Clamp sub-assembly sheet for detail), 3/8" x 1-1/2" P.B.H.C.S. w/ Patch with 3/8" Flat Washers and 3/8" Barrel Nuts as shown in detail 'A'.
3. Attach other Panels to Side and Center Upright Posts using 3/8" x 3/4" P.B.H.C.S. w/ Patch with 3/8" Flat Washers and 3/8" Barrel Nuts as shown in detail 'B'.
4. Plumb and level the entire assembly and brace in position. Tighten all fasteners. Eliminate sharp points and sharp edges (burring) on installed hardware like bolts, nuts, etc.
5. Pour concrete footings within 4" to the top and taper away from posts to allow water drainage. Allow to cure at least 48 hours before use.

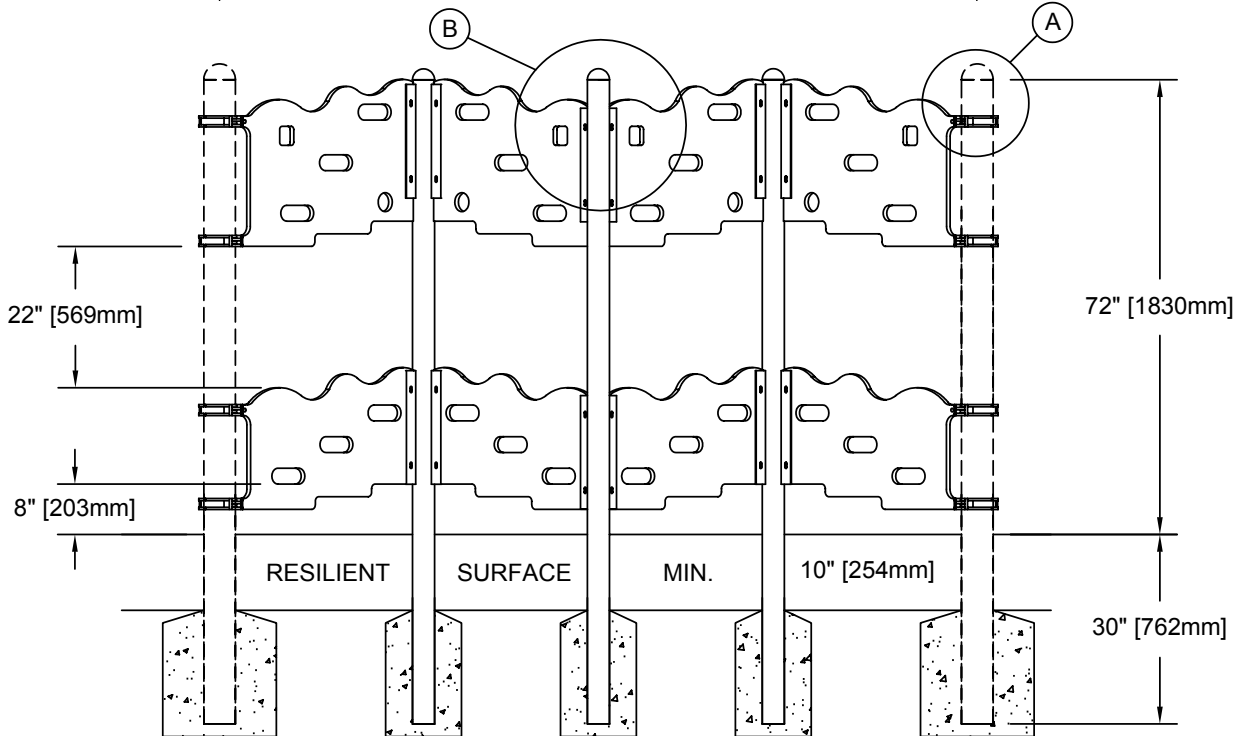
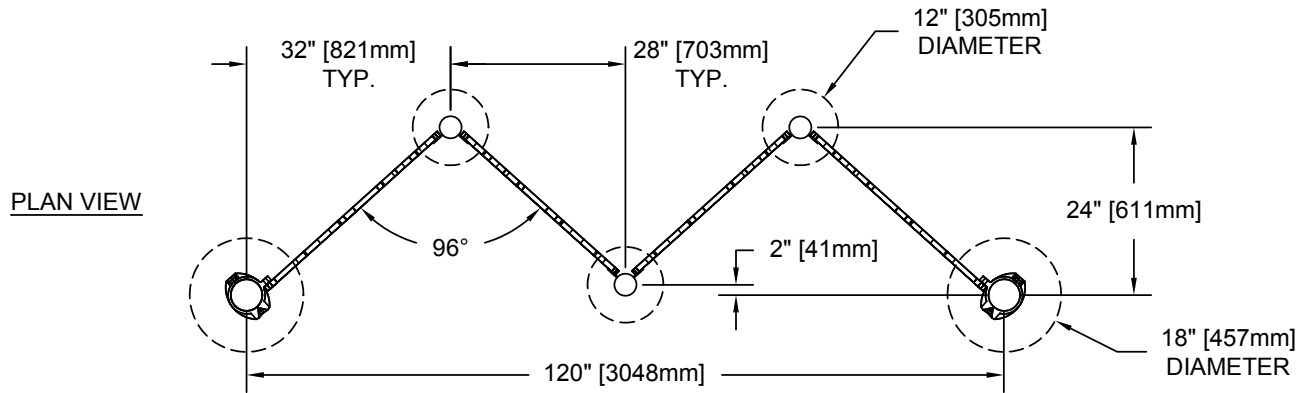
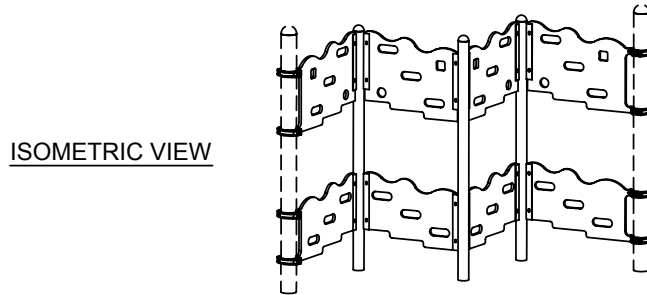
MODEL NO. 60117 Extreme Climber

6. When the assembly is finished and satisfactory, install Drive Rivets in all clamps to ensure clamps cannot slide down posts. See Deck Clamp subassembly sheet. **It is very important that all Drive Rivets be installed prior to allowing use of the equipment, as clamps are not designed to support substantial weight without them.** Eliminate sharp points and sharp edges (burring) on installed hardware like bolts, nuts, etc. Install resilient surfacing material within the *use zone* of play structure in accordance with ASTM specifications F1292 appropriate for the fall height of each structure. Refer to the *Safety Guidelines*.

MAINTENANCE PROCEDURE:

Periodically check hardware for tightness, and tighten as necessary. Always check all parts for breakage or wear, and immediately put equipment out of service until any faulty parts are repaired or replaced. Check all decks for Plastisol-coating peeling and touch-up with Plastisol if necessary. Check for holes on deck, clean if necessary. Check periodically resilient surfacing for appropriate depth and remove extraneous materials that could cause injury, infection, or disease. Maintain detailed installation, inspection, maintenance, and repair records for each public-use playground equipment.

MODEL NO. 60117 Extreme Climber



MODEL NO. 60117 Extreme Climber

