

## MODEL NO. 60125 Arch Roof

### PARTS LIST

DESCRIPTION	No. REQ'D	PART NUMBER
Mesh Roof	1	303012
Arch Post	2	303007
<b>Hardware Complete</b>	1	302969
3/8" Lock Nut	6	804353*
3/8" X 3/4" P.B.H.C.S. w/ Patch	6	812052*
Rivet	8	140068*
O-Ring	4	169362*

*Unless Otherwise Specified, All Units of Measure are Each  
\* Included in Hardware*

**Warning: Small parts and hardware items may present a potential choking hazard. Promptly remove all unused parts from play area.**

#### **SPECIFICATIONS:**

Mesh Roof is cut from perforated steel and also powder - coated.

All hardware is stainless steel.

Weight: 34 lb. / 47 kg

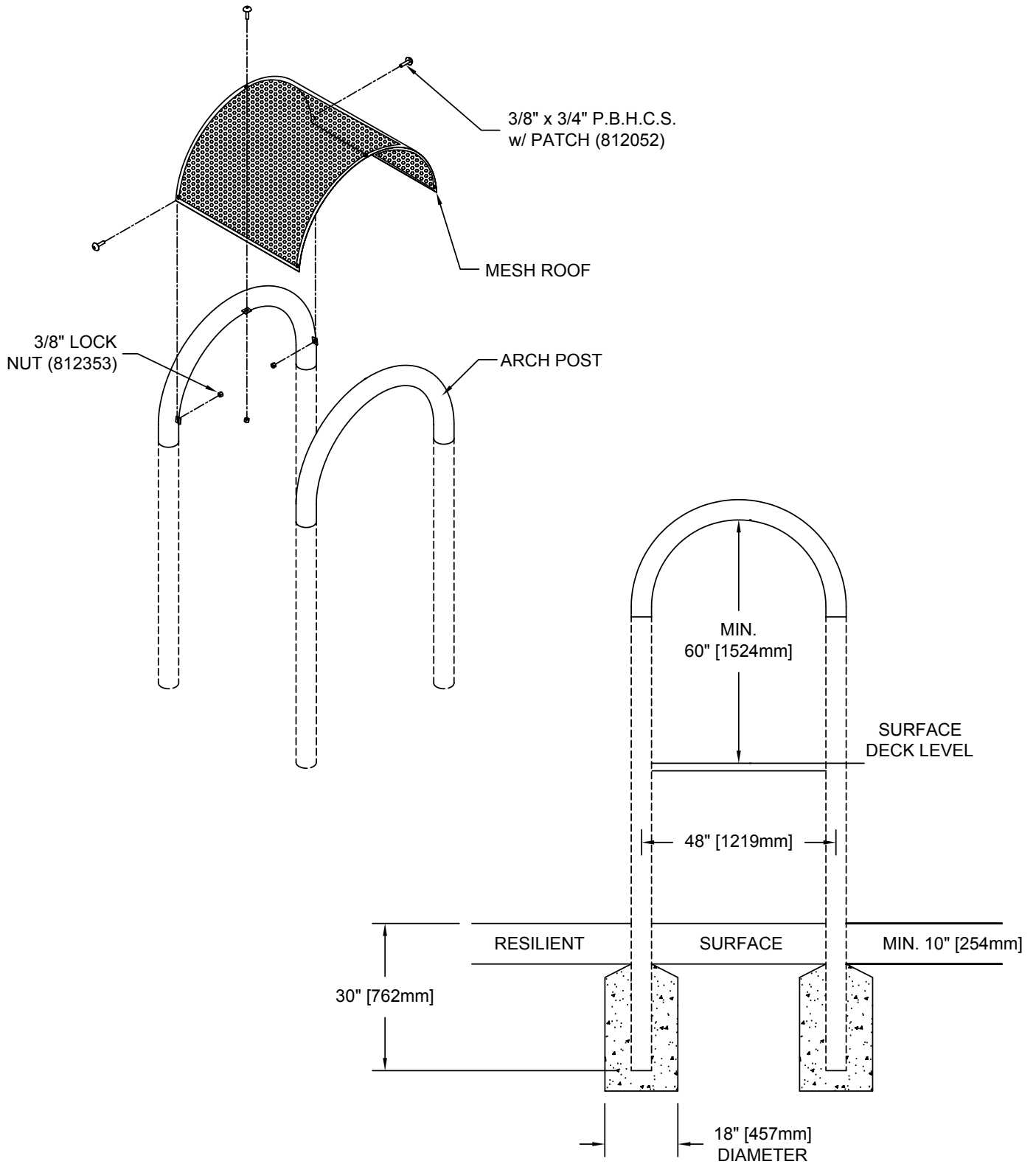
#### **INSTALLATION INSTRUCTIONS:**

1. Referring to your site plan, identify the area where the Arch Roof will be installed. Identify the footing locations on your footing diagram where the four post legs will enter the ground. 11' long posts are appropriate for deck heights up to 48" only.
2. Dig footings spaced as shown on the diagram, and referring to the typical concrete footing detail.
3. Set the two arch posts into the upright posts using Rivets in accordance with the assembly detail and in such manner that welded mounting tabs are facing inward. Use a brick or other blocking device (not supplied by Park Structures) at the bottom of each post to prevent the posts from sinking into the earth during plumbing and leveling.
4. Attach the mesh roof to the mounting tabs at the center holes first and tighten using the supplied 3/8" x 3/4" P.B.H.C.S. w/ Patch and lock nuts.
5. Eliminate sharp points and sharp edges (burring) on installed hardware like bolts, nuts, etc. Install resilient surfacing material within the *use zone* of play structure in accordance with ASTM specifications F1292 appropriate for the fall height of each structure. Refer to the *Safety Guidelines*.

#### **MAINTENANCE PROCEDURE:**

Periodically check hardware for tightness, and tighten as necessary. Always check all parts for breakage or wear, and immediately put equipment out of service until any faulty parts are repaired or replaced. Check all decks for Plastisol-coating peeling and touch-up with Plastisol if necessary. Check for holes on deck, clean if necessary. Check periodically resilient surfacing for appropriate depth and remove extraneous materials that could cause injury, infection, or disease. Maintain detailed installation, inspection, maintenance, and repair records for each public-use playground equipment.

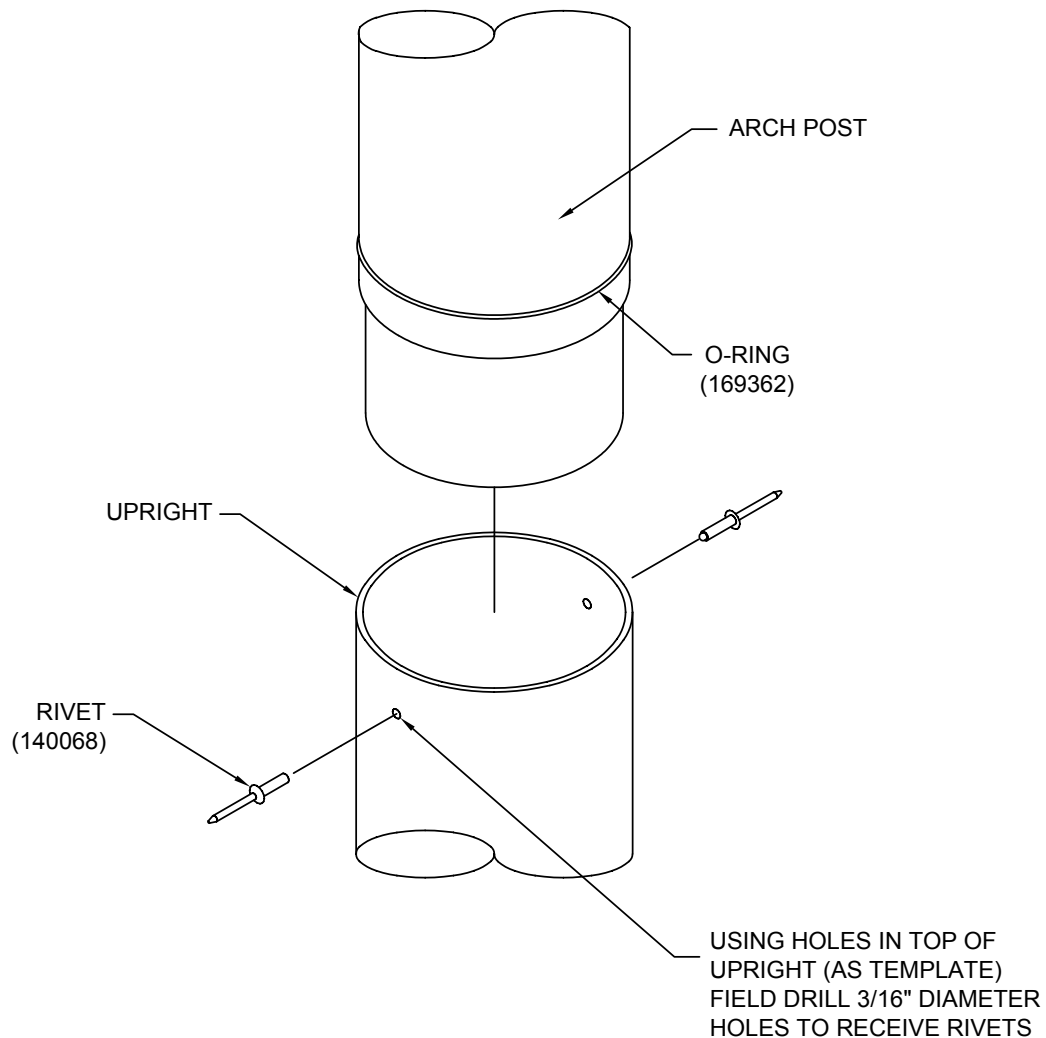
## MODEL NO. 60125 Arch Roof



## MODEL NO. 60125 Arch Roof

**NOTE:**

- 1) STRETCH O-RING AND ROLL ONTO ARCH ABOVE SWAGE.  
DO NOT OVERSTRETCH O-RING!
- 2) INSERT THE ARCH POST ONTO THE PRE-EXISTING POST.
- 3) DRILL 3/16" HOLES ON POST, WHICH IS RECEIVING ARCH POST  
APPROXIMATELY 1-1/2" DOWN FROM TOP OF POST.
- 4) ROLL O-RING BACK DOWN ARCH UNTIL IT FITS INTO GROOVE  
AGAINST TOP OF UPRIGHT.
- 5) INSTALL RIVETS.

**ASSEMBLY DETAIL**