

## MODEL NO. 60127 Deck -to- Deck Stairs

### PARTS LIST

DESCRIPTION	No. REQ'D	PART NUMBER
Staircase	1	300115
Handrail	2	300738
<b>Hardware Complete</b>	1	303005
5" O.D. Pipe Clamp	8	302030*
1/4" x 3/4" Drive Rivet	8	168449*
3/8" Heavy Hex Nut	8	804200*
3/8" Lock Nut	8	804353*
3/8" (1 1/4" O.D.) Flat Washer	16	817424*
3/8" x 3/8" Set Screw	8	811549*
3/8" x 1" P.B.H.C.S. w/ Patch	8	812050*
3/8" x 1 1/2" P.B.H.C.S. w/ Patch	8	812053*

**Unless Otherwise Specified, All Units of Measure are Each  
\*Included in Hardware**

**Warning: Small parts and hardware items may present a potential choking hazard. Promptly remove all unused parts from play area.**

#### SPECIFICATIONS:

Clamps are cast from 356 high-strength aluminum alloy with a baked on polyester powder-coated paint finish. Transfer Triple Step is fabricated from pre-punched 11-gauge steel sheet and all fastening holes are pre-punched. After fabrication, entire Deck-To-Deck Stairs is Plastic coated with a thickness of 50 to 80 mils on top of wear surface. Average perforation size is 5/16" diameter after coating. Handrails are fabricated from 1-5/16" O.D. 14-gauge galvanized steel tubing and stainless steel welded. The entire Handrail is finished with a baked on with a polyester powder-coated paint.

All fastening hardware stainless steel.

Weight: 272 lb. / 123 kg

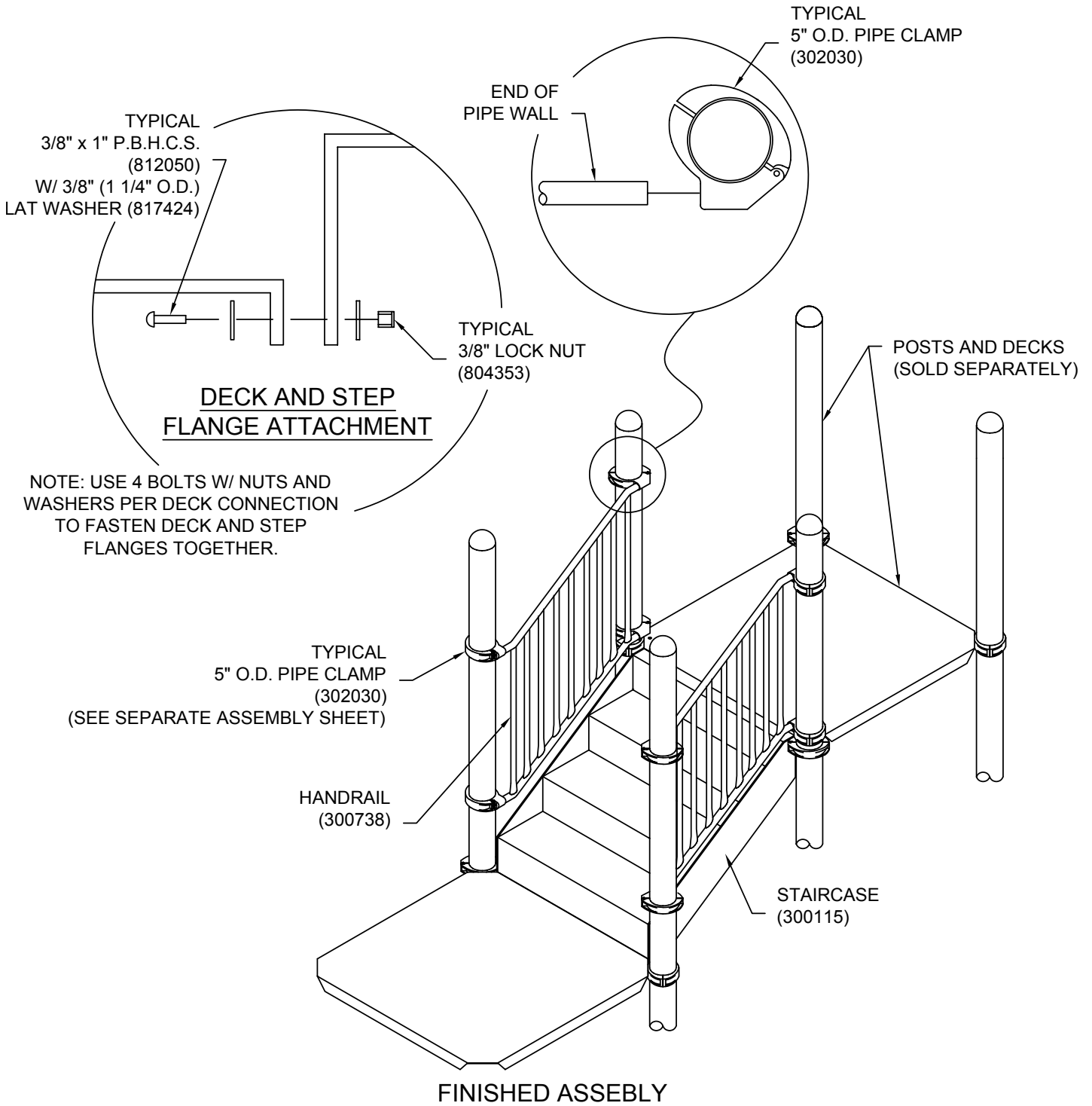
#### INSTALLATION INSTRUCTIONS:

1. Select the appropriate Decks and four Upright Posts to receive the Deck-To-Deck Stairs. Refer to your overhead drawing.
2. Attach Transfer Triple Step to Decks matching flange holes with upper and lower Decks and fasten using 3/8" x 1" P.B.H.C.S. with Patch with 3/8" (1 1/4" O.D.) Flat Washers and 3/8" Lock Nuts as shown in Deck-To-Deck Stairs assembly drawings.
3. Attach Handrails positioning as shown in the assembly drawings using pipe clamps. Plumb and level the entire assembly and brace in position. Fully tighten all Pipe Clamps fasteners.
4. When the assembly is finished and satisfactory, install Drive Rivets in all clamps to ensure clamps cannot slide down posts. See Pipe Clamp sub-assembly sheet. ***It is very important that all Drive Rivets be installed prior to allowing use of the equipment, as clamps are not designed to support substantial weight without them.*** Eliminate sharp points and sharp edges (burring) on installed hardware like bolts, nuts, etc. Install resilient surfacing material within the use zone of play structure in accordance with ASTM specifications F1292 appropriate for the fall height of each structure. Refer to the Safety Guidelines.

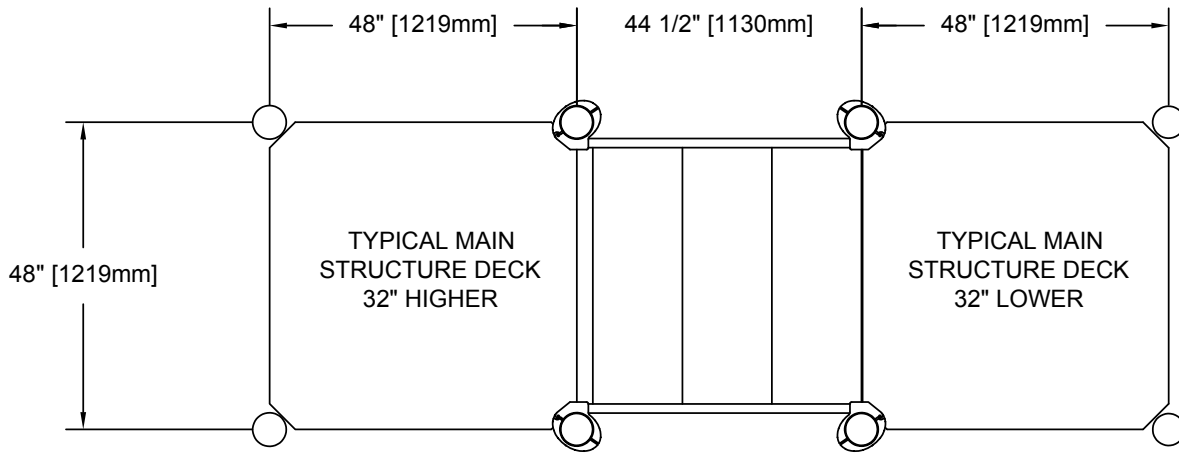
#### MAINTENANCE PROCEDURE:

Periodically check hardware for tightness, and tighten as necessary. Always check all parts for breakage or wear, and immediately put equipment out of service until any faulty parts found are repaired or replaced. Check for rust, paint peeling and touch-up if necessary with paint. Check for welded areas and verify integrity. Check for Plastisol-coating peeling and touch-up with Plastisol if necessary. Check for holes on steps, clean if necessary. Check periodically resilient surfacing for appropriate depth and remove extraneous materials that could cause injury, infection, or disease. Maintain detailed installation, inspection, maintenance, and repair records for each public-use playground equipment.

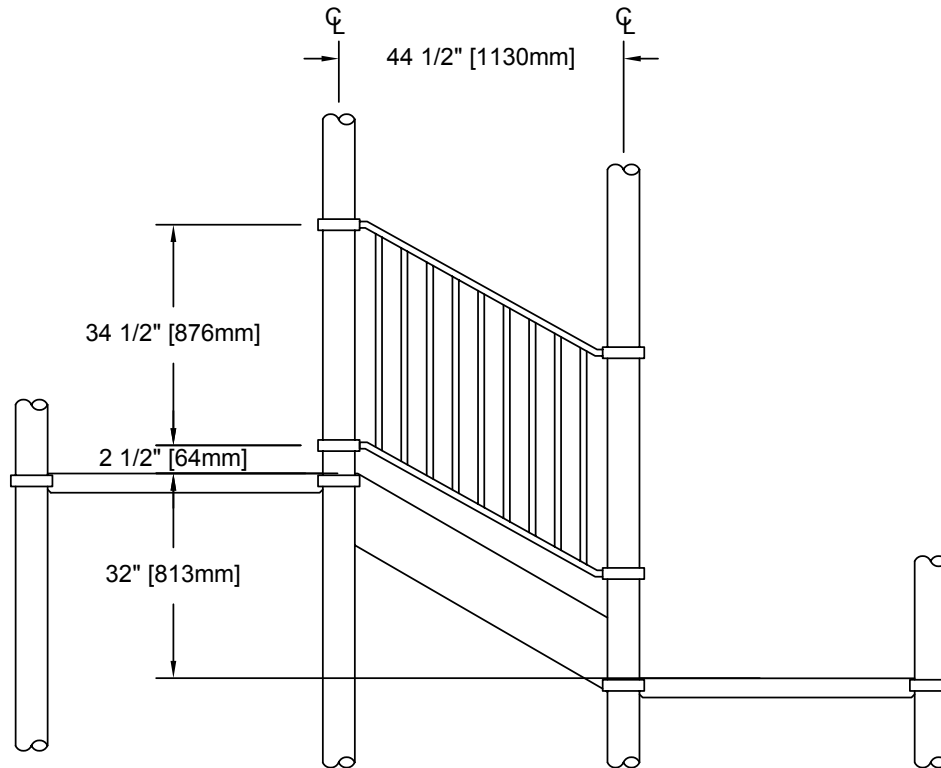
## MODEL NO. 60127 Deck -to- Deck Stairs



## MODEL NO. 60127 Deck -to- Deck Stairs



PLAN VIEW



ELEVATION VIEW