

MODEL NO. 60140 Extra Large Kickplate (Decks 24" Apart)

PARTS LIST

DESCRIPTION	No. REQ'D	PART NUMBER
Extra Large Kickplate	1	305745
Hardware Complete	1	302411
3/8" Lock Nut	8	804353*
3/8" (1 1/4" O.D.) Flat Washer	16	817424*
3/8" x 3/4" P.B.H.C.S w/ Patch	8	812052*

**Unless Otherwise Specified, All Units of Measure are Each
*Included in Hardware**

Warning: Small parts and hardware items may present a potential choking hazard. Promptly remove all unused parts from play area.

SPECIFICATIONS:

Kickplate measures 25-1/2" x 38", and is cut from galvanized sheet metal with (8) 7/16" x 1" slotted holes punched to coincide with deck flange holes. Corners are rounded, edges are ground smooth, and receives a baked-on polyester powder-coated finish after fabrication.

All hardware is stainless steel.

Weight: 21 lb. / 9.5kg

INSTALLATION INSTRUCTIONS:

1. Refer to the main drawing to locate decks, which are spaced 24" apart. These will require Kickplate(s). Attach Kickplates after decks have been installed, but before deck clamps have been pinned, in case adjustment in deck heights is required to match up holes in deck flanges with holes in Kickplate.
2. Attach Kickplate to decks using 3/8" x 3/4" P.B.H.C.S. with Patch with 3/8" Flat Washers and 3/8" Lock Nuts with 3/8" (1 1/4" O.D.) Flat Washers. *NOTE: 3/8" (1 1/4" O.D.) Flat Washers and 3/8" Lock Nuts are used under the deck sides.*

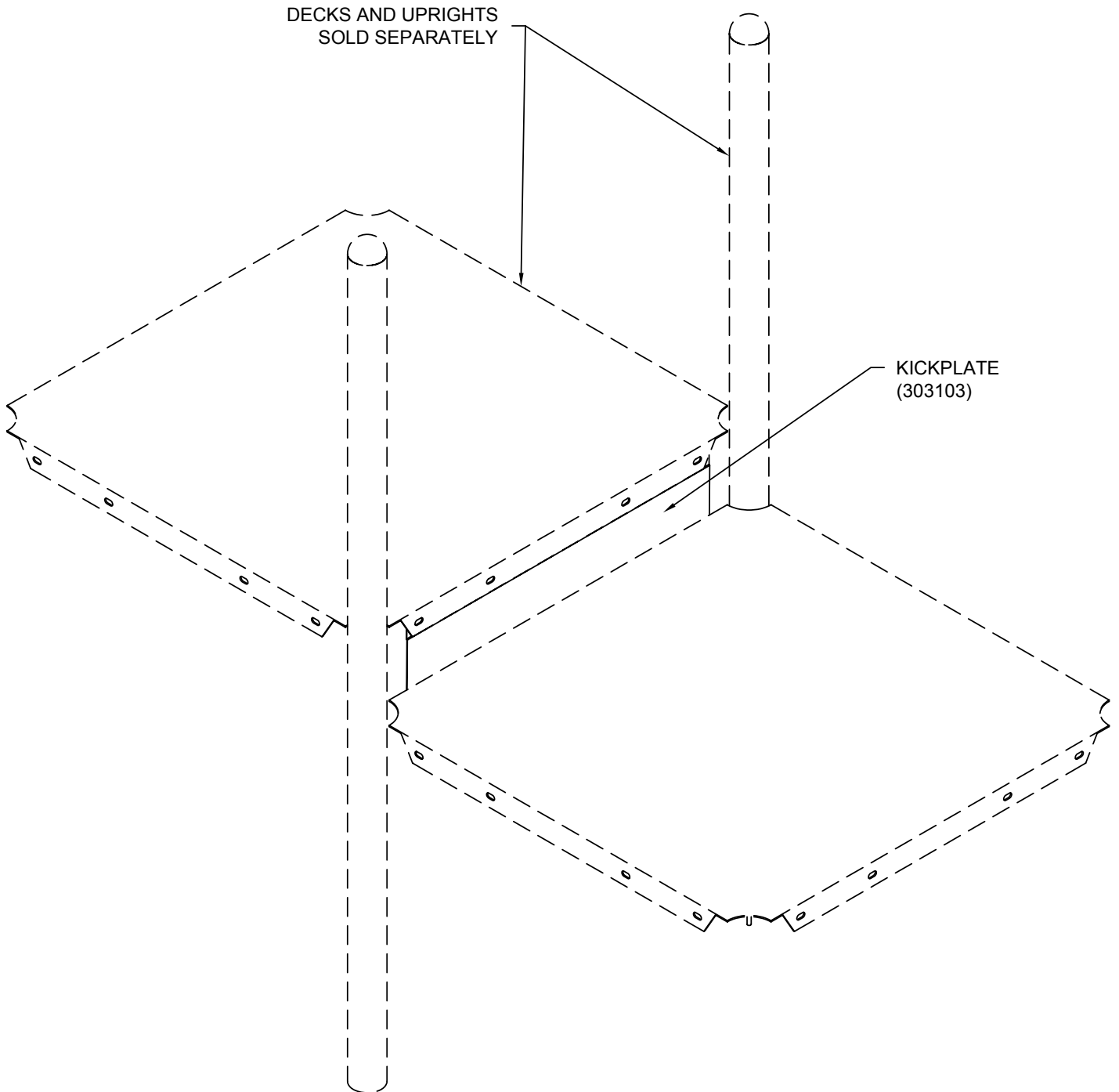
IMPORTANT: No portion of the Kickplate should be protruding in a manner which could cause a user to receive a cut, scrape or trip over any edge. Any rough edges should be filed smooth, and any protruding corners should be flattened.

3. Eliminate sharp points and sharp edges (burring) on installed hardware like bolts, nuts, etc. Install resilient surfacing material within the *use zone* of play structure in accordance with ASTM specifications F1292 appropriate for the fall height of each structure. Refer to the *Safety Guidelines*.

MAINTENANCE PROCEDURE:

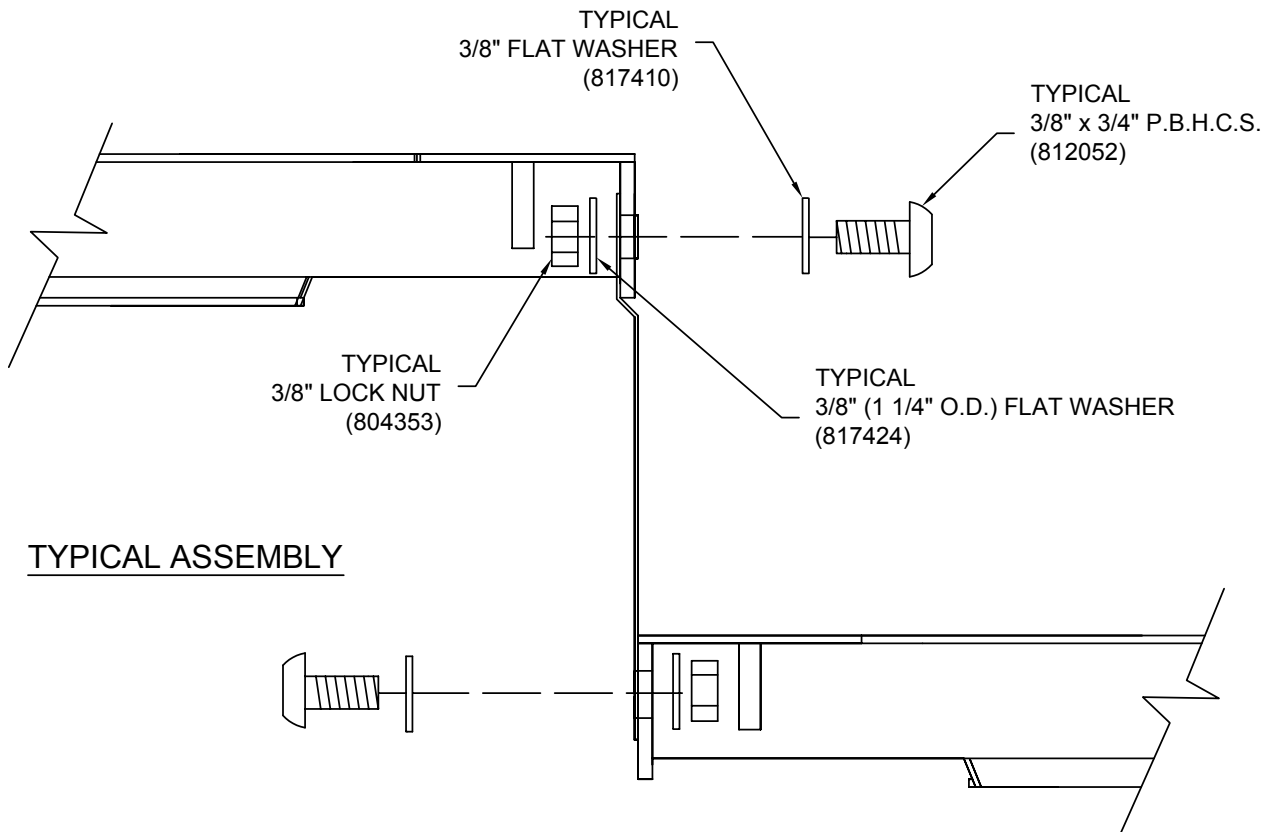
Periodically check hardware for tightness, and tighten as necessary. Always check all parts for breakage or wear, and immediately put equipment out of service until any faulty parts found are repaired or replaced. Check for rust or paint loss and touch-up if necessary with paint. Check periodically resilient surfacing for appropriate depth and remove extraneous materials that could cause injury, infection, or disease. Maintain detailed installation, inspection, maintenance, and repair records for each public-use playground equipment.

MODEL NO. 60140 Extra Large Kickplate (Decks 24" Apart)



FINISHED ASSEMBLY

MODEL NO. 60140 Extra Large Kickplate (Decks 24" Apart)



NOTE: ANY SHARP EDGES ON THE KICKPLATE
MUST BE FILED. ENSURE THAT NO CORNERS
PROTRUDE FROM DECK FLANGE SURFACE
AFTER KICKPLATE HAS BEEN BOLTED SECURELY.