

MODEL NO. 60141 Seat Panel

PARTS LIST

DESCRIPTION	No. REQ'D	PART NUMBER
Seat Panel Frame/Wall	1	301331
Seat Panel	1	301429
Panel Side Bracket	2	300668
Hardware Complete	1	303117
5" O.D. Pipe Clamp	4	302030*
Reinforced Angle Bracket	2	303067*
1/4" x 3/4" Drive Rivet	4	168449*
3/8" Barrel Nut	14	804804*
3/8" Flat Washer	14	817410*
3/8" Heavy Hex Nut	4	804200*
3/8" x 1 1/2" P.B.H.C.S. w/Patch	4	812053*
3/8" x 3/4" P.B.H.C.S. w/Patch	14	812052*
3/8" Set Screw	4	811549*

*Unless Otherwise Specified, All Units of Measure are Each
Included in Hardware

Warning: Small parts and hardware items may present a potential choking hazard. Promptly remove all unused parts from play area.

SPECIFICATIONS:

Clamps are cast from a 356 high-strength aluminum alloy with a baked on polyester powder-coated paint finish. Panel Side Brackets are fabricated from 3/16" steel angle with 1-5/16" O.D. 14-gauge galvanized steel tubing stainless steel welded for attachment. All Brackets are powder-coated. Panel Frame and Seat Panel are cut from a sheet of high-density .850" thick extruded solid polyethylene with color molded in and UV-stabilized. All hardware is stainless steel.

IMPORTANT: This component is for use at ground level only. Do not use as a barrier for a deck.

Weight: 100 lb. / 45.5 kg.

INSTALLATION INSTRUCTIONS:

1. Attach Panel Side Brackets to Seat Panel Frame using the 3/8" x 3/4" P.B.H.C.S. w/Patch and 3/8" Barrel Nuts as shown on assembly drawing.
2. Fasten Seat Panel Frame assembly to Upright Posts using Pipe Clamps (refer to separate Pipe Clamp fastening detail) so that lower Pipe Clamp is 10" above the finished ground or deck level. Bottom edge of panel should be flush with deck surface.

IMPORTANT! Avoid creating any gaps between the components, which fall between 3-1/2" and 9". It has been shown that such gaps create entrapment points, which can trap a child and cause injury.

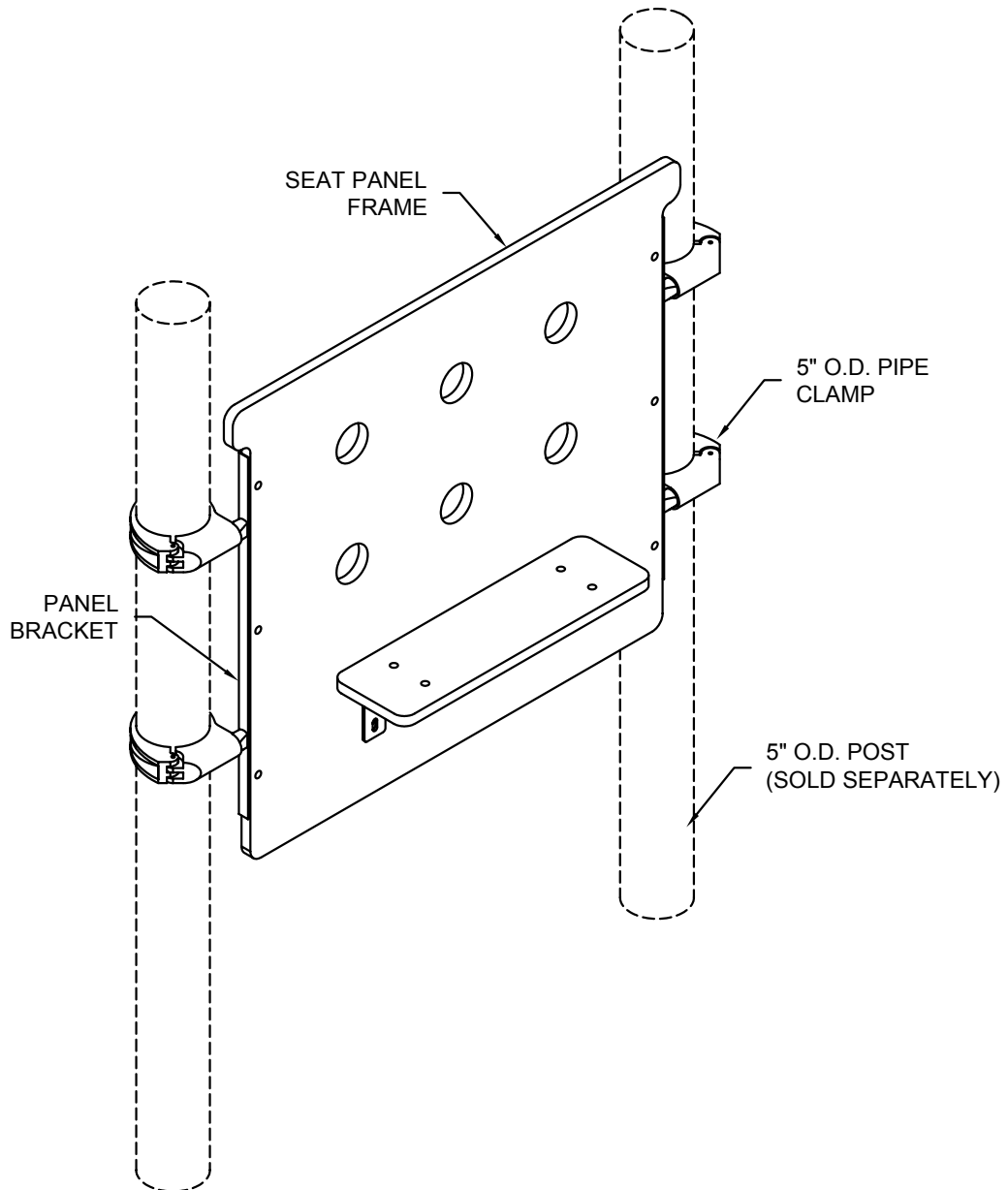
3. Plumb the Safety Panel and tighten Pipe Clamp fasteners. Install Seat Panel by fastening with 2"x6" angle bracket to frame panel using 3/8"x3/4" P.B.H.C.S. w/Patch, 3/8" Flat Washers, and 3/8" Barrel nuts as show in assembly drawing.
4. When the structure is finished and satisfactory, install Drive Rivets in all clamps to ensure clamps cannot slide down posts. See Pipe Clamps sub-assembly sheet. **It is very important that all Drive Rivets be installed prior to allowing use of the equipment, as clamps are not designed to support substantial weight without them.** Eliminate sharp points and sharp edges (burring) on installed hardware like bolts, nuts, etc. Install resilient surfacing material within the use zone of play structure in accordance with ASTM specifications F1292 appropriate for the fall height of each structure. Refer to the Safety Guidelines.

MODEL NO. 60141 Seat Panel

MAINTENANCE PROCEDURE:

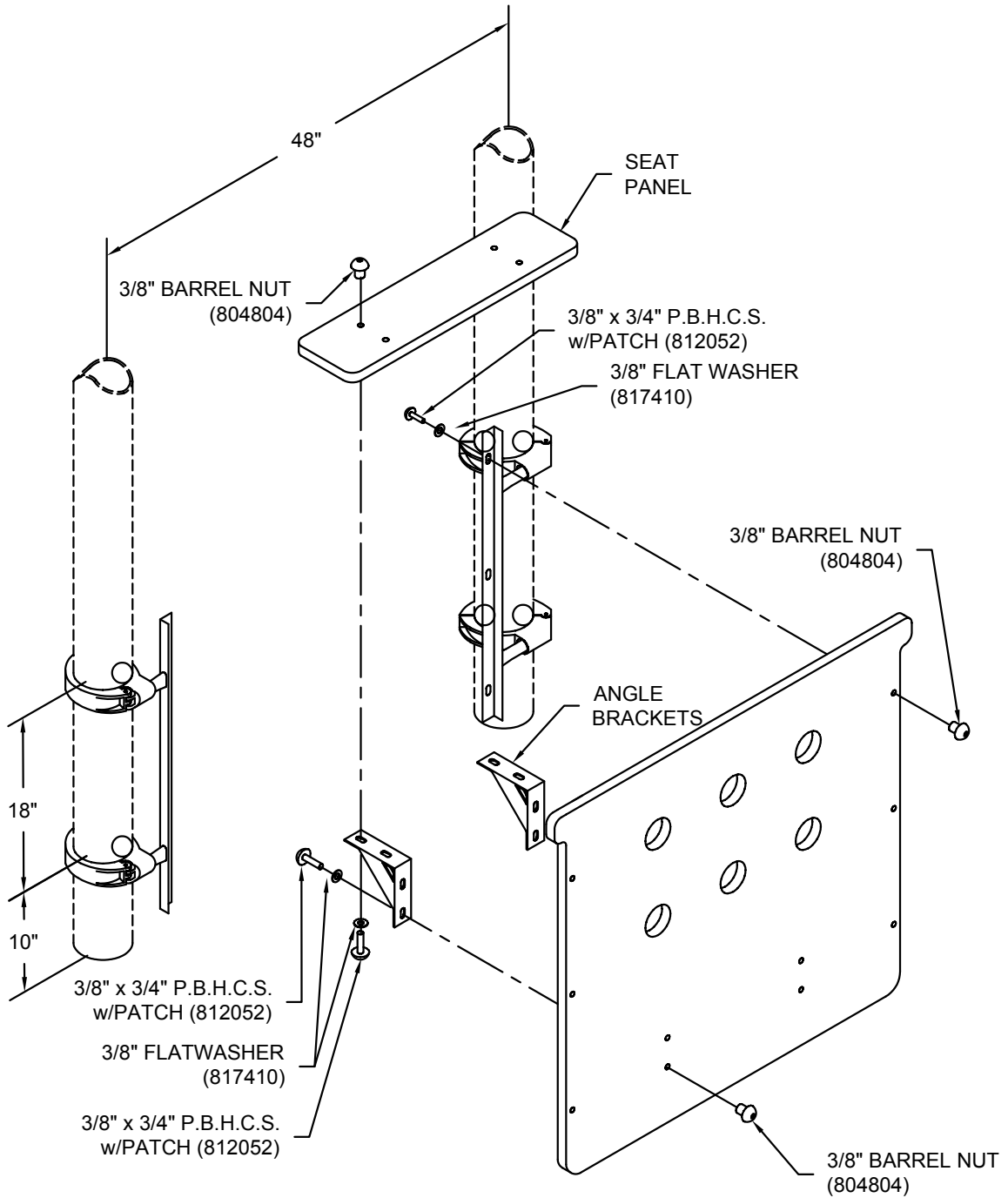
Periodically check hardware for tightness, and tighten as necessary. Always check all parts for breakage or wear, and immediately put equipment out of service until any faulty parts found are repaired or replaced. Check for rust, paint peeling and touch-up if necessary with paint. Check for welded areas and verify integrity. Check for cracks, gouges or breakage on plastic, check for integrity of the plastic, keep plastic clean of any extraneous substance, verify that any deformation does not create entrapment as specified on ASTM F1487-95 section 6. Check periodically resilient surfacing for appropriate depth and remove extraneous materials that could cause injury, infection, or disease. Maintain detailed installation, inspection, maintenance, and repair records for each public-use playground equipment.

MODEL NO. 60141 Seat Panel



FINISHED ASSEMBLY

MODEL NO. 60141 Seat Panel



SEAT PANEL ASSEMBLY