

MODEL NO. 60142 Wide Tot Slide w/ Protection Panel

PARTS LIST

DESCRIPTION	No. REQ'D	PART NUMBER
Plastic Wide Tot Slide	1	300589
Tot Slide Entrance Panel	1	307232
Tot Slide Protection Panel	2	307234
Slide Exit Support Bracket	1	301503
Hardware Complete	1	303055
5" O.D. Panel Clamp	4	302099*
90° Angle Bracket	8	302334*
1/4" x 3/4" Drive Rivet	4	168449*
3/8" Barrel Nut	20	804804*
3/8" x 3/4" Carriage Bolt	16	800252*
3/8" Flat Washer	4	817410*
3/8" Heavy Hex Nut	4	804200*
3/8" x 1 1/2" P.B.H.C.S. w/Patch	8	812053*
3/8" x 1 3/4" P.B.H.C.S. w/Patch	2	812054*
3/8" x 3/4" P.B.H.C.S. w/Patch	2	812052*
3/8" Lock Nut	2	804353*
3/8" Flat Washer (1 1/4" O.D.)	6	817424*

*Unless Otherwise Specified, All Units of Measure are Each
Included in Hardware

Warning: Small parts and hardware items may present a potential choking hazard. Promptly remove all unused parts from play area. Any bolt end protruding more than two full threads beyond the face of the nut causes risk of clothing entanglement. Promptly cut-off flush, file smooth, and treat to prevent corrosion.

Note: Peen Tee-Nuts and Flatwashers to match radius of pipe after assembly is complete.

Note: Loctite (supplied by others) should be used on all threaded hardware.

INSTALLATION INSTRUCTIONS :

NOTE: Wide Tot Slide is designed for use with 32" maximum high deck platforms. Assembly diagram shows mounting for a 32" high deck platform with a maximum 11" exit height above ground (exit height is determined by measuring the distance from the top of the slide's bed way to the finished ground level). For deck heights lower than 32", reduce exit height accordingly.

1. Dig the footings as shown in the assembly diagram.
2. Lay the Plastic Wide Tot Slide on the ground upside-down. Attach Exit Support Bracket to Slide using 3/8" x 3/4" P.B.H.C.S. w/Patch with 3/8" Flat Washers as shown. Position the assembly into dug hole and attach the upper end of slide to Deck using 3/8" x 1-3/4" P.B.H.C.S. w/Patch with 3/8" Flat Washers and 3/8" Lock Nuts with 3/8" Flat Washers (1 1/4" O.D.) underside of the deck.
3. Attach Tot Slide Protection Panels to Tot Slide Entrance Panel using 90° Angle Brackets, 3/8" x 3/4" Carriage Bolts, and 3/8" Barrel Nuts as shown.
4. Attach the assembled Entrance Panel to Upright Posts using 5" O.D. Panel Clamps (refer to Panel Clamp Sub-Assembly sheet for details). Attach assembled Entrance Panel to panel clamps using 3/8" x 1 1/2" P.B.H.C.S. w/ Patch with 3/8" Flatwashers (1-1/4" O.D.) and 3/8" Barrel Nuts.

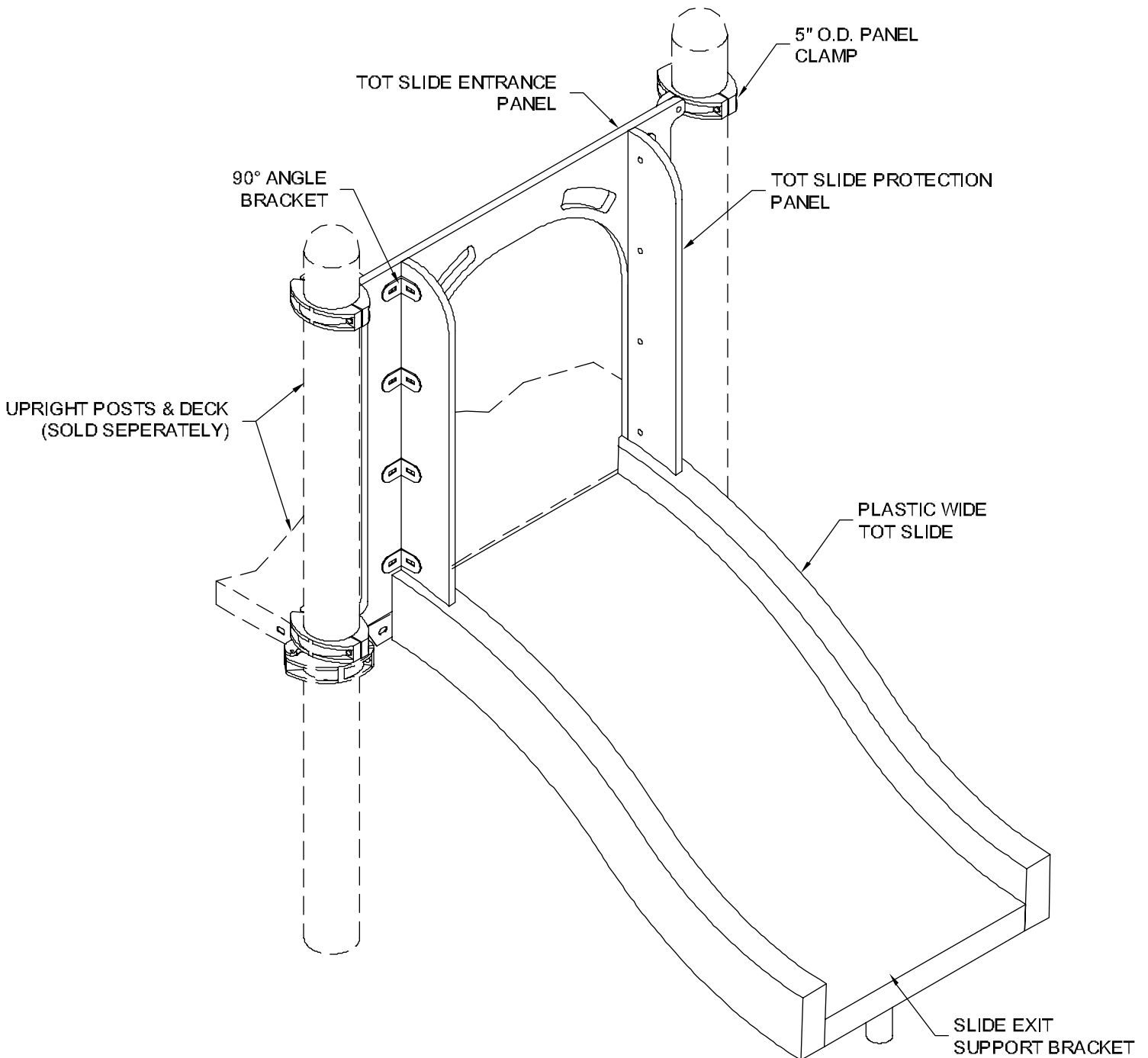
MODEL NO. 60142 Wide Tot Slide w/ Protection Panel

5. Plumb and level the entire slide assembly and pour concrete within 4" to the top of post and taper away from post for good water drainage. Allow to cure at least 48 hours before use.
6. When the assembly is finished and satisfactory, install Drive Rivets in all clamps to ensure clamps cannot slide down posts. See Pipe Clamp sub-assembly sheet. ***It is very important that all Drive Rivets be installed before allowing use of the equipment, as clamps are not designed to support substantial weight without them.*** Also eliminate sharp points and sharp edges (burring) on installed hardware like bolts, nuts, etc. Install resilient surfacing material within the use zone of play structure in accordance with ASTM specifications F1292 appropriate for the fall height of each structure. Refer to the Safety Guidelines.

MAINTENANCE PROCEDURE:

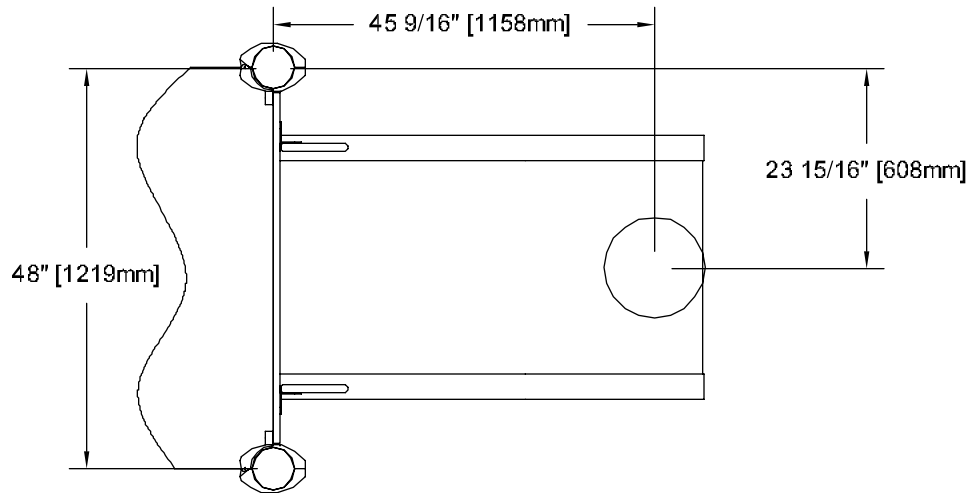
Periodically check hardware for tightness, and tighten as necessary. Always check all parts for breakage or wear, and immediately put equipment out of service until any faulty parts found are repaired or replaced. Also Check all metal parts for rust, paint loss and touch-up if necessary with paint. Check for welded areas and verify integrity. Check for cracks, gouges or breakage on plastic, check for integrity of the plastic, keep plastic clean of any extraneous substances, verify that any deformation does not create entrapment as specified on ASTM F1487-01 section 6. Check periodically resilient surfacing for appropriate depth and remove extraneous materials that could cause injury, infection, or disease. Maintain detailed installation, inspection, maintenance, and repair records for each public-use playground equipment.

MODEL NO. 60142 Wide Tot Slide w/ Protection Panel

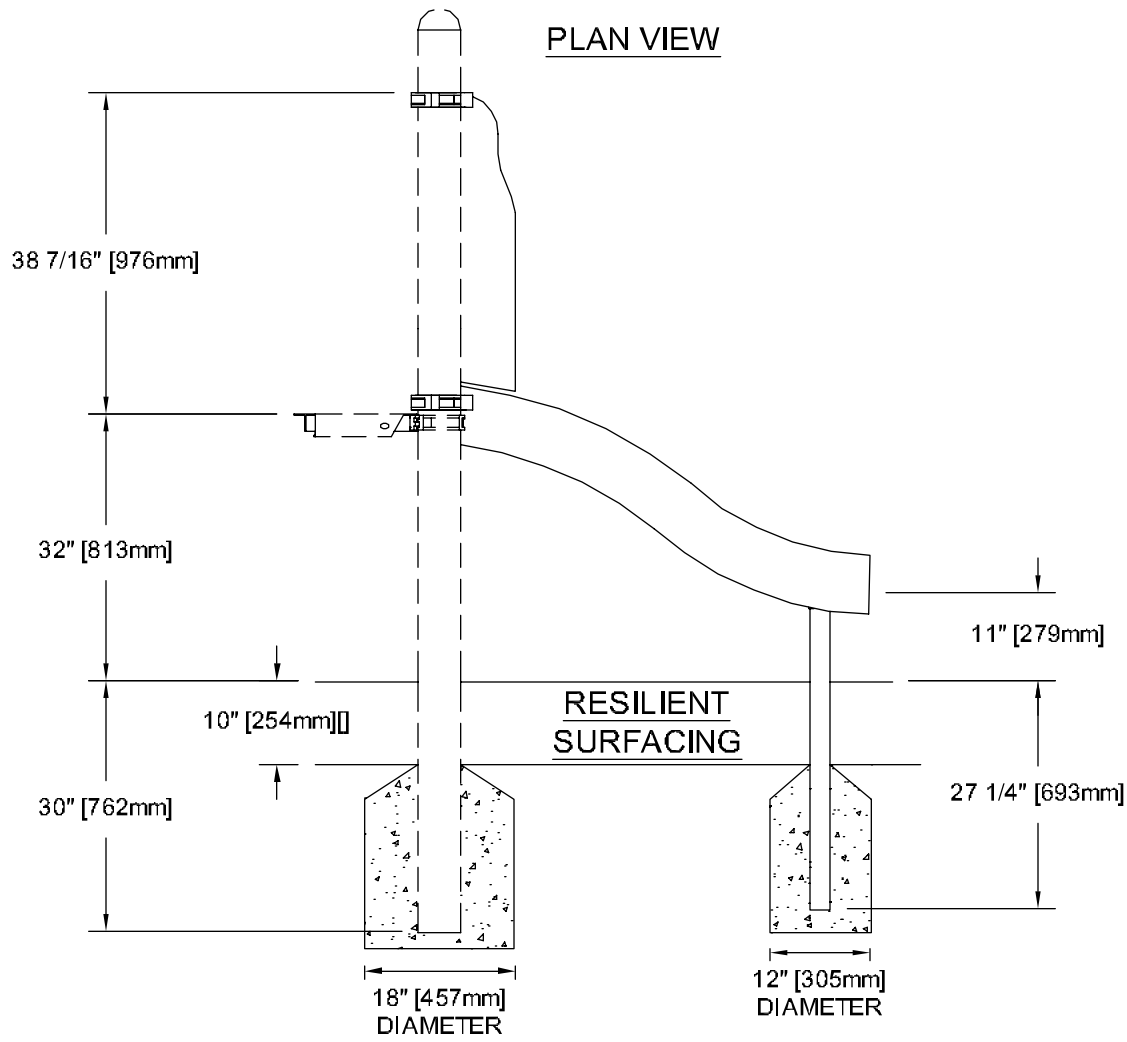


FINISHED ASSEMBLY

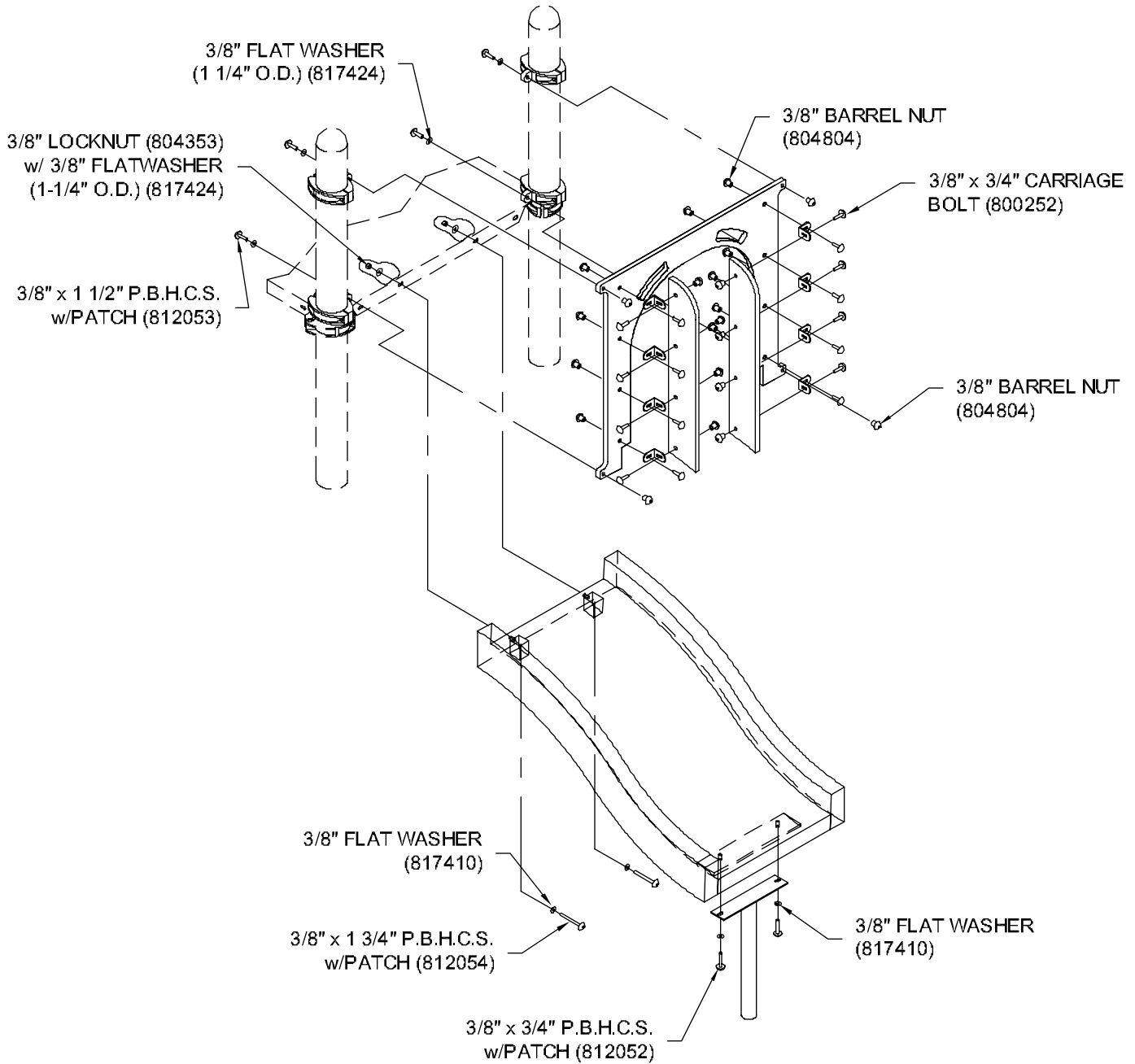
MODEL NO. 60142 Wide Tot Slide w/ Protection Panel



PLAN VIEW



MODEL NO. 60142 Wide Tot Slide w/ Protection Panel



WIDE TOT SLIDE w/PROTECTION PANEL ASSEMBLY