

MODEL NO. 60146 Hex Roof

PARTS LIST

DESCRIPTION	No. REQ'D	PART NUMBER
Clear Bubble	1	303175
Hex Ring Panel	1	303179
Roof Panel	6	303187
Curtain Panel	6	303177
Hex Roof Base Frame	1	305983
Hex Roof Top Frame	1	303168
Hex Roof Bracing	6	303163
Hardware Complete	1	303144
1/4" x 1/2" Drive Rivet	24	805301*
3/8" Barrel Nut	60	804804*
3/8" x 2 1/2" Carriage Bolt	6	800259*
3/8" Flat Washer	54	817410*
3/8" x 1 1/2" P.B.H.C.S. w/Patch	12	812053*
3/8" x 2 1/4" P.B.H.C.S. w/Patch	12	812056*
3/8" x 3/4" P.B.H.C.S. w/Patch	30	812052*

**Unless Otherwise Specified, All Units of Measure are Each
*Included in Hardware**

Warning: Small parts and hardware items may present a potential choking hazard. Promptly remove all unused parts from play area. Any bolt end protruding more than two full threads beyond the face of the nut causes risk of clothing entanglement. Promptly cut-off flush, file smooth, and treat to prevent corrosion.

Note: Peen Tee-Nuts and Flatwashers to match radius of pipe after assembly is complete.

SPECIFICATIONS:

Hex Roof consists of 1-1/2"x 1-1/2" x 12-gauge square tubing and 1-3/8" x 7/8" x 11-gauge steel angle for the frame bracing. 1-5/16" O.D. x 3" long steel tube and 5" I.D. x 3" pipe form the base supports. All steel framing is polyester powder-coated after fabrication. Clear Bubble is 1/4" thick and 24" diameter. Panels are high-density .850" thick extruded solid polyethylene with color molded in and UV-stabilized.

All hardware is stainless steel.

Weight: 439 lb. / 199.5 kg.

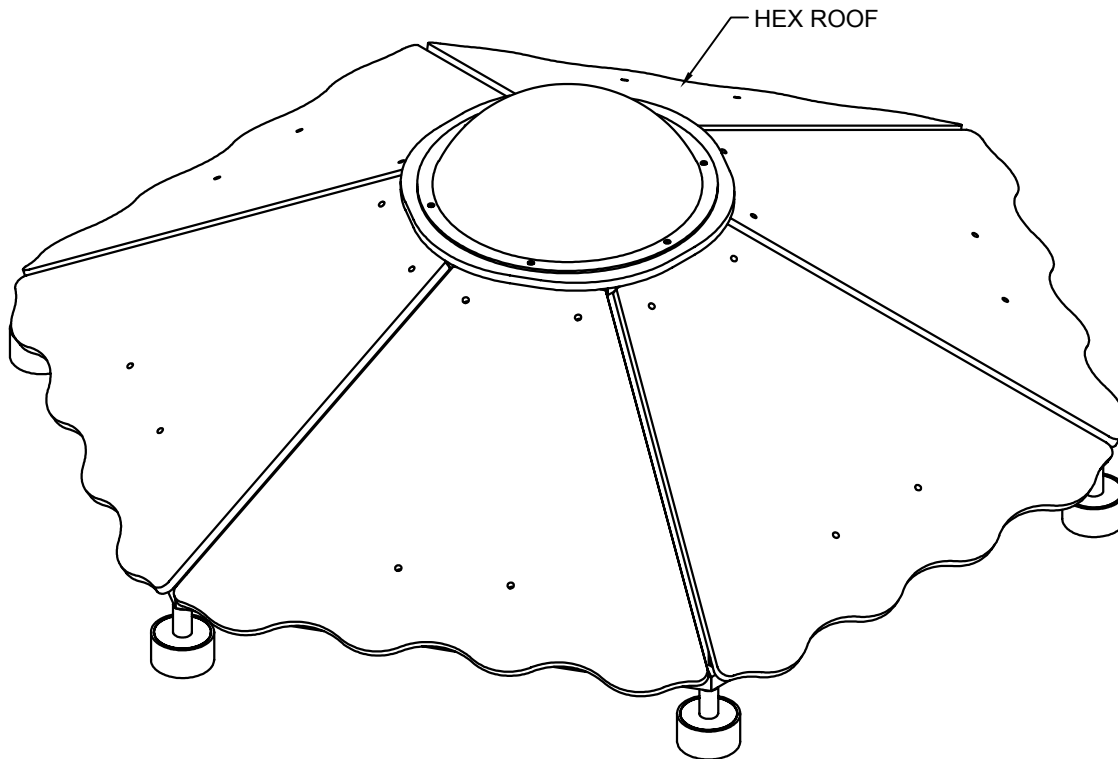
INSTALLATION INSTRUCTIONS:

1. Select the appropriate six upright posts to receive the Hex Roof. Refer to your overhead drawing.
2. Attach Curtain Panels (C) to Hex Roof Base Frame (E) using Bolt (L) and Nut (O). Attach Bracing Frame (G) to Base Frame (E) using Bolt (K), Washer (N) and Nut (O). Note: tighten fasteners loosely so the Bracing Frame can be adjust during the assembly process. Attach Top Hex Frame (F) and Hex Ring Panel (B) to Bracing Frame (G) using Bolts (M) and Nuts (O). Then attach the Clear Bubble (D) to Hex Ring Panel (B) using Bolts (J), Washer (N) and Nuts (O) as shown in the assembly diagram.
3. Attach Roof Panel (A) to Bracing Frame (G) using Bolt (J), Washer (N) and Nut (O) as shown in the assembly diagram. Note: Panels are made intentionally with different colors to allow for an alternating pattern.
4. Eliminate sharp points and sharp edges (burring) on installed hardware like bolts, nuts, etc.
5. When the assembly is finished and satisfactory, place roof in top of posts and install 1/4" x 1/2" drive rivets to secure assembly. Tighten all fasteners. Install resilient surfacing material within the use zone of play structure in accordance with ASTM specifications F1292 appropriate for the fall height of each structure. Refer to the Safety Guidelines.

MODEL NO. 60146 Hex Roof

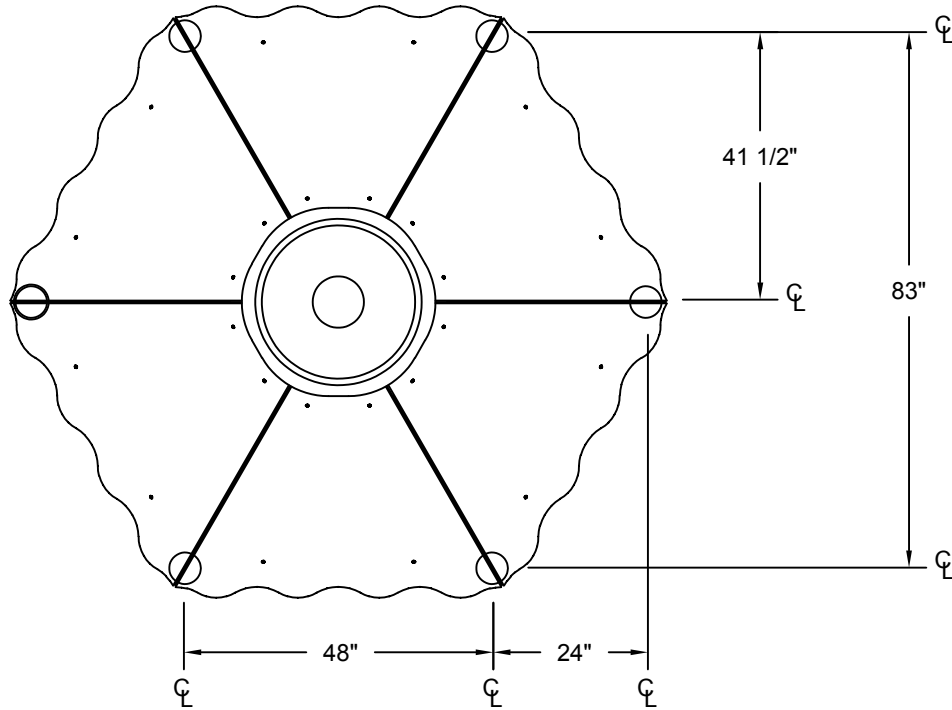
MAINTENANCE PROCEDURE :

Periodically check hardware for tightness, and tighten as necessary. Always check all parts for breakage or wear, and immediately put equipment out of service until any faulty parts found are repaired or replaced. Check for rust or paint loss and touch-up if necessary with paint. Check welded areas and verify integrity. Check for cracks, gouges or breakage on plastic, check for integrity of the plastic, keep plastic clean of any extraneous substances, verify that any deformation does not create entrapment as specified on ASTM F1487-98 section 6. Check periodically resilient surfacing for appropriate depth and remove extraneous materials that could cause injury, infection, or disease. Maintain detailed installation, inspection, maintenance, and repair records for each public-use playground equipment.

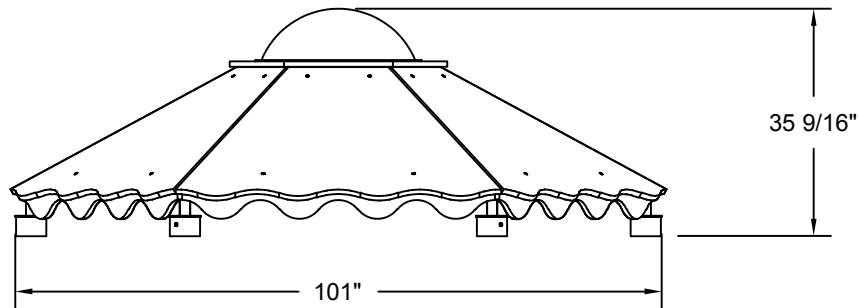


FINISHED ASSEMBLY

MODEL NO. 60146 Hex Roof

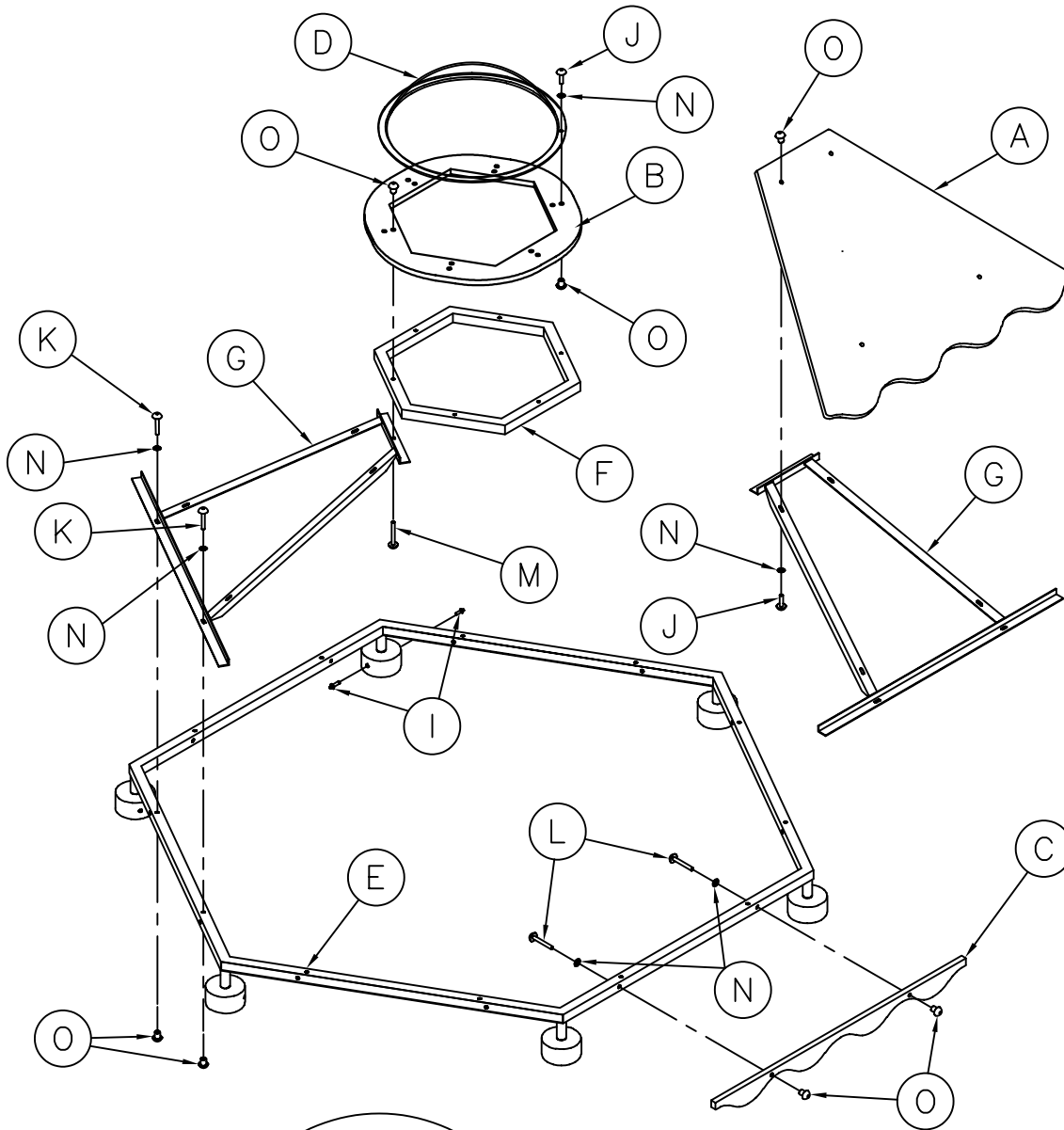


PLAN VIEW

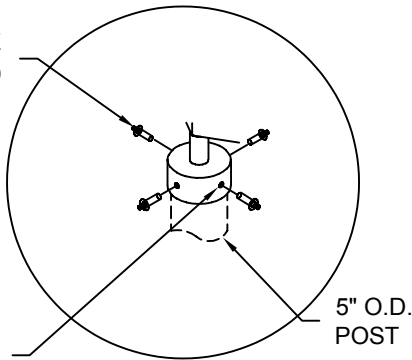


ELEVATION VIEW

MODEL NO. 60146 Hex Roof



1/4" x 1/2" DRIVE RIVET (805301)



NOTE: FIELD DRILL (4) Ø9/32" HOLES 90° APART FOR DRIVE RIVETS

HEX ROOF ASSEMBLY

A = ROOF PANEL	(6)
B = HEX RING PANEL	(1)
C = CURTAIN PANEL	(6)
D = CLEAR LEXAN BUBBLE	(1)
E = HEX ROOF BASE FRAME	(1)
F = HEX ROOF TOP FRAME	(1)
G = HEX ROOF BRACING FRAME	(6)
I = 1/4" x 1/2" DRIVE RIVET	(24)
J = 3/8" x 3/4" HEX PINNED BOLT	(30)
K = 3/8" x 1 1/2" P.B.H.C.S. w/PATCH	(12)
L = 3/8" x 2 1/4" P.B.H.C.S. w/PATCH	(12)
M = 3/8" x 2 1/2" CARRIAGE BOLT	(6)
N = 3/8" FLATWASHER	(54)
O = BARREL NUT	(60)