

MODEL NO. 60155 Loop Arch Climber w/Panels - 3'

PARTS LIST

DESCRIPTION	No. REQ'D	PART NUMBER
Loop Arch Side Panel	2	301254
Loop Arch Climber for Panels - 5 Loops	1	300683
Hardware Complete	1	303202
5" O.D. Turned Clamp w/o bushing	2	302570*
1/4" x 3/4" Drive Rivet	2	168449*
3/8" Barrel Nut	2	804804*
3/8" Flat Washer	4	817410*
3/8" Heavy Hex Nut	2	804200*
3/8" x 1 1/2" P.B.H.C.S. w/Patch	2	812053*
3/8" x 1 1/4" P.B.H.C.S. w/Patch	2	812051*
3/8" x 2" P.B.H.C.S. w/Patch	2	812055*
3/8" x 2 1/4" P.B.H.C.S. w/Patch	2	812056*
3/8" Lock Nut	2	804353*
3/8" Flat Washer (1 1/4" O.D.)	2	817424*

*Unless Otherwise Specified, All Units of Measure are Each
* Included in Hardware*

Warning: Small parts and hardware items may present a potential choking hazard. Promptly remove all unused parts from play area.

SPECIFICATIONS:

Clamps are cast from a 356 high-strength aluminum alloy and coated with a polyester powder coated finish.

Loop Arch Climber Frame is fabricated from 1-5/16" O.D. 14-gauge galvanized steel tubing using only stainless steel welds with a baked on polyester powder-coat finish after fabrication. Panels are cut from a single sheet of high-density .850" thick extruded solid polyethylene with color molded in and UV-stabilized.

All hardware is stainless steel.

Weight: 82 lb. / 37.3 kg.

INSTALLATION INSTRUCTIONS:

1. Dig footing holes at appropriate locations and position the lower ends of Loop Arch Climber into footing holes.
2. Attach the top loop of Loop Arch Climber to Deck's flange using 3/8" x 2" P.B.H.C.S. w/Patch, 3/8" Flat Washers (1 1/4" O.D.) and 3/8" Lock Nuts as shown in the assembly diagram.
3. Attach Side Panels to Posts using Turned Clamps (Refer to sub-assembly Clamp for details), 3/8" x 2-1/4" P.B.H.C.S. w/Patch, 3/8" Flat Washers and 3/8" Barrel Nuts as shown in the assembly drawing. Bottom edge of Panel should be flush with Deck surface.
4. Mark and drill hole on panel to secure the panel to Loop Arch Climber. Use 3/8" x 1-1/4" P.B.H.C.S. w/Patch and 3/8" Flat Washers as shown.
5. Plumb and level the entire Loop Arch Climber and tighten all fasteners.
6. Pour concrete footing within 4" to the top and taper away from posts to allow water drainage. Allow curing at least 48 hours before use.

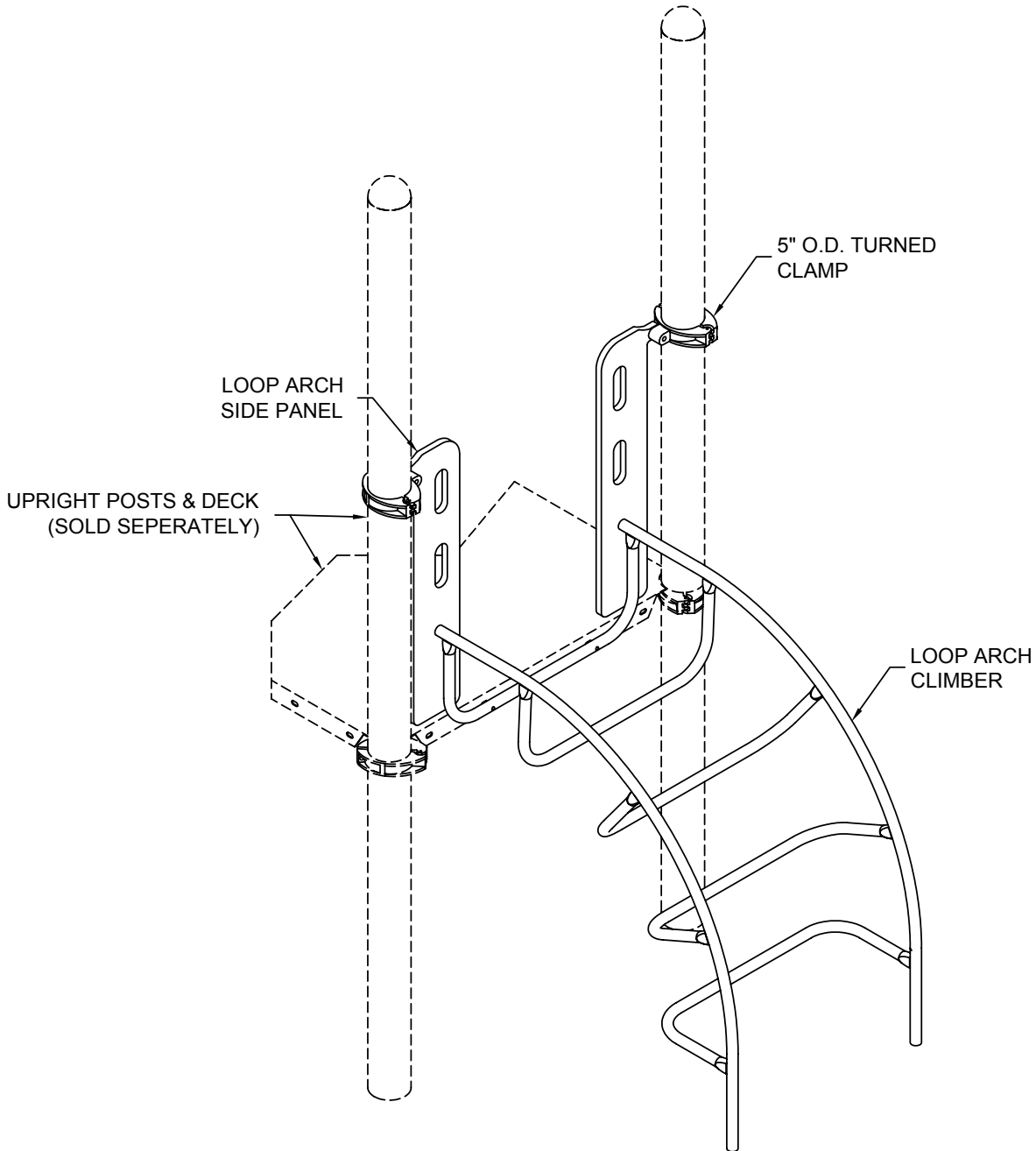
MODEL NO. 60155 Loop Arch Climber w/Panels - 3'

7. When the assembly is finished and satisfactory, install Drive Rivets in all clamps to ensure clamps cannot slide down posts. See Clamp sub-assembly sheet. **It is very important that all Drive Rivets be installed prior to allowing use of the equipment, as clamps are not designed to support substantial weight without them.** Also eliminate sharp points and sharp edges (burring) on installed hardware like bolts, nuts, etc.
8. Install resilient surfacing material within the use zone of play structure in accordance with ASTM specifications F1292 appropriate for the fall height of each structure. Refer to the Safety Guidelines.

MAINTENANCE PROCEDURE:

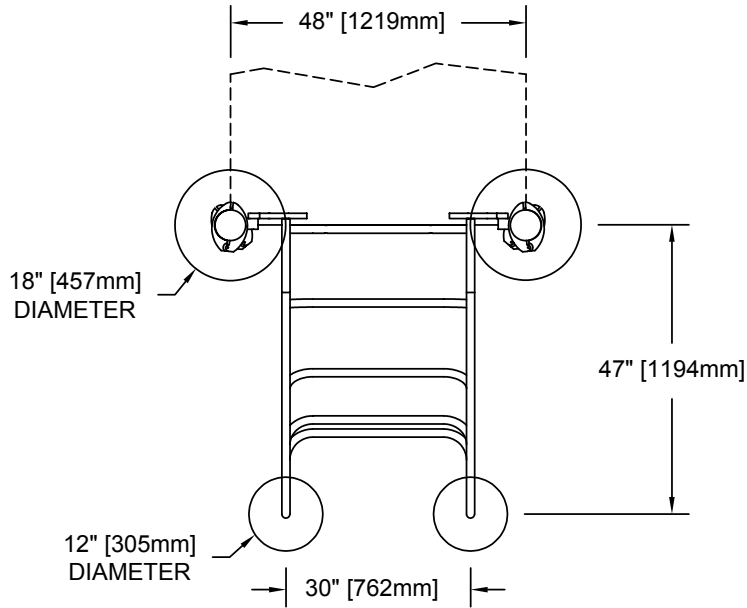
Periodically check hardware for tightness, and tighten as necessary. Always check all parts for breakage or wear, and immediately put equipment out of service until any faulty parts found are repaired or replaced. Check for rust, paint loss and touch-up if necessary with paint. Check for welded areas and verify integrity. Check for cracks, gouges or breakage on plastic, check for integrity of the plastic, keep plastic clean of any extraneous substances, verify that any deformation does not create entrapment as specified on ASTM F1487-98 section 6. Check periodically resilient surfacing for appropriate depth and remove extraneous materials that could cause injury, infection, or disease. Maintain detailed installation, inspection, maintenance, and repair records for each public-use playground equipment.

MODEL NO. 60155 Loop Arch Climber w/Panels - 3'

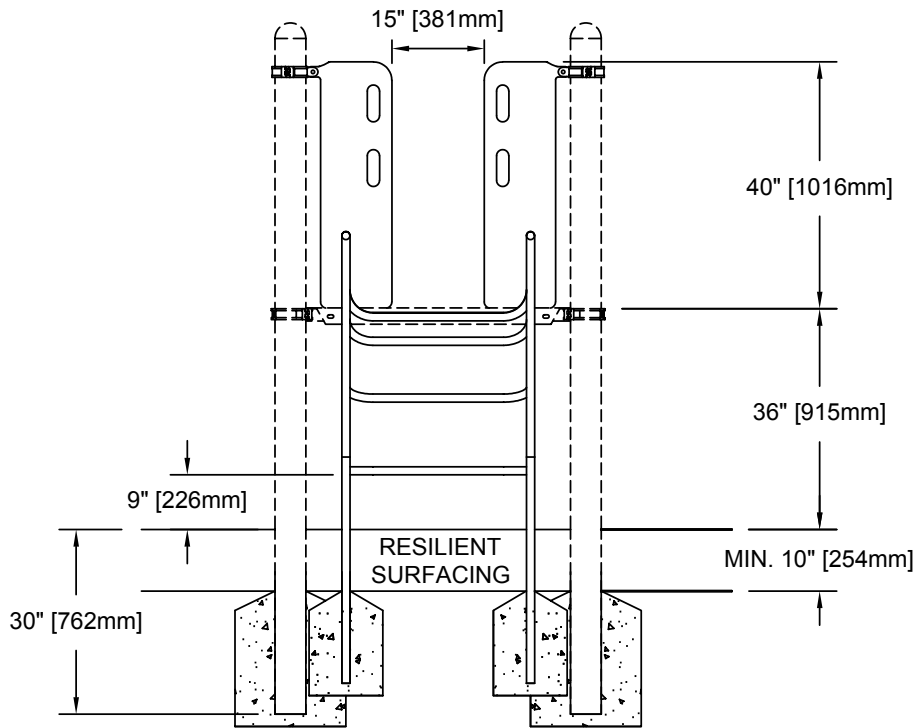


FINISHED ASSEMBLY

MODEL NO. 60155 Loop Arch Climber w/Panels - 3'

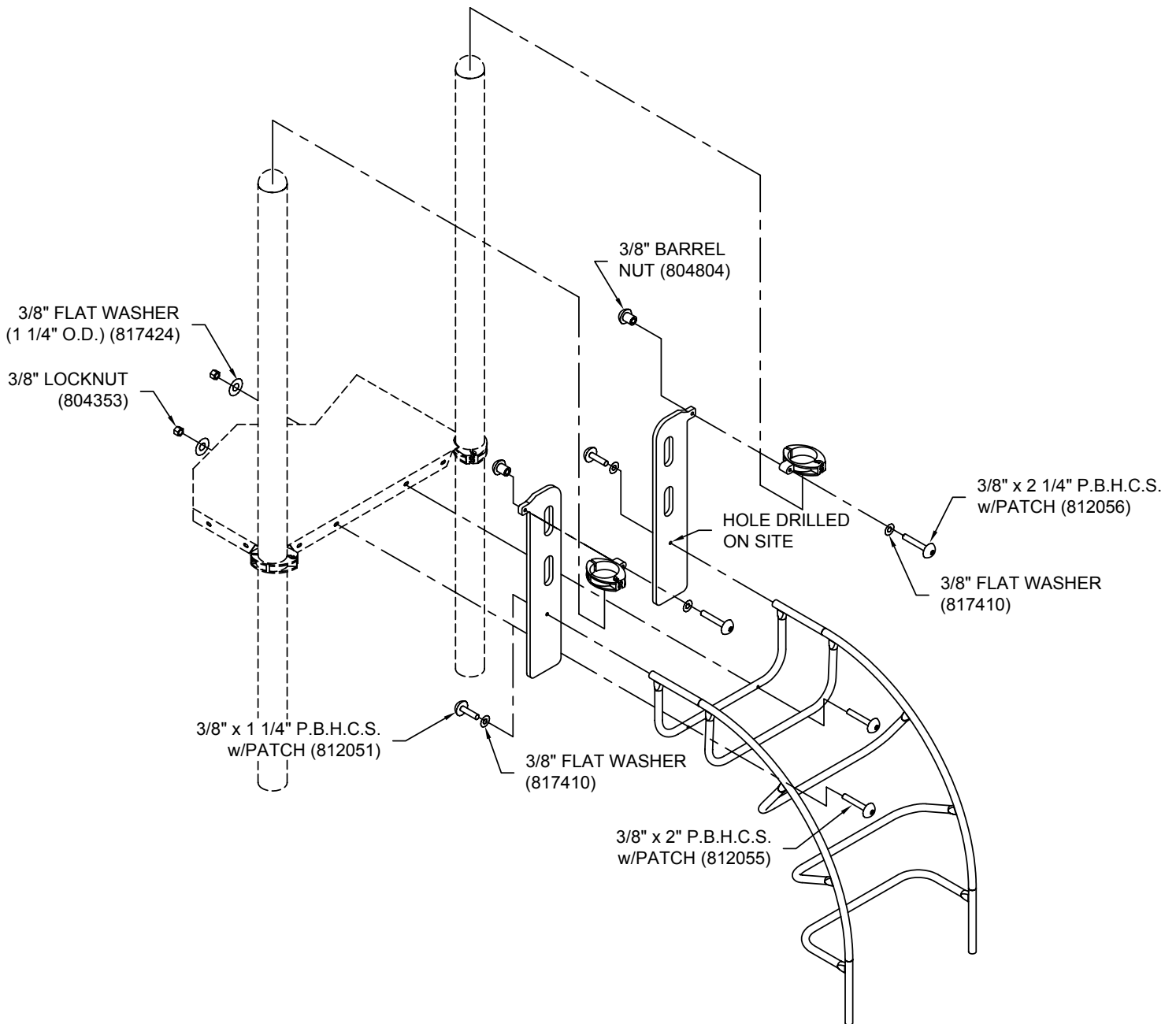


PLAN VIEW



ELEVATION VIEW

MODEL NO. 60155 Loop Arch Climber w/Panels - 3'



LOOP ARCH CLIMBER ASSEMBLY