

MODEL NO. 60159 Flower Maze Panel

PARTS LIST

DESCRIPTION	No. REQ'D	PART NUMBER
Pre-assembled Flower Maze Panel	1	301335
Panel Side Bracket	2	300668
Hardware Complete	1	303212
5" O.D. Pipe Clamp	4	302030*
1/4" x 3/4" Drive Rivet	4	168449*
3/8" Barrel Nut	6	804804*
3/8" Flat Washer	6	817410*
3/8" Heavy Hex Nut	4	804200*
3/8" x 1 1/2" P.B.H.C.S. w/Patch	4	812053*
3/8" x 3/4" P.B.H.C.S. w/Patch	6	812052*
3/8" Lock Nut	4	804353*

*Unless Otherwise Specified, All Units of Measure are Each
* Included in Hardware*

Warning: Small parts and hardware items may present a potential choking hazard. Promptly remove all unused parts from play area.

SPECIFICATIONS:

Clamps are cast from a 356 high-strength aluminum alloy with a baked on polyester powder-coated finish. Panel Side Brackets are fabricated from 3/16" steel angle with 1-5/16" O.D. 14-gauge galvanized steel tubing welded for attachment. All brackets are powder-coated. Panel is cut from a sheet of high density .850" thick extruded solid polyethylene with color molded in and UV-stabilized.

All hardware is stainless steel.

Weight: 69 lbs. / 31 kg.

INSTALLATION INSTRUCTIONS:

1. Attach Panel Side Brackets to Pre-assembled Flower Maze Panel using 3/8" x 3/4" P.B.H.C.S. w/Patch with 3/8" Flat Washers and Barrel Nuts as shown in the assembly drawing. Note: Bolts and Panel Side Brackets are on the other side of the child play area.
2. Fasten Flower Maze Panel assembly to upright Posts using Pipe Clamps (refer to separate Pipe Clamp fastening detail) so that lower Pipe Clamp is 10" above finished ground level or deck. Bottom edge of Panel should be flush with deck surface.

IMPORTANT! Avoid creating any Gaps between the components, which fall between 3-1/2" and 9". It has been shown that such gaps create entrapment points which can trap a child and cause injury.

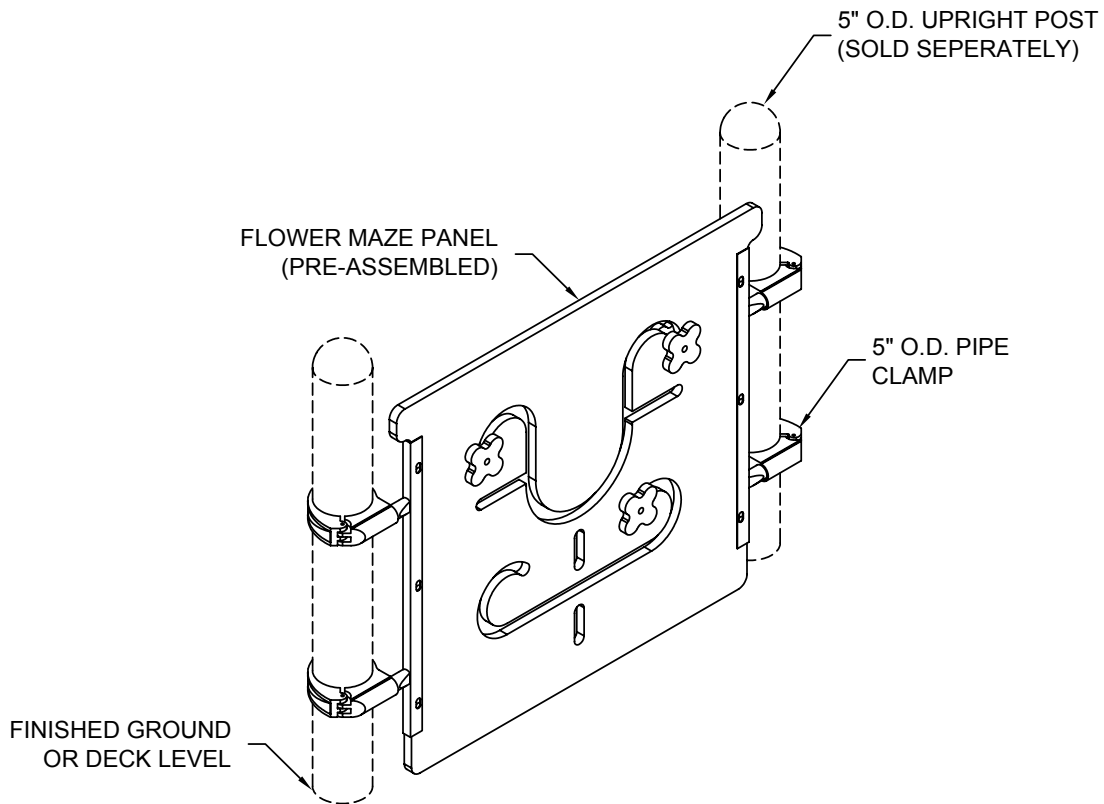
3. Plumb the Flower Maze Panel assembly and tighten Pipe Clamp fasteners.
4. When the assembly is finished and satisfactory, install Drive Rivets in all clamps to ensure clamps cannot slide down posts. See Pipe Clamp sub-assembly sheet. **It is very important that all Drive Rivets be installed prior to allowing use of the equipment, as clamps are not designed to support substantial weight without them.** Eliminate sharp points and sharp edges (burring) on installed hardware like bolts, nuts, etc. Install resilient surfacing material within the use zone of play structure in accordance with ASTM specifications F1292 appropriated for the fall height of each structure. Refer to the Safety Guidelines.

MODEL NO. 60159 Flower Maze Panel

MAINTENANCE PROCEDURE:

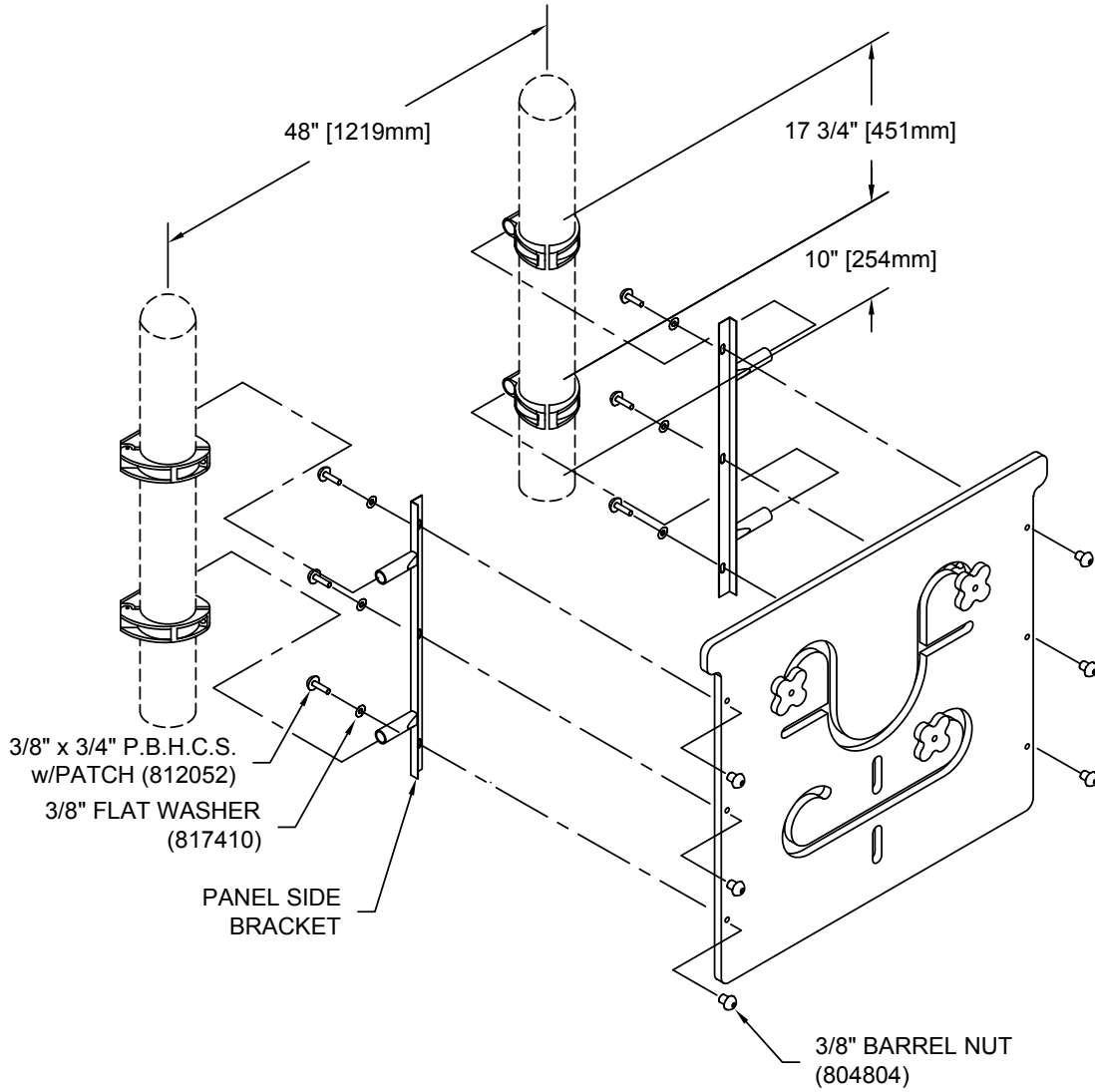
Periodically check hardware for tightness, and tighten as necessary. Always check all parts for breakage or wear, and immediately put equipment out of service until any faulty parts found are repaired or replaced. Check for rust, paint peeling and touch-up if necessary with paint. Check for welded areas and verify integrity. Check for cracks, gouges or breakage on plastic, check for integrity of the plastic, keep plastic clean of any extraneous substance, verify that any deformation does not create entrapment as specified on ASTM F1487-95 section 6. Check periodically resilient surfacing for appropriate depth and remove extraneous materials that could cause injury, infection, or disease. Maintain detailed installation, inspection, maintenance, and repair records for each public-use playground equipment.

MODEL NO. 60159 Flower Maze Panel



FINISHED ASSEMBLY

MODEL NO. 60159 Flower Maze Panel



FLOWER MAZE PANEL ASSEMBLY