

MODEL NO. 60161 Arch Bridge w/Guard Rails-8'

PARTS LIST

DESCRIPTION	NO. REQ'D	PART NUMBER
Arch Bridge	1	300503
Guard Rail	2	301017
Mounting Bracket	2	301026
Hardware Complete	1	303218
5" O.D. Deck Clamp	8	301989*
1/4" x 3/4" Drive Rivet	8	168449*
3/8" Barrel Nut	8	804804*
3/8" x 1" Carriage Bolt	8	800253*
3/8" Flat Washer	8	817410*
3/8" Heavy Hex Nut	8	804200*
3/8" x 1 1/2" P.B.H.C.S. w/Patch	8	812053*
3/8" x 1 1/4" P.B.H.C.S. w/Patch	8	812051*
3/8" x 1 3/4" P.B.H.C.S. w/Patch	8	812054*
3/8" Lock Nut	16	804353*
3/8" Wide Flat Washer (1 1/4" O.D.)	24	817424*

*Unless Otherwise Specified, All Units of Measure are Each
Included in Hardware

Warning: Small parts and hardware items may present a potential choking hazard. Promptly remove all unused parts from play area.

SPECIFICATIONS:

Clamps are cast from a 356 high-strength aluminum alloy with a baked on polyester powder-coated finish. The Arch Bridge is fabricated from 11-gauge thick HR steel with steel flat support bars welded underneath to increase strength. After welding, the entire bridge is Plastisol coated with a thickness of 80 mils minimum. The Guard Rail is fabricated from 1-5/16" O.D. galvanized steel tubing with 'L' fitting stainless steel welded for attachment. The entire Guard Rail receives a baked on polyester powder-coated finish. The Mounting Brackets are fabricated from 11-gauge sheet with pre-punched attachment holes and baked on polyester powder-coated finish after fabrication.

All hardware is stainless steel.

Weight: 321 lb. / 145.9 kg

INSTALLATION INSTRUCTIONS:

1. Select the appropriate Upright Posts to receive the Arch Bridge. Refer to your overhead drawing. Dig the footings as shown in the assembly diagram.
2. Attach Mounting Brackets to Arch Bridge and Decks using 3/8" x 1-1/4" P.B.H.C.S. w/ Patch with 3/8" Wide Flat Washers, 3/8" Lock Nuts with 3/8" Wide Flat Washers, 3/8" x 1" Carriage Bolts and Lock Nuts with 3/8" Wide Flat (Fender) Washers as shown in the assembly diagram. NOTE: Lock Nuts and Wide Flat Washers go underneath the Arch Bridge side.
3. Attach Guard Rails to Deck Clamps using 3/8" x 1-3/4" P.B.H.C.S. w/ Patch with 3/8" Flat Washers and 3/8" Barrel Nuts as shown in the assembly diagram then attach to Upright Posts (refer to Deck Clamp Sub-assembly for detail).

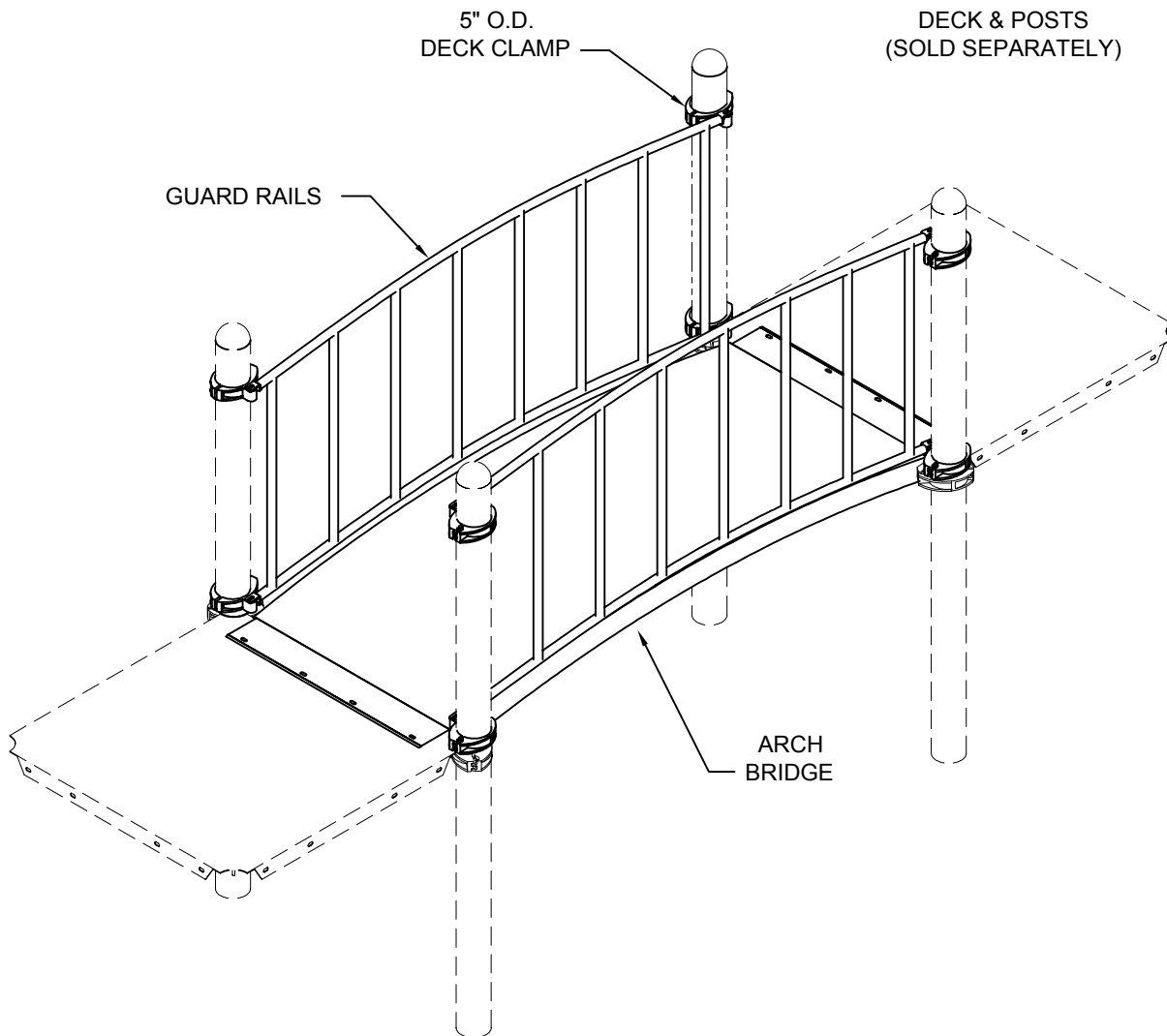
MODEL NO. 60161 Arch Bridge w/Guard Rails-8'

4. Plumb and level the entire Arch Bridge and fully tighten all Deck Clamps and fasteners. Eliminate sharp points and sharp edges (burring) on installed hardware like bolts, nuts, etc. Pour concrete footings within 4" to the top and taper away from posts to allow water drainage. Allow to cure at least 48 hours before use.

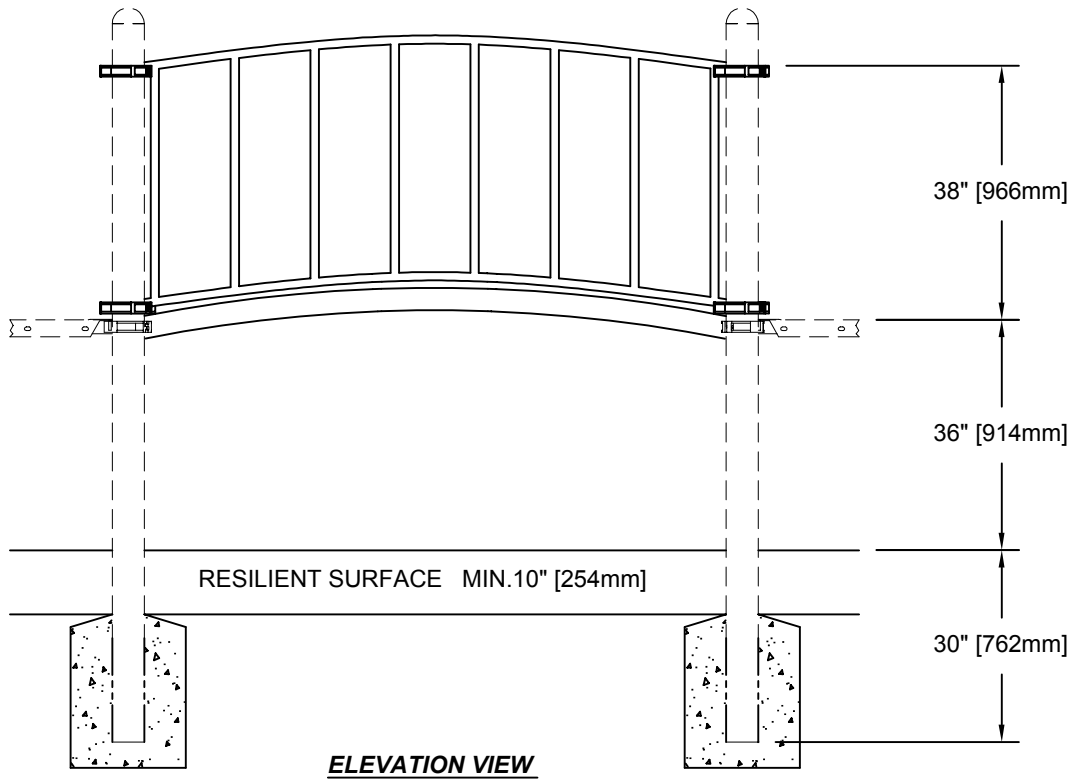
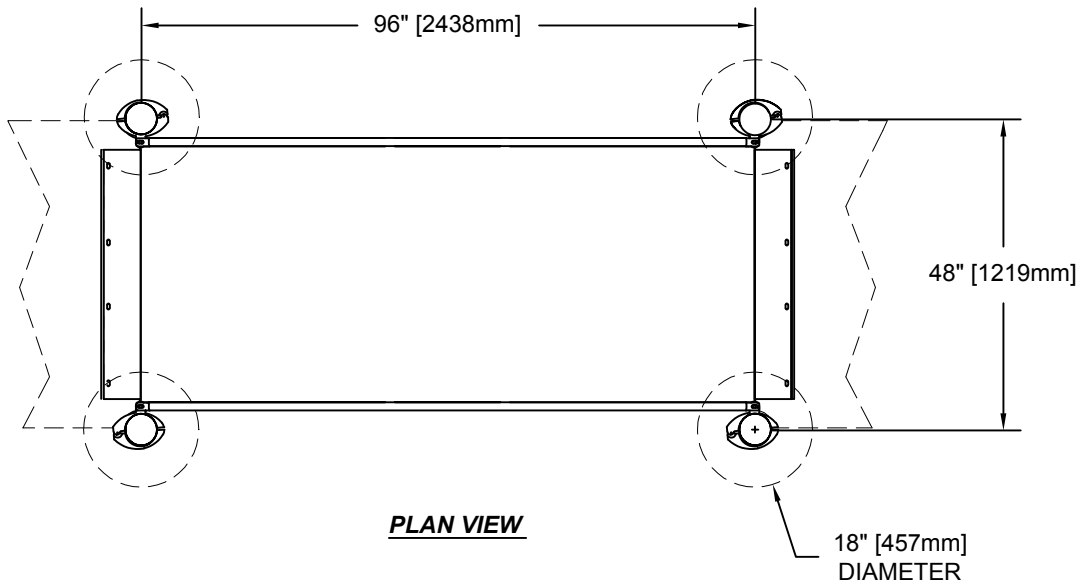
MAINTENANCE PROCEDURE:

Periodically check hardware for tightness, and tighten as necessary. Always check all parts for breakage or wear, and immediately put equipment out of service until any faulty parts found are repaired or replaced. Check for rust or paint loss and touch-up if necessary with paint. Check welded areas and verify integrity. Check periodically resilient surfacing for appropriate depth and remove extraneous materials that could cause injury, infection, or disease. Maintain detailed installation, inspection, maintenance, and repair records for each public-use playground equipment.

MODEL NO. 60161 Arch Bridge w/Guard Rails-8'



MODEL NO. 60161 Arch Bridge w/Guard Rails-8'



MODEL NO. 60161 Arch Bridge w/Guard Rails-8'

