

MODEL NO. 60161 Arch Bridge w/ Barrier Wall- 8'

PARTS LIST

DESCRIPTION	NO. REQ'D	PART NUMBER
Arch Bridge	1	300503
Barrier Wall	2	301017
Mounting Bracket	2	301026
Hardware Complete	1	303218
5" O.D. Deck Clamp	8	301989*
1/4" x 3/4" Drive Rivet	8	168449*
3/8" Barrel Nut	8	804804*
3/8" x 1" Carriage Bolt	8	800253*
3/8" Flat Washer	8	817410*
3/8" Heavy Hex Nut	8	804200*
3/8" x 1 1/2" P.B.H.C.S. w/Patch	8	812053*
3/8" x 1 1/4" P.B.H.C.S. w/Patch	8	812051*
3/8" x 1 3/4" P.B.H.C.S. w/Patch	8	812054*
3/8" Lock Nut	16	804353*
3/8" Wide Flat Washer (1 1/4" O.D.)	24	817424*

*Unless Otherwise Specified, All Units of Measure are Each
* Included in Hardware*

Warning: Small parts and hardware items may present a potential choking hazard. Promptly remove all unused parts from play area.

SPECIFICATIONS:

Clamps are cast from a 356 high-strength aluminum alloy with a baked on polyester powder-coated finish. The Arch Bridge is fabricated from pre-punched steel sheet 12-gauge thick with steel flat support bars welded underneath to increase strength. After welding, the entire bridge is Plastisol coated with a thickness of 50 to 80 mils on top wear surface. Average perforation size is 5/16" diameter after coating. The Barrier Wall is fabricated from 1-5/16" O.D. 14-gauge galvanized steel tubing with 'L' fitting stainless steel welded for attachment. The entire Barrier Wall receives a baked on polyester powder-coated finish. The Mounting Brackets are fabricated from 11-gauge galvanized sheet with pre-punched attachment holes and baked on polyester powder-coated finish after fabrication.

All hardware is stainless steel.

Weight: 321 lb. / 145.9 kg

INSTALLATION INSTRUCTIONS:

1. Select the appropriate Upright Posts to receive the Arch Bridge. Refer to your overhead drawing. Dig the footings as shown in the assembly diagram.
2. Attach Mounting Brackets to Arch Bridge and Decks using 3/8" x 1-1/4" P.B.H.C.S. w/ Patch with 3/8" Wide Flat Washers, 3/8" Lock Nuts with 3/8" Wide Flat Washers, 3/8" x 1" Carriage Bolts and Lock Nuts with 3/8" Wide Flat (Fender) Washers as shown in the assembly diagram. NOTE: Lock Nuts and Wide Flat Washers go underneath the Arch Bridge side.
3. Attach Barrier Walls to Deck Clamps using 3/8" x 1-3/4" P.B.H.C.S. w/ Patch with 3/8" Flat Washers and 3/8" Barrel Nuts as shown in the assembly diagram then attach to Upright Posts (refer to Deck Clamp Sub-assembly for detail).

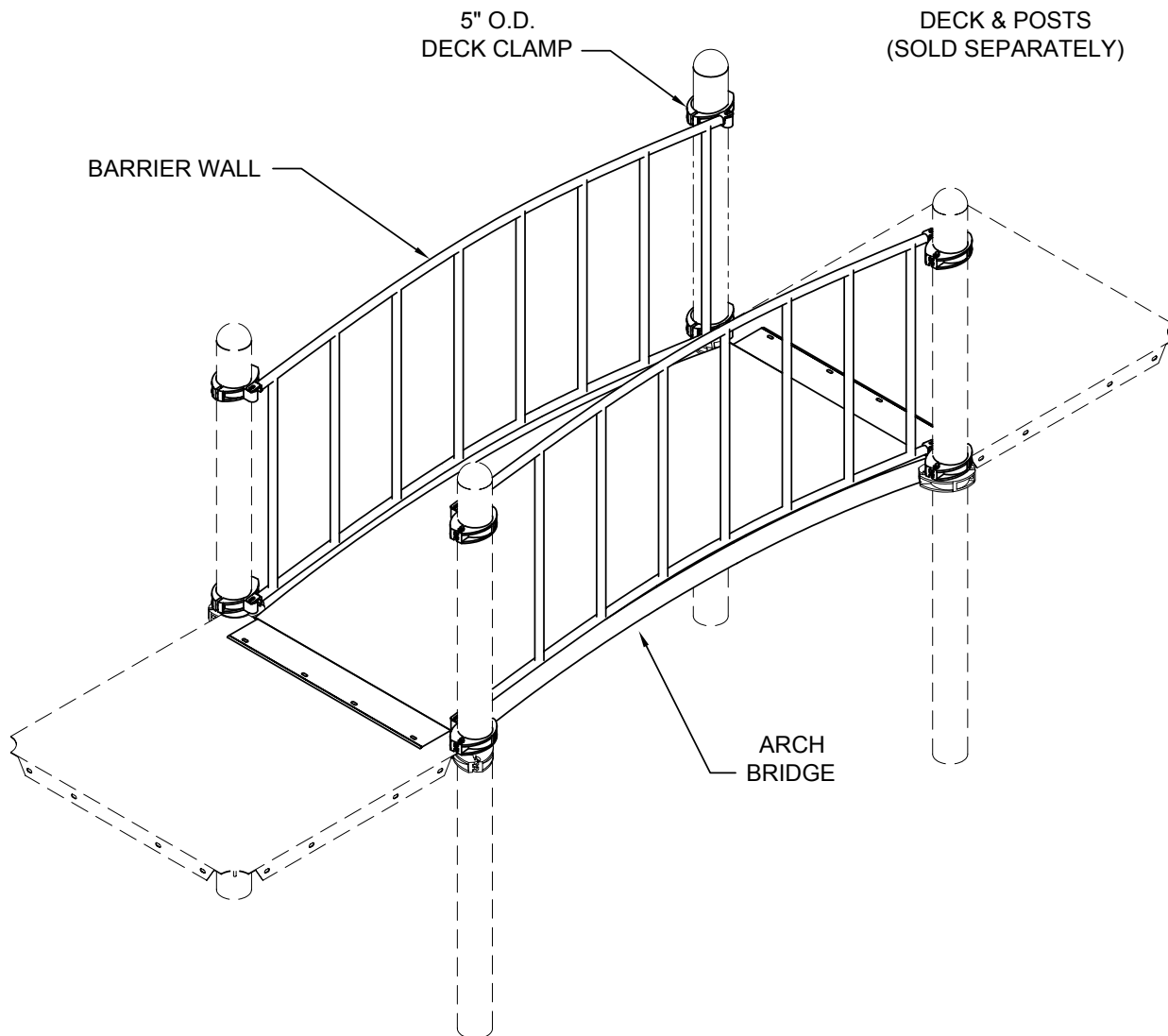
MODEL NO. 60161 Arch Bridge w/ Barrier Wall- 8'

4. Plumb and level the entire Arch Bridge and fully tighten all Deck Clamps and fasteners. Eliminate sharp points and sharp edges (burring) on installed hardware like bolts, nuts, etc. Pour concrete footings within 4" to the top and taper away from posts to allow water drainage. Allow to cure at least 48 hours before use.

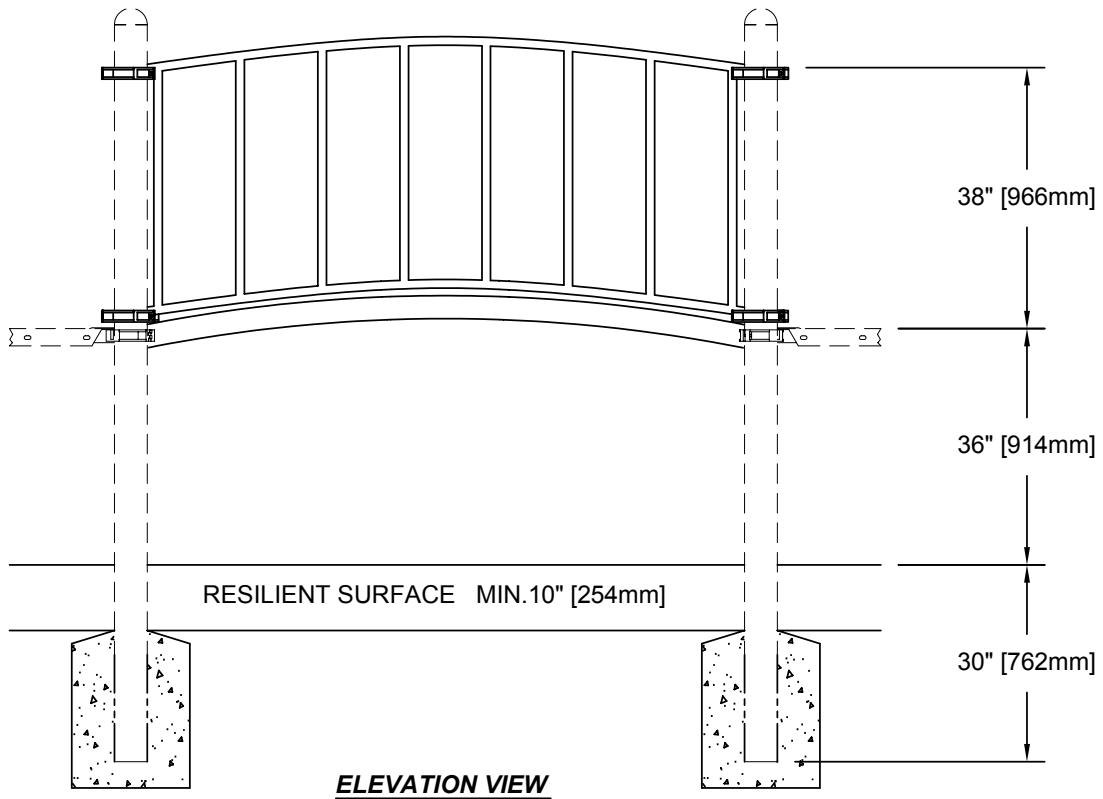
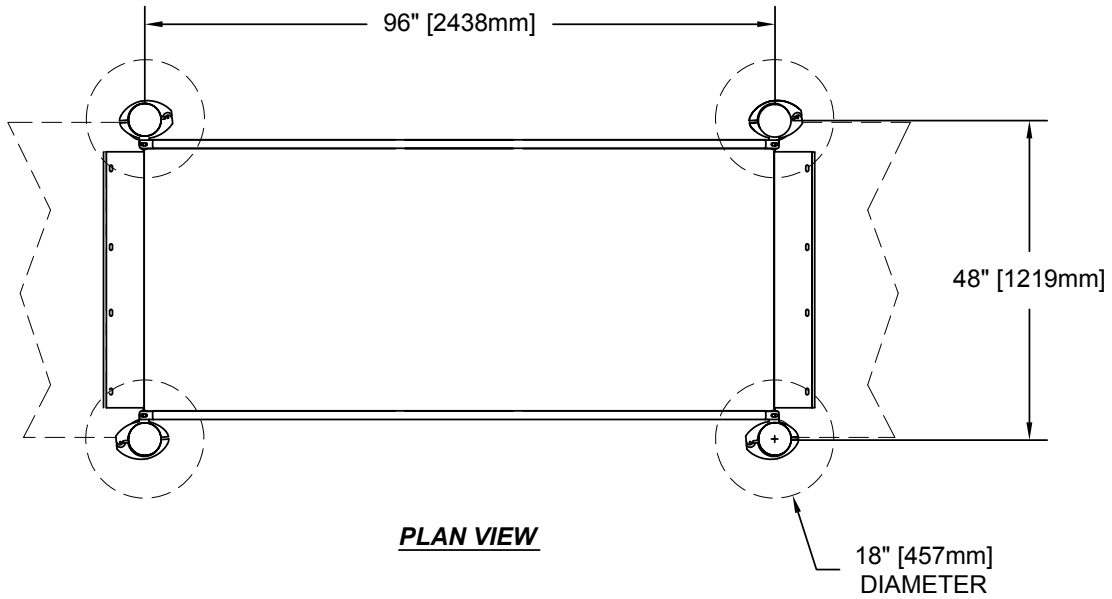
MAINTENANCE PROCEDURE:

Periodically check hardware for tightness, and tighten as necessary. Always check all parts for breakage or wear, and immediately put equipment out of service until any faulty parts found are repaired or replaced. Check for rust or paint loss and touch-up if necessary with paint. Check welded areas and verify integrity. Check periodically resilient surfacing for appropriate depth and remove extraneous materials that could cause injury, infection, or disease. Maintain detailed installation, inspection, maintenance, and repair records for each public-use playground equipment.

MODEL NO. 60161 Arch Bridge w/ Barrier Wall- 8'



MODEL NO. 60161 Arch Bridge w/ Barrier Wall- 8'



MODEL NO. 60161 Arch Bridge w/ Barrier Wall- 8'

