

MODEL NO. 60162 Chain Climber (5'4" and 6' Deck)

PARTS LIST

DESCRIPTION	NO. REQ'D	PART NUMBER
Arch Barrier Ass'y	1	305992
Lower Pipe	1	300684
Upper Bracket	1	300690
Chain Climber Ass'y	1	300720
Hardware Complete	1	306082
5" O.D. Deck Clamp	2	301989*
1/4" x 3/4" Drive Rivet	4	168449*
3/8" Flat Washer	6	817410*
3/8" Heavy Hex Nut	2	804200*
3/8" x 1 1/2" P.B.H.C.S. w/Patch	2	812053*
3/8" x 1 1/4" P.B.H.C.S. w/Patch	4	812051*
3/8" Lock Nut	4	804353*
3/8" Barrel Nut	2	804804*
3/8" Wide Flat Washer (1 1/4" O.D.)	4	817424*

*Unless Otherwise Specified, All Units of Measure are Each
* Included in Hardware*

Warning: Small parts and hardware items may present a potential choking hazard. Promptly remove all unused parts from play area. Any bolt end protruding more than two full threads beyond the face of the nut causes risk of clothing entanglement. Promptly cut-off flush, file smooth, and treat to prevent corrosion.

Note: Peen Tee-Nuts and Flatwashers to match radius of pipe after assembly is complete.

SPECIFICATIONS:

Clamps are cast from a 356 high-strength aluminum alloy and coated with a baked on polyester powder-coated finish.

Chain Climber Upper Bracket with loops is fabricated from 1/4" thick steel plate with loops bent from 3/8" O.D stainless steel rod and stainless steel welded to plate.

Chain Climber Lower Pipe with loops is fabricated from 1-5-16" O.D. galvanized steel tubing with loops bent from 3/8" stainless steel rod and stainless steel welded to tubing.

Chain Climber is factory-assembled using 1" O.D. x galvanized steel tubes as rungs mechanically fastened to 1/4" Grade-30 ISO Proof Coil Galvanized Chain. Heavy-duty 3/8" x 3" plated "S" hooks are crimped at the end of the chain, and the entire assembly is plastisol-coated. No welds are used in this assembly.

All hardware is stainless steel.

Weight: 72 lb. / 33 kg

INSTALLATION INSTRUCTIONS:

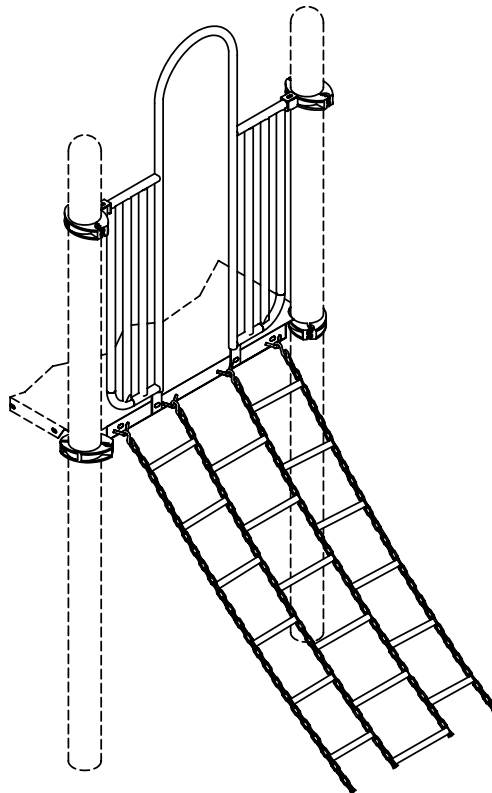
1. Dig footings at locations as shown in Footing Diagram. Note that footing distances are for 5'4" and 6' high deck.
2. Attach Chain Climber Upper Bracket to Deck outer flange using 3/8" x 1-1/4" P.B.H.C.S. w/ Patch, Flat Washers, Wide Flat Washers and 3/8" Lock Nuts as shown in assembly drawing. Loops should be oriented downward. Slide "S" hooks over top of loops and stretch Chain Climber to the Ground to determine exact location for Lower Pipe support.
3. Position Lower Pipe Support in footing holes, plumb, level and brace the Pipe in position. Note that Lower Bracket must be below surfacing and should never become exposed. Pour concrete footing within 4" to the top and taper away from Posts for good water drainage. Allow curing at least 48 hours before proceeding. Note: Remove Chain Climber while curing to discourage climbing.

MODEL NO. 60162 Chain Climber (5'4" and 6' Deck)

4. Fully fasten the Upper Bracket and attach the Chain Climber assembly to the Upper Bracket and Lower Pipe support by crimping all "S" hooks fully closed over loops. "S" hooks should be facing downward as Shown in Detail 'A'.
5. Attach Arch Barrier to Upright Posts using 5" O.D. Deck Clamps. Refer to Sub-assembly sheet or Detail 'B'. Note that top of Arch Barrier should be 40 13/16" above Deck height.
6. When the structure is finished and satisfactory, install Drive Rivets in all large clamps to ensure clamps can not slide down posts. See Deck Clamps sub-assembly sheet. **It is very important that all Drive Rivets be installed prior to allowing use of equipment, as clamps are not designed to support substantial weight without them.** Eliminate sharp points and sharp edges (burring) on installed hardware like bolts, nuts, etc. Install resilient surfacing material within the use zone of play structure in accordance with ASTM specifications F1292 appropriate for the fall height of each structure. Refer to the Safety Guidelines.

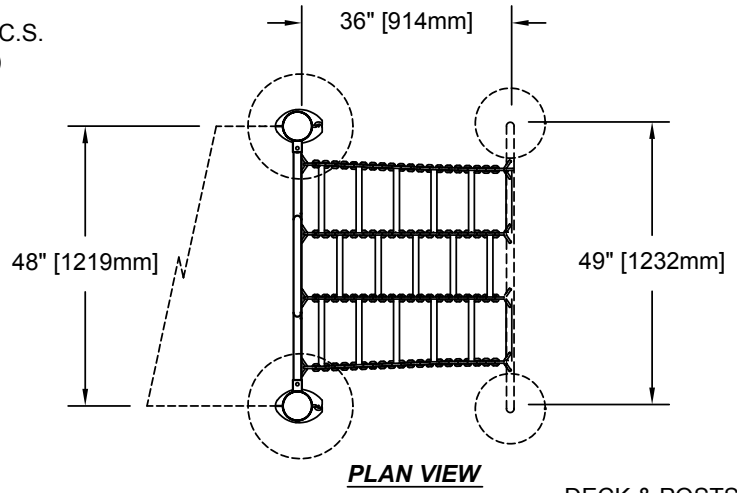
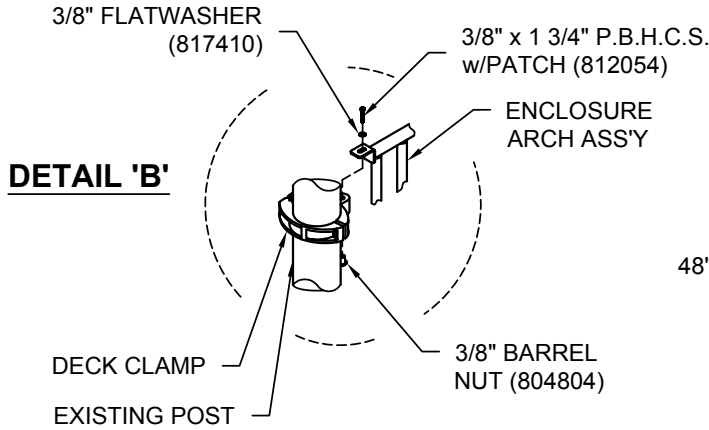
MAINTENANCE PROCEDURE:

Periodically check hardware for tightness, and tighten as necessary. Always check all parts for breakage or wear, and immediately put equipment out of service until any faulty parts found are repaired or replaced. Check for rust or paint loss and touch-up if necessary with paint. Check welded areas and verify integrity. Check periodically resilient surfacing for appropriate depth and remove extraneous materials that could cause injury, infection, or disease. Maintain detailed installation, inspection, maintenance, and repair records for each public-use playground equipment.

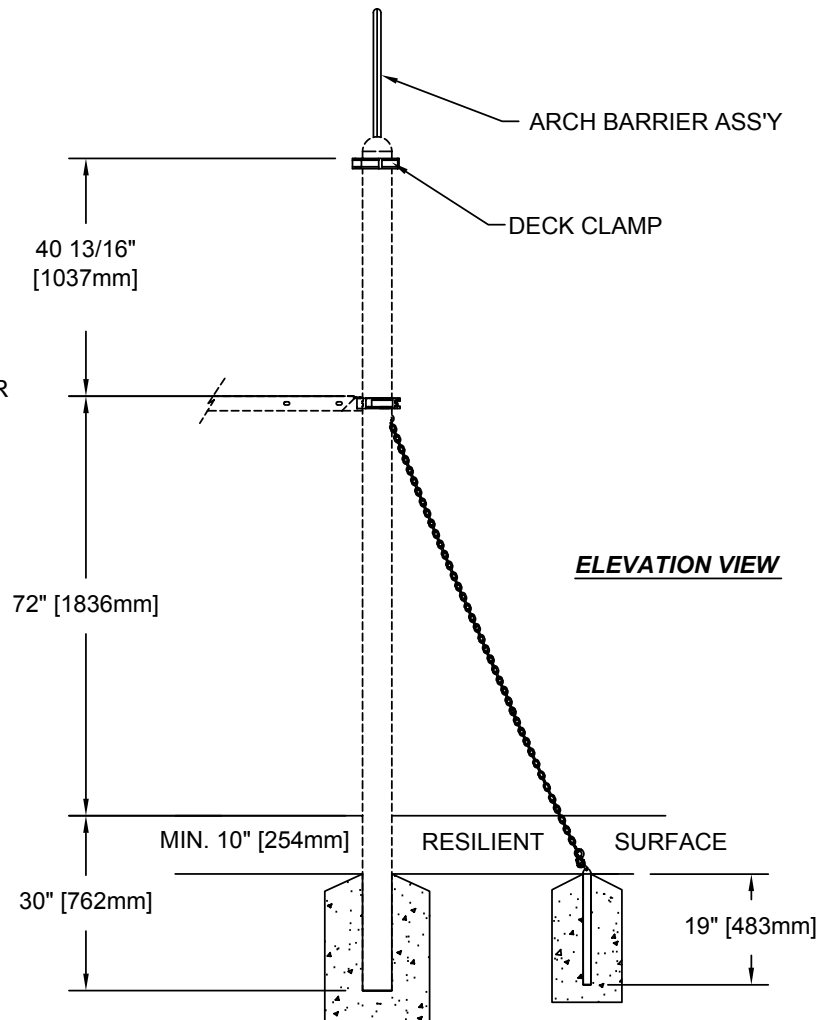
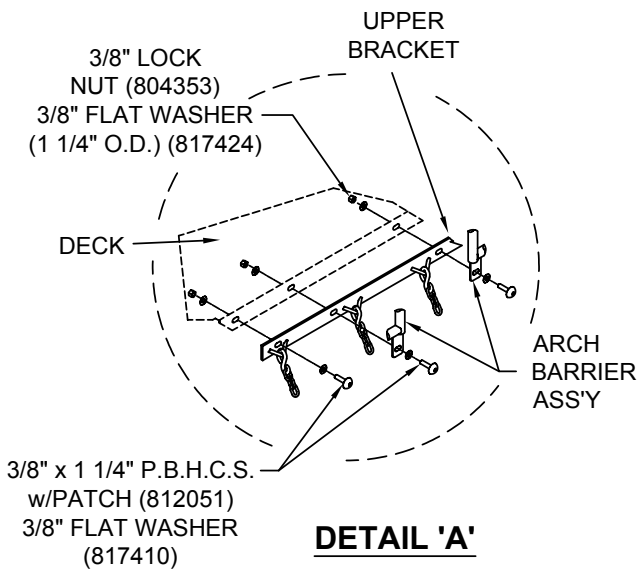


FINISHED ASSEMBLY

MODEL NO. 60162 Chain Climber (5'4" and 6' Deck)



DECK & POSTS
(SOLD SEPARATELY)



FULLY CRIMP SHUT ALL 'S' HOOKS BEFORE ALLOWING USE OF EQUIPMENT.